

SECTION LAN
LAN SYSTEM

A
B
C

CONTENTS

D
E

CAN FUNDAMENTAL

PRECAUTION	15	Caution	30	F
PRECAUTIONS	15	Abbreviation List	30	
Precautions for Trouble Diagnosis	15	PRECAUTION	31	G
Precautions for Harness Repair	15	PRECAUTIONS	31	
SYSTEM DESCRIPTION	16	Precaution for Supplemental Restraint System (SRS) "AIR BAG" and "SEAT BELT PRE-TENSIONER"	31	H
SYSTEM	16	Precautions for Trouble Diagnosis	31	
CAN COMMUNICATION SYSTEM	16	Precautions for Harness Repair	31	I
CAN COMMUNICATION SYSTEM : System Description	16	SYSTEM DESCRIPTION	33	
CAN COMMUNICATION SYSTEM : System Diagram	16	COMPONENT PARTS	33	J
CAN COMMUNICATION SYSTEM : CAN Communication Control Circuit	17	Component Parts Location	33	
DIAG ON CAN	17	SYSTEM	34	K
DIAG ON CAN : Description	17	CAN COMMUNICATION SYSTEM	34	
DIAG ON CAN : System Diagram	18	CAN COMMUNICATION SYSTEM : CAN System Specification Chart	34	L
TROUBLE DIAGNOSIS	19	CAN COMMUNICATION SYSTEM : CAN Communication Signal Chart	35	
Condition of Error Detection	19	WIRING DIAGRAM	40	LAN
Symptom When Error Occurs in CAN Communication System	19	CAN SYSTEM (WITH ICC)	40	
CAN Diagnosis with CONSULT	22	Wiring Diagram	40	N
Self-Diagnosis	22	CAN SYSTEM (WITHOUT ICC)	44	
CAN Diagnostic Support Monitor	22	Wiring Diagram	44	O
How to Use CAN Communication Signal Chart	24	BASIC INSPECTION	46	
BASIC INSPECTION	25	DIAGNOSIS AND REPAIR WORKFLOW	46	P
DIAGNOSIS AND REPAIR WORKFLOW	25	Interview Sheet	46	
Trouble Diagnosis Flow Chart	25	DTC/CIRCUIT DIAGNOSIS	47	
Trouble Diagnosis Procedure	25	MALFUNCTION AREA CHART	47	
CAN		System Diagram	47	
HOW TO USE THIS MANUAL	30	CAN Communication Circuit	47	
HOW TO USE THIS SECTION	30			

ITS Communication Circuit	48	MAIN LINE BETWEEN RDR-R AND APA CIR- CUIT	69
MAIN LINE BETWEEN TPMS AND HVAC CIRCUIT	50	Diagnosis Procedure	69
Diagnosis Procedure	50	MAIN LINE BETWEEN APA AND LANE CIR- CUIT	71
MAIN LINE BETWEEN HVAC AND A-BAG CIRCUIT	51	Diagnosis Procedure	71
Diagnosis Procedure	51	ECM BRANCH LINE CIRCUIT	72
MAIN LINE BETWEEN A-BAG AND AV CIR- CUIT	52	Diagnosis Procedure	72
Diagnosis Procedure	52	TPMS BRANCH LINE CIRCUIT	74
MAIN LINE BETWEEN AV AND M&A CIR- CUIT	53	Diagnosis Procedure	74
Diagnosis Procedure	53	CGW BRANCH LINE CIRCUIT (CAN COM- MUNICATION CIRCUIT 1)	75
MAIN LINE BETWEEN M&A AND DLC CIR- CUIT	54	Diagnosis Procedure	75
Diagnosis Procedure	54	CGW BRANCH LINE CIRCUIT (CAN COM- MUNICATION CIRCUIT 2)	76
MAIN LINE BETWEEN DLC AND BCM CIR- CUIT	55	Diagnosis Procedure	76
Diagnosis Procedure	55	HVAC BRANCH LINE CIRCUIT	77
MAIN LINE BETWEEN BCM AND ABS CIR- CUIT	56	Diagnosis Procedure	77
Diagnosis Procedure	56	TCM BRANCH LINE CIRCUIT	78
MAIN LINE BETWEEN BCM AND 4WD CIR- CUIT	58	Diagnosis Procedure	78
Diagnosis Procedure	58	A-BAG BRANCH LINE CIRCUIT	80
MAIN LINE BETWEEN BCM AND ADP CIR- CUIT	59	Diagnosis Procedure	80
Diagnosis Procedure	59	AV BRANCH LINE CIRCUIT	81
MAIN LINE BETWEEN BCM AND RAS CIR- CUIT	60	Diagnosis Procedure	81
Diagnosis Procedure	60	M&A BRANCH LINE CIRCUIT	83
MAIN LINE BETWEEN 4WD AND ABS CIR- CUIT	61	Diagnosis Procedure	83
Diagnosis Procedure	61	DLC BRANCH LINE CIRCUIT	84
MAIN LINE BETWEEN ADP AND ABS CIR- CUIT	63	Diagnosis Procedure	84
Diagnosis Procedure	63	DLC BRANCH LINE CIRCUIT (CAN COMMU- NICATION CIRCUIT 1)	85
MAIN LINE BETWEEN RAS AND ABS CIR- CUIT	65	Diagnosis Procedure	85
Diagnosis Procedure	65	DLC BRANCH LINE CIRCUIT (CAN COMMU- NICATION CIRCUIT 2)	86
MAIN LINE BETWEEN DLC AND ADP CIR- CUIT	67	Diagnosis Procedure	86
Diagnosis Procedure	67	BCM BRANCH LINE CIRCUIT	87
MAIN LINE BETWEEN RDR-L AND RDR-R CIRCUIT	68	Diagnosis Procedure	87
Diagnosis Procedure	68	STRG BRANCH LINE CIRCUIT	88
		Diagnosis Procedure	88
		4WD BRANCH LINE CIRCUIT	89
		Diagnosis Procedure	89
		RAS BRANCH LINE CIRCUIT	90
		Diagnosis Procedure	90
		ABS BRANCH LINE CIRCUIT	91
		Diagnosis Procedure	91

AFS BRANCH LINE CIRCUIT	92	CAN GATEWAY	114	
Diagnosis Procedure	92	Reference Value	114	A
IPDM-E BRANCH LINE CIRCUIT	93	DTC Inspection Priority Chart	114	
Diagnosis Procedure	93	DTC Index	114	B
ADP BRANCH LINE CIRCUIT	94	WIRING DIAGRAM	116	
Diagnosis Procedure	94	CAN GATEWAY SYSTEM	116	C
ICC BRANCH LINE CIRCUIT	95	Wiring Diagram	116	
Diagnosis Procedure	95	BASIC INSPECTION	117	D
PSB BRANCH LINE CIRCUIT	96	ADDITIONAL SERVICE WHEN REPLACING		
Diagnosis Procedure	96	CAN GATEWAY	117	E
RDR-L BRANCH LINE CIRCUIT	97	Description	117	
Diagnosis Procedure	97	Work Procedure	117	
RDR-R BRANCH LINE CIRCUIT	98	CONFIGURATION (CAN GATEWAY)	118	F
Diagnosis Procedure	98	Description	118	
APA BRANCH LINE CIRCUIT	99	Work Procedure	118	
Diagnosis Procedure	99	DTC/CIRCUIT DIAGNOSIS	119	G
LANE BRANCH LINE CIRCUIT	100	U1000 CAN COMM CIRCUIT	119	H
Diagnosis Procedure	100	Description	119	
LASER BRANCH LINE CIRCUIT	101	DTC Logic	119	
Diagnosis Procedure	101	Diagnosis Procedure	119	
CAN COMMUNICATION CIRCUIT	102	U1010 CONTROL UNIT (CAN)	120	I
Diagnosis Procedure	102	Description	120	
CAN COMMUNICATION CIRCUIT 1	104	DTC Logic	120	
Diagnosis Procedure	104	Diagnosis Procedure	120	
CAN COMMUNICATION CIRCUIT 2	106	B2600 CONFIG ERROR	121	J
Diagnosis Procedure	106	Description	121	
ITS COMMUNICATION CIRCUIT	108	DTC Logic	121	
Diagnosis Procedure	108	Diagnosis Procedure	121	K
CAN GATEWAY		POWER SUPPLY AND GROUND CIRCUIT ..	122	L
PRECAUTION	110	Diagnosis Procedure	122	
PRECAUTIONS	110	REMOVAL AND INSTALLATION	123	
Precaution for Supplemental Restraint System		CAN GATEWAY	123	LAN
(SRS) "AIR BAG" and "SEAT BELT PRE-TENSIONER"	110	Removal and Installation	123	
SYSTEM DESCRIPTION	111	CAN SYSTEM (TYPE 1)		
COMPONENT PARTS	111	DTC/CIRCUIT DIAGNOSIS	124	N
Component Parts Location	111	MAIN LINE BETWEEN TPMS AND HVAC		
SYSTEM	112	CIRCUIT	124	O
System Description	112	Diagnosis Procedure	124	
DIAGNOSIS SYSTEM (CAN GATEWAY)	113	MAIN LINE BETWEEN HVAC AND A-BAG		
CONSULT Function	113	CIRCUIT	125	P
ECU DIAGNOSIS INFORMATION	114	Diagnosis Procedure	125	
		MAIN LINE BETWEEN A-BAG AND AV CIR-		
		CUIT	126	
		Diagnosis Procedure	126	

MAIN LINE BETWEEN AV AND M&A CIRCUIT	127
Diagnosis Procedure	127
MAIN LINE BETWEEN M&A AND DLC CIRCUIT	128
Diagnosis Procedure	128
MAIN LINE BETWEEN DLC AND BCM CIRCUIT	129
Diagnosis Procedure	129
MAIN LINE BETWEEN BCM AND ADP CIRCUIT	130
Diagnosis Procedure	130
MAIN LINE BETWEEN ADP AND ABS CIRCUIT	131
Diagnosis Procedure	131
ECM BRANCH LINE CIRCUIT	133
Diagnosis Procedure	133
TPMS BRANCH LINE CIRCUIT	135
Diagnosis Procedure	135
HVAC BRANCH LINE CIRCUIT	136
Diagnosis Procedure	136
TCM BRANCH LINE CIRCUIT	137
Diagnosis Procedure	137
A-BAG BRANCH LINE CIRCUIT	139
Diagnosis Procedure	139
AV BRANCH LINE CIRCUIT	140
Diagnosis Procedure	140
M&A BRANCH LINE CIRCUIT	142
Diagnosis Procedure	142
DLC BRANCH LINE CIRCUIT	143
Diagnosis Procedure	143
BCM BRANCH LINE CIRCUIT	144
Diagnosis Procedure	144
STRG BRANCH LINE CIRCUIT	145
Diagnosis Procedure	145
ABS BRANCH LINE CIRCUIT	146
Diagnosis Procedure	146
IPDM-E BRANCH LINE CIRCUIT	147
Diagnosis Procedure	147
ADP BRANCH LINE CIRCUIT	148
Diagnosis Procedure	148
CAN COMMUNICATION CIRCUIT	149
Diagnosis Procedure	149

CAN SYSTEM (TYPE 2)

DTC/CIRCUIT DIAGNOSIS	151
MAIN LINE BETWEEN TPMS AND HVAC CIRCUIT	151
Diagnosis Procedure	151
MAIN LINE BETWEEN HVAC AND A-BAG CIRCUIT	152
Diagnosis Procedure	152
MAIN LINE BETWEEN A-BAG AND AV CIRCUIT	153
Diagnosis Procedure	153
MAIN LINE BETWEEN AV AND M&A CIRCUIT	154
Diagnosis Procedure	154
MAIN LINE BETWEEN M&A AND DLC CIRCUIT	155
Diagnosis Procedure	155
MAIN LINE BETWEEN DLC AND BCM CIRCUIT	156
Diagnosis Procedure	156
MAIN LINE BETWEEN BCM AND RAS CIRCUIT	157
Diagnosis Procedure	157
MAIN LINE BETWEEN RAS AND ABS CIRCUIT	158
Diagnosis Procedure	158
ECM BRANCH LINE CIRCUIT	160
Diagnosis Procedure	160
TPMS BRANCH LINE CIRCUIT	162
Diagnosis Procedure	162
HVAC BRANCH LINE CIRCUIT	163
Diagnosis Procedure	163
TCM BRANCH LINE CIRCUIT	164
Diagnosis Procedure	164
A-BAG BRANCH LINE CIRCUIT	166
Diagnosis Procedure	166
AV BRANCH LINE CIRCUIT	167
Diagnosis Procedure	167
M&A BRANCH LINE CIRCUIT	169
Diagnosis Procedure	169
DLC BRANCH LINE CIRCUIT	170
Diagnosis Procedure	170
BCM BRANCH LINE CIRCUIT	171
Diagnosis Procedure	171
STRG BRANCH LINE CIRCUIT	172

Diagnosis Procedure	172	Diagnosis Procedure	191	
RAS BRANCH LINE CIRCUIT	173	ECM BRANCH LINE CIRCUIT	192	A
Diagnosis Procedure	173	Diagnosis Procedure	192	
ABS BRANCH LINE CIRCUIT	174	TPMS BRANCH LINE CIRCUIT	194	B
Diagnosis Procedure	174	Diagnosis Procedure	194	
IPDM-E BRANCH LINE CIRCUIT	175	CGW BRANCH LINE CIRCUIT (CAN COMMUNICATION CIRCUIT 1)	195	C
Diagnosis Procedure	175	Diagnosis Procedure	195	
ADP BRANCH LINE CIRCUIT	176	CGW BRANCH LINE CIRCUIT (CAN COMMUNICATION CIRCUIT 2)	196	D
Diagnosis Procedure	176	Diagnosis Procedure	196	
CAN COMMUNICATION CIRCUIT	177	HVAC BRANCH LINE CIRCUIT	197	E
Diagnosis Procedure	177	Diagnosis Procedure	197	
CAN SYSTEM (TYPE 3)				
DTC/CIRCUIT DIAGNOSIS	179	TCM BRANCH LINE CIRCUIT	198	F
MAIN LINE BETWEEN TPMS AND HVAC CIRCUIT	179	Diagnosis Procedure	198	
Diagnosis Procedure	179	A-BAG BRANCH LINE CIRCUIT	200	G
MAIN LINE BETWEEN HVAC AND A-BAG CIRCUIT	180	Diagnosis Procedure	200	
Diagnosis Procedure	180	AV BRANCH LINE CIRCUIT	201	H
MAIN LINE BETWEEN A-BAG AND AV CIRCUIT	181	Diagnosis Procedure	201	
Diagnosis Procedure	181	M&A BRANCH LINE CIRCUIT	203	I
MAIN LINE BETWEEN AV AND M&A CIRCUIT	182	Diagnosis Procedure	203	
Diagnosis Procedure	182	DLC BRANCH LINE CIRCUIT (CAN COMMUNICATION CIRCUIT 1)	204	J
MAIN LINE BETWEEN M&A AND DLC CIRCUIT	183	Diagnosis Procedure	204	
Diagnosis Procedure	183	DLC BRANCH LINE CIRCUIT (CAN COMMUNICATION CIRCUIT 2)	205	K
MAIN LINE BETWEEN DLC AND BCM CIRCUIT	184	Diagnosis Procedure	205	
Diagnosis Procedure	184	BCM BRANCH LINE CIRCUIT	206	L
MAIN LINE BETWEEN BCM AND ABS CIRCUIT	185	Diagnosis Procedure	206	
Diagnosis Procedure	185	STRG BRANCH LINE CIRCUIT	207	LAN
MAIN LINE BETWEEN DLC AND ADP CIRCUIT	187	Diagnosis Procedure	207	
Diagnosis Procedure	187	ABS BRANCH LINE CIRCUIT	208	N
MAIN LINE BETWEEN RDR-L AND RDR-R CIRCUIT	188	Diagnosis Procedure	208	
Diagnosis Procedure	188	AFS BRANCH LINE CIRCUIT	209	O
MAIN LINE BETWEEN RDR-R AND APA CIRCUIT	189	Diagnosis Procedure	209	
Diagnosis Procedure	189	IPDM-E BRANCH LINE CIRCUIT	210	P
MAIN LINE BETWEEN APA AND LANE CIRCUIT	191	Diagnosis Procedure	210	
		ADP BRANCH LINE CIRCUIT	211	
		Diagnosis Procedure	211	
		ICC BRANCH LINE CIRCUIT	212	
		Diagnosis Procedure	212	
		PSB BRANCH LINE CIRCUIT	213	
		Diagnosis Procedure	213	

RDR-L BRANCH LINE CIRCUIT	214	MAIN LINE BETWEEN RDR-L AND RDR-R CIRCUIT	235
Diagnosis Procedure	214	Diagnosis Procedure	235
RDR-R BRANCH LINE CIRCUIT	215	MAIN LINE BETWEEN RDR-R AND APA CIRCUIT	236
Diagnosis Procedure	215	Diagnosis Procedure	236
APA BRANCH LINE CIRCUIT	216	MAIN LINE BETWEEN APA AND LANE CIRCUIT	238
Diagnosis Procedure	216	Diagnosis Procedure	238
LANE BRANCH LINE CIRCUIT	217	ECM BRANCH LINE CIRCUIT	239
Diagnosis Procedure	217	Diagnosis Procedure	239
LASER BRANCH LINE CIRCUIT	218	TPMS BRANCH LINE CIRCUIT	241
Diagnosis Procedure	218	Diagnosis Procedure	241
CAN COMMUNICATION CIRCUIT 1	219	CGW BRANCH LINE CIRCUIT (CAN COMMUNICATION CIRCUIT 1)	242
Diagnosis Procedure	219	Diagnosis Procedure	242
CAN COMMUNICATION CIRCUIT 2	221	CGW BRANCH LINE CIRCUIT (CAN COMMUNICATION CIRCUIT 2)	243
Diagnosis Procedure	221	Diagnosis Procedure	243
ITS COMMUNICATION CIRCUIT	223	HVAC BRANCH LINE CIRCUIT	244
Diagnosis Procedure	223	Diagnosis Procedure	244
CAN SYSTEM (TYPE 4)			
DTC/CIRCUIT DIAGNOSIS	225	TCM BRANCH LINE CIRCUIT	245
MAIN LINE BETWEEN TPMS AND HVAC CIRCUIT	225	Diagnosis Procedure	245
Diagnosis Procedure	225	A-BAG BRANCH LINE CIRCUIT	247
MAIN LINE BETWEEN HVAC AND A-BAG CIRCUIT	226	Diagnosis Procedure	247
Diagnosis Procedure	226	AV BRANCH LINE CIRCUIT	248
MAIN LINE BETWEEN A-BAG AND AV CIRCUIT	227	Diagnosis Procedure	248
Diagnosis Procedure	227	M&A BRANCH LINE CIRCUIT	250
MAIN LINE BETWEEN AV AND M&A CIRCUIT	228	Diagnosis Procedure	250
Diagnosis Procedure	228	DLC BRANCH LINE CIRCUIT (CAN COMMUNICATION CIRCUIT 1)	251
MAIN LINE BETWEEN M&A AND DLC CIRCUIT	229	Diagnosis Procedure	251
Diagnosis Procedure	229	DLC BRANCH LINE CIRCUIT (CAN COMMUNICATION CIRCUIT 2)	252
MAIN LINE BETWEEN DLC AND BCM CIRCUIT	230	Diagnosis Procedure	252
Diagnosis Procedure	230	BCM BRANCH LINE CIRCUIT	253
MAIN LINE BETWEEN BCM AND RAS CIRCUIT	231	Diagnosis Procedure	253
Diagnosis Procedure	231	STRG BRANCH LINE CIRCUIT	254
MAIN LINE BETWEEN RAS AND ABS CIRCUIT	232	Diagnosis Procedure	254
Diagnosis Procedure	232	RAS BRANCH LINE CIRCUIT	255
MAIN LINE BETWEEN DLC AND ADP CIRCUIT	234	Diagnosis Procedure	255
Diagnosis Procedure	234	ABS BRANCH LINE CIRCUIT	256
		Diagnosis Procedure	256
		AFS BRANCH LINE CIRCUIT	257
		Diagnosis Procedure	257

IPDM-E BRANCH LINE CIRCUIT	258	MAIN LINE BETWEEN BCM AND ADP CIR- CUIT	279	A
Diagnosis Procedure	258	Diagnosis Procedure	279	
ADP BRANCH LINE CIRCUIT	259	MAIN LINE BETWEEN ADP AND ABS CIR- CUIT	280	B
Diagnosis Procedure	259	Diagnosis Procedure	280	
ICC BRANCH LINE CIRCUIT	260	ECM BRANCH LINE CIRCUIT	282	C
Diagnosis Procedure	260	Diagnosis Procedure	282	
PSB BRANCH LINE CIRCUIT	261	TPMS BRANCH LINE CIRCUIT	284	D
Diagnosis Procedure	261	Diagnosis Procedure	284	
RDR-L BRANCH LINE CIRCUIT	262	HVAC BRANCH LINE CIRCUIT	285	E
Diagnosis Procedure	262	Diagnosis Procedure	285	
RDR-R BRANCH LINE CIRCUIT	263	TCM BRANCH LINE CIRCUIT	286	F
Diagnosis Procedure	263	Diagnosis Procedure	286	
APA BRANCH LINE CIRCUIT	264	A-BAG BRANCH LINE CIRCUIT	288	G
Diagnosis Procedure	264	Diagnosis Procedure	288	
LANE BRANCH LINE CIRCUIT	265	AV BRANCH LINE CIRCUIT	289	H
Diagnosis Procedure	265	Diagnosis Procedure	289	
LASER BRANCH LINE CIRCUIT	266	M&A BRANCH LINE CIRCUIT	291	I
Diagnosis Procedure	266	Diagnosis Procedure	291	
CAN COMMUNICATION CIRCUIT 1	267	DLC BRANCH LINE CIRCUIT	292	J
Diagnosis Procedure	267	Diagnosis Procedure	292	
CAN COMMUNICATION CIRCUIT 2	269	BCM BRANCH LINE CIRCUIT	293	K
Diagnosis Procedure	269	Diagnosis Procedure	293	
ITS COMMUNICATION CIRCUIT	271	STRG BRANCH LINE CIRCUIT	294	L
Diagnosis Procedure	271	Diagnosis Procedure	294	
CAN SYSTEM (TYPE 5)				
DTC/CIRCUIT DIAGNOSIS	273	ABS BRANCH LINE CIRCUIT	295	
MAIN LINE BETWEEN TPMS AND HVAC CIRCUIT	273	Diagnosis Procedure	295	
Diagnosis Procedure	273	IPDM-E BRANCH LINE CIRCUIT	296	
MAIN LINE BETWEEN HVAC AND A-BAG CIRCUIT	274	Diagnosis Procedure	296	
Diagnosis Procedure	274	ADP BRANCH LINE CIRCUIT	297	LAN
MAIN LINE BETWEEN A-BAG AND AV CIR- CUIT	275	Diagnosis Procedure	297	
Diagnosis Procedure	275	CAN COMMUNICATION CIRCUIT	298	N
MAIN LINE BETWEEN AV AND M&A CIR- CUIT	276	Diagnosis Procedure	298	
Diagnosis Procedure	276	CAN SYSTEM (TYPE 6)		
MAIN LINE BETWEEN M&A AND DLC CIR- CUIT	277	DTC/CIRCUIT DIAGNOSIS	300	O
Diagnosis Procedure	277	MAIN LINE BETWEEN TPMS AND HVAC CIRCUIT	300	P
MAIN LINE BETWEEN DLC AND BCM CIR- CUIT	278	Diagnosis Procedure	300	
Diagnosis Procedure	278	MAIN LINE BETWEEN HVAC AND A-BAG CIRCUIT	301	
MAIN LINE BETWEEN BCM AND ADP CIR- CUIT	279	Diagnosis Procedure	301	
Diagnosis Procedure	279	MAIN LINE BETWEEN A-BAG AND AV CIR- CUIT	302	

Diagnosis Procedure	302	CAN COMMUNICATION CIRCUIT	326
MAIN LINE BETWEEN AV AND M&A CIR- CUIT	303	Diagnosis Procedure	326
Diagnosis Procedure	303	CAN SYSTEM (TYPE 7)	
MAIN LINE BETWEEN M&A AND DLC CIR- CUIT	304	DTC/CIRCUIT DIAGNOSIS	328
Diagnosis Procedure	304	MAIN LINE BETWEEN TPMS AND HVAC CIRCUIT	328
MAIN LINE BETWEEN DLC AND BCM CIR- CUIT	305	Diagnosis Procedure	328
Diagnosis Procedure	305	MAIN LINE BETWEEN HVAC AND A-BAG CIRCUIT	329
MAIN LINE BETWEEN BCM AND RAS CIR- CUIT	306	Diagnosis Procedure	329
Diagnosis Procedure	306	MAIN LINE BETWEEN A-BAG AND AV CIR- CUIT	330
MAIN LINE BETWEEN RAS AND ABS CIR- CUIT	307	Diagnosis Procedure	330
Diagnosis Procedure	307	MAIN LINE BETWEEN AV AND M&A CIR- CUIT	331
ECM BRANCH LINE CIRCUIT	309	Diagnosis Procedure	331
Diagnosis Procedure	309	MAIN LINE BETWEEN M&A AND DLC CIR- CUIT	332
TPMS BRANCH LINE CIRCUIT	311	Diagnosis Procedure	332
Diagnosis Procedure	311	MAIN LINE BETWEEN DLC AND BCM CIR- CUIT	333
HVAC BRANCH LINE CIRCUIT	312	Diagnosis Procedure	333
Diagnosis Procedure	312	MAIN LINE BETWEEN BCM AND ABS CIR- CUIT	334
TCM BRANCH LINE CIRCUIT	313	Diagnosis Procedure	334
Diagnosis Procedure	313	MAIN LINE BETWEEN DLC AND ADP CIR- CUIT	336
A-BAG BRANCH LINE CIRCUIT	315	Diagnosis Procedure	336
Diagnosis Procedure	315	MAIN LINE BETWEEN RDR-L AND RDR-R CIRCUIT	337
AV BRANCH LINE CIRCUIT	316	Diagnosis Procedure	337
Diagnosis Procedure	316	MAIN LINE BETWEEN RDR-R AND APA CIR- CUIT	338
M&A BRANCH LINE CIRCUIT	318	Diagnosis Procedure	338
Diagnosis Procedure	318	MAIN LINE BETWEEN APA AND LANE CIR- CUIT	340
DLC BRANCH LINE CIRCUIT	319	Diagnosis Procedure	340
Diagnosis Procedure	319	ECM BRANCH LINE CIRCUIT	341
BCM BRANCH LINE CIRCUIT	320	Diagnosis Procedure	341
Diagnosis Procedure	320	TPMS BRANCH LINE CIRCUIT	343
STRG BRANCH LINE CIRCUIT	321	Diagnosis Procedure	343
Diagnosis Procedure	321	CGW BRANCH LINE CIRCUIT (CAN COM- MUNICATION CIRCUIT 1)	344
RAS BRANCH LINE CIRCUIT	322	Diagnosis Procedure	344
Diagnosis Procedure	322		
ABS BRANCH LINE CIRCUIT	323		
Diagnosis Procedure	323		
IPDM-E BRANCH LINE CIRCUIT	324		
Diagnosis Procedure	324		
ADP BRANCH LINE CIRCUIT	325		
Diagnosis Procedure	325		

CGW BRANCH LINE CIRCUIT (CAN COMMUNICATION CIRCUIT 2)	345
Diagnosis Procedure	345
HVAC BRANCH LINE CIRCUIT	346
Diagnosis Procedure	346
TCM BRANCH LINE CIRCUIT	347
Diagnosis Procedure	347
A-BAG BRANCH LINE CIRCUIT	349
Diagnosis Procedure	349
AV BRANCH LINE CIRCUIT	350
Diagnosis Procedure	350
M&A BRANCH LINE CIRCUIT	352
Diagnosis Procedure	352
DLC BRANCH LINE CIRCUIT (CAN COMMUNICATION CIRCUIT 1)	353
Diagnosis Procedure	353
DLC BRANCH LINE CIRCUIT (CAN COMMUNICATION CIRCUIT 2)	354
Diagnosis Procedure	354
BCM BRANCH LINE CIRCUIT	355
Diagnosis Procedure	355
STRG BRANCH LINE CIRCUIT	356
Diagnosis Procedure	356
ABS BRANCH LINE CIRCUIT	357
Diagnosis Procedure	357
AFS BRANCH LINE CIRCUIT	358
Diagnosis Procedure	358
IPDM-E BRANCH LINE CIRCUIT	359
Diagnosis Procedure	359
ADP BRANCH LINE CIRCUIT	360
Diagnosis Procedure	360
ICC BRANCH LINE CIRCUIT	361
Diagnosis Procedure	361
PSB BRANCH LINE CIRCUIT	362
Diagnosis Procedure	362
RDR-L BRANCH LINE CIRCUIT	363
Diagnosis Procedure	363
RDR-R BRANCH LINE CIRCUIT	364
Diagnosis Procedure	364
APA BRANCH LINE CIRCUIT	365
Diagnosis Procedure	365
LANE BRANCH LINE CIRCUIT	366
Diagnosis Procedure	366

LASER BRANCH LINE CIRCUIT	367
Diagnosis Procedure	367
CAN COMMUNICATION CIRCUIT 1	368
Diagnosis Procedure	368
CAN COMMUNICATION CIRCUIT 2	370
Diagnosis Procedure	370
ITS COMMUNICATION CIRCUIT	372
Diagnosis Procedure	372
CAN SYSTEM (TYPE 8)	
DTC/CIRCUIT DIAGNOSIS	374
MAIN LINE BETWEEN TPMS AND HVAC CIRCUIT	374
Diagnosis Procedure	374
MAIN LINE BETWEEN HVAC AND A-BAG CIRCUIT	375
Diagnosis Procedure	375
MAIN LINE BETWEEN A-BAG AND AV CIRCUIT	376
Diagnosis Procedure	376
MAIN LINE BETWEEN AV AND M&A CIRCUIT	377
Diagnosis Procedure	377
MAIN LINE BETWEEN M&A AND DLC CIRCUIT	378
Diagnosis Procedure	378
MAIN LINE BETWEEN DLC AND BCM CIRCUIT	379
Diagnosis Procedure	379
MAIN LINE BETWEEN BCM AND RAS CIRCUIT	380
Diagnosis Procedure	380
MAIN LINE BETWEEN RAS AND ABS CIRCUIT	381
Diagnosis Procedure	381
MAIN LINE BETWEEN DLC AND ADP CIRCUIT	383
Diagnosis Procedure	383
MAIN LINE BETWEEN RDR-L AND RDR-R CIRCUIT	384
Diagnosis Procedure	384
MAIN LINE BETWEEN RDR-R AND APA CIRCUIT	385
Diagnosis Procedure	385
MAIN LINE BETWEEN APA AND LANE CIRCUIT	387

A
B
C
D
E
F
G
H
I
J
K
L
LAN
N
O
P

Diagnosis Procedure	387	PSB BRANCH LINE CIRCUIT	410
		Diagnosis Procedure	410
ECM BRANCH LINE CIRCUIT	388	RDR-L BRANCH LINE CIRCUIT	411
Diagnosis Procedure	388	Diagnosis Procedure	411
TPMS BRANCH LINE CIRCUIT	390	RDR-R BRANCH LINE CIRCUIT	412
Diagnosis Procedure	390	Diagnosis Procedure	412
CGW BRANCH LINE CIRCUIT (CAN COM- MUNICATION CIRCUIT 1)	391	APA BRANCH LINE CIRCUIT	413
Diagnosis Procedure	391	Diagnosis Procedure	413
CGW BRANCH LINE CIRCUIT (CAN COM- MUNICATION CIRCUIT 2)	392	LANE BRANCH LINE CIRCUIT	414
Diagnosis Procedure	392	Diagnosis Procedure	414
HVAC BRANCH LINE CIRCUIT	393	LASER BRANCH LINE CIRCUIT	415
Diagnosis Procedure	393	Diagnosis Procedure	415
TCM BRANCH LINE CIRCUIT	394	CAN COMMUNICATION CIRCUIT 1	416
Diagnosis Procedure	394	Diagnosis Procedure	416
A-BAG BRANCH LINE CIRCUIT	396	CAN COMMUNICATION CIRCUIT 2	418
Diagnosis Procedure	396	Diagnosis Procedure	418
AV BRANCH LINE CIRCUIT	397	ITS COMMUNICATION CIRCUIT	420
Diagnosis Procedure	397	Diagnosis Procedure	420
M&A BRANCH LINE CIRCUIT	399	CAN SYSTEM (TYPE 9)	
Diagnosis Procedure	399	DTC/CIRCUIT DIAGNOSIS	422
DLC BRANCH LINE CIRCUIT (CAN COMMU- NICATION CIRCUIT 1)	400	MAIN LINE BETWEEN TPMS AND HVAC CIRCUIT	422
Diagnosis Procedure	400	Diagnosis Procedure	422
DLC BRANCH LINE CIRCUIT (CAN COMMU- NICATION CIRCUIT 2)	401	MAIN LINE BETWEEN HVAC AND A-BAG CIRCUIT	423
Diagnosis Procedure	401	Diagnosis Procedure	423
BCM BRANCH LINE CIRCUIT	402	MAIN LINE BETWEEN A-BAG AND AV CIR- CUIT	424
Diagnosis Procedure	402	Diagnosis Procedure	424
STRG BRANCH LINE CIRCUIT	403	MAIN LINE BETWEEN AV AND M&A CIR- CUIT	425
Diagnosis Procedure	403	Diagnosis Procedure	425
RAS BRANCH LINE CIRCUIT	404	MAIN LINE BETWEEN M&A AND DLC CIR- CUIT	426
Diagnosis Procedure	404	Diagnosis Procedure	426
ABS BRANCH LINE CIRCUIT	405	MAIN LINE BETWEEN DLC AND BCM CIR- CUIT	427
Diagnosis Procedure	405	Diagnosis Procedure	427
AFS BRANCH LINE CIRCUIT	406	MAIN LINE BETWEEN BCM AND 4WD CIR- CUIT	428
Diagnosis Procedure	406	Diagnosis Procedure	428
IPDM-E BRANCH LINE CIRCUIT	407	MAIN LINE BETWEEN 4WD AND ABS CIR- CUIT	429
Diagnosis Procedure	407	Diagnosis Procedure	429
ADP BRANCH LINE CIRCUIT	408		
Diagnosis Procedure	408		
ICC BRANCH LINE CIRCUIT	409		
Diagnosis Procedure	409		

ECM BRANCH LINE CIRCUIT	431	MAIN LINE BETWEEN M&A AND DLC CIR-		
Diagnosis Procedure	431	CUIT	454	A
TPMS BRANCH LINE CIRCUIT	433	Diagnosis Procedure	454	
Diagnosis Procedure	433	MAIN LINE BETWEEN DLC AND BCM CIR-		B
HVAC BRANCH LINE CIRCUIT	434	CUIT	455	
Diagnosis Procedure	434	Diagnosis Procedure	455	
TCM BRANCH LINE CIRCUIT	435	MAIN LINE BETWEEN BCM AND 4WD CIR-		C
Diagnosis Procedure	435	CUIT	456	
A-BAG BRANCH LINE CIRCUIT	437	Diagnosis Procedure	456	
Diagnosis Procedure	437	MAIN LINE BETWEEN 4WD AND ABS CIR-		D
AV BRANCH LINE CIRCUIT	438	CUIT	457	
Diagnosis Procedure	438	Diagnosis Procedure	457	E
M&A BRANCH LINE CIRCUIT	440	MAIN LINE BETWEEN DLC AND ADP CIR-		F
Diagnosis Procedure	440	CUIT	459	
DLC BRANCH LINE CIRCUIT	441	Diagnosis Procedure	459	
Diagnosis Procedure	441	MAIN LINE BETWEEN RDR-L AND RDR-R		G
BCM BRANCH LINE CIRCUIT	442	CIRCUIT	460	
Diagnosis Procedure	442	Diagnosis Procedure	460	
STRG BRANCH LINE CIRCUIT	443	MAIN LINE BETWEEN RDR-R AND APA CIR-		H
Diagnosis Procedure	443	CUIT	461	
4WD BRANCH LINE CIRCUIT	444	Diagnosis Procedure	461	
Diagnosis Procedure	444	MAIN LINE BETWEEN APA AND LANE CIR-		I
ABS BRANCH LINE CIRCUIT	445	CUIT	463	
Diagnosis Procedure	445	Diagnosis Procedure	463	
IPDM-E BRANCH LINE CIRCUIT	446	ECM BRANCH LINE CIRCUIT	464	J
Diagnosis Procedure	446	Diagnosis Procedure	464	
ADP BRANCH LINE CIRCUIT	447	TPMS BRANCH LINE CIRCUIT	466	K
Diagnosis Procedure	447	Diagnosis Procedure	466	
CAN COMMUNICATION CIRCUIT	448	CGW BRANCH LINE CIRCUIT (CAN COM-		L
Diagnosis Procedure	448	MUNICATION CIRCUIT 1)	467	
CAN SYSTEM (TYPE 10)		Diagnosis Procedure	467	
DTC/CIRCUIT DIAGNOSIS	450	CGW BRANCH LINE CIRCUIT (CAN COM-		LAN
MAIN LINE BETWEEN TPMS AND HVAC		MUNICATION CIRCUIT 2)	468	
CIRCUIT	450	Diagnosis Procedure	468	
Diagnosis Procedure	450	HVAC BRANCH LINE CIRCUIT	469	N
MAIN LINE BETWEEN HVAC AND A-BAG		Diagnosis Procedure	469	
CIRCUIT	451	TCM BRANCH LINE CIRCUIT	470	O
Diagnosis Procedure	451	Diagnosis Procedure	470	
MAIN LINE BETWEEN A-BAG AND AV CIR-		A-BAG BRANCH LINE CIRCUIT	472	P
CUIT	452	Diagnosis Procedure	472	
Diagnosis Procedure	452	AV BRANCH LINE CIRCUIT	473	
MAIN LINE BETWEEN AV AND M&A CIR-		Diagnosis Procedure	473	
CUIT	453	M&A BRANCH LINE CIRCUIT	475	
Diagnosis Procedure	453	Diagnosis Procedure	475	

DLC BRANCH LINE CIRCUIT (CAN COMMUNICATION CIRCUIT 1)	476	MAIN LINE BETWEEN TPMS AND HVAC CIRCUIT	498
Diagnosis Procedure	476	Diagnosis Procedure	498
DLC BRANCH LINE CIRCUIT (CAN COMMUNICATION CIRCUIT 2)	477	MAIN LINE BETWEEN HVAC AND A-BAG CIRCUIT	499
Diagnosis Procedure	477	Diagnosis Procedure	499
BCM BRANCH LINE CIRCUIT	478	MAIN LINE BETWEEN A-BAG AND AV CIRCUIT	500
Diagnosis Procedure	478	Diagnosis Procedure	500
STRG BRANCH LINE CIRCUIT	479	MAIN LINE BETWEEN AV AND M&A CIRCUIT	501
Diagnosis Procedure	479	Diagnosis Procedure	501
4WD BRANCH LINE CIRCUIT	480	MAIN LINE BETWEEN M&A AND DLC CIRCUIT	502
Diagnosis Procedure	480	Diagnosis Procedure	502
ABS BRANCH LINE CIRCUIT	481	MAIN LINE BETWEEN DLC AND BCM CIRCUIT	503
Diagnosis Procedure	481	Diagnosis Procedure	503
AFS BRANCH LINE CIRCUIT	482	MAIN LINE BETWEEN BCM AND 4WD CIRCUIT	504
Diagnosis Procedure	482	Diagnosis Procedure	504
IPDM-E BRANCH LINE CIRCUIT	483	MAIN LINE BETWEEN 4WD AND ABS CIRCUIT	505
Diagnosis Procedure	483	Diagnosis Procedure	505
ADP BRANCH LINE CIRCUIT	484	ECM BRANCH LINE CIRCUIT	507
Diagnosis Procedure	484	Diagnosis Procedure	507
ICC BRANCH LINE CIRCUIT	485	TPMS BRANCH LINE CIRCUIT	509
Diagnosis Procedure	485	Diagnosis Procedure	509
PSB BRANCH LINE CIRCUIT	486	HVAC BRANCH LINE CIRCUIT	510
Diagnosis Procedure	486	Diagnosis Procedure	510
RDR-L BRANCH LINE CIRCUIT	487	TCM BRANCH LINE CIRCUIT	511
Diagnosis Procedure	487	Diagnosis Procedure	511
RDR-R BRANCH LINE CIRCUIT	488	A-BAG BRANCH LINE CIRCUIT	513
Diagnosis Procedure	488	Diagnosis Procedure	513
APA BRANCH LINE CIRCUIT	489	AV BRANCH LINE CIRCUIT	514
Diagnosis Procedure	489	Diagnosis Procedure	514
LANE BRANCH LINE CIRCUIT	490	M&A BRANCH LINE CIRCUIT	516
Diagnosis Procedure	490	Diagnosis Procedure	516
LASER BRANCH LINE CIRCUIT	491	DLC BRANCH LINE CIRCUIT	517
Diagnosis Procedure	491	Diagnosis Procedure	517
CAN COMMUNICATION CIRCUIT 1	492	BCM BRANCH LINE CIRCUIT	518
Diagnosis Procedure	492	Diagnosis Procedure	518
CAN COMMUNICATION CIRCUIT 2	494	STRG BRANCH LINE CIRCUIT	519
Diagnosis Procedure	494	Diagnosis Procedure	519
ITS COMMUNICATION CIRCUIT	496		
Diagnosis Procedure	496		
CAN SYSTEM (TYPE 11)			
DTC/CIRCUIT DIAGNOSIS	498		

4WD BRANCH LINE CIRCUIT	520	MAIN LINE BETWEEN APA AND LANE CIRCUIT	539	A
Diagnosis Procedure	520	Diagnosis Procedure	539	
ABS BRANCH LINE CIRCUIT	521	ECM BRANCH LINE CIRCUIT	540	B
Diagnosis Procedure	521	Diagnosis Procedure	540	
IPDM-E BRANCH LINE CIRCUIT	522	TPMS BRANCH LINE CIRCUIT	542	C
Diagnosis Procedure	522	Diagnosis Procedure	542	
ADP BRANCH LINE CIRCUIT	523	CGW BRANCH LINE CIRCUIT (CAN COMMUNICATION CIRCUIT 1)	543	D
Diagnosis Procedure	523	Diagnosis Procedure	543	
CAN COMMUNICATION CIRCUIT	524	CGW BRANCH LINE CIRCUIT (CAN COMMUNICATION CIRCUIT 2)	544	E
Diagnosis Procedure	524	Diagnosis Procedure	544	
CAN SYSTEM (TYPE 12)		HVAC BRANCH LINE CIRCUIT	545	F
DTC/CIRCUIT DIAGNOSIS	526	Diagnosis Procedure	545	
MAIN LINE BETWEEN TPMS AND HVAC CIRCUIT	526	TCM BRANCH LINE CIRCUIT	546	G
Diagnosis Procedure	526	Diagnosis Procedure	546	
MAIN LINE BETWEEN HVAC AND A-BAG CIRCUIT	527	A-BAG BRANCH LINE CIRCUIT	548	H
Diagnosis Procedure	527	Diagnosis Procedure	548	
MAIN LINE BETWEEN A-BAG AND AV CIRCUIT	528	AV BRANCH LINE CIRCUIT	549	I
Diagnosis Procedure	528	Diagnosis Procedure	549	
MAIN LINE BETWEEN AV AND M&A CIRCUIT	529	M&A BRANCH LINE CIRCUIT	551	J
Diagnosis Procedure	529	Diagnosis Procedure	551	
MAIN LINE BETWEEN M&A AND DLC CIRCUIT	530	DLC BRANCH LINE CIRCUIT (CAN COMMUNICATION CIRCUIT 1)	552	K
Diagnosis Procedure	530	Diagnosis Procedure	552	
MAIN LINE BETWEEN DLC AND BCM CIRCUIT	531	DLC BRANCH LINE CIRCUIT (CAN COMMUNICATION CIRCUIT 2)	553	L
Diagnosis Procedure	531	Diagnosis Procedure	553	
MAIN LINE BETWEEN BCM AND 4WD CIRCUIT	532	BCM BRANCH LINE CIRCUIT	554	LAN
Diagnosis Procedure	532	Diagnosis Procedure	554	
MAIN LINE BETWEEN 4WD AND ABS CIRCUIT	533	STRG BRANCH LINE CIRCUIT	555	N
Diagnosis Procedure	533	Diagnosis Procedure	555	
MAIN LINE BETWEEN DLC AND ADP CIRCUIT	535	4WD BRANCH LINE CIRCUIT	556	O
Diagnosis Procedure	535	Diagnosis Procedure	556	
MAIN LINE BETWEEN RDR-L AND RDR-R CIRCUIT	536	ABS BRANCH LINE CIRCUIT	557	P
Diagnosis Procedure	536	Diagnosis Procedure	557	
MAIN LINE BETWEEN RDR-R AND APA CIRCUIT	537	AFS BRANCH LINE CIRCUIT	558	
Diagnosis Procedure	537	Diagnosis Procedure	558	
MAIN LINE BETWEEN APA AND LANE CIRCUIT	539	IPDM-E BRANCH LINE CIRCUIT	559	
Diagnosis Procedure	539	Diagnosis Procedure	559	
ECM BRANCH LINE CIRCUIT	540	ADP BRANCH LINE CIRCUIT	560	
Diagnosis Procedure	540	Diagnosis Procedure	560	
TPMS BRANCH LINE CIRCUIT	542	ICC BRANCH LINE CIRCUIT	561	
Diagnosis Procedure	542			
CGW BRANCH LINE CIRCUIT (CAN COMMUNICATION CIRCUIT 1)	543			
Diagnosis Procedure	543			
CGW BRANCH LINE CIRCUIT (CAN COMMUNICATION CIRCUIT 2)	544			
Diagnosis Procedure	544			
HVAC BRANCH LINE CIRCUIT	545			
Diagnosis Procedure	545			
TCM BRANCH LINE CIRCUIT	546			
Diagnosis Procedure	546			
A-BAG BRANCH LINE CIRCUIT	548			
Diagnosis Procedure	548			
AV BRANCH LINE CIRCUIT	549			
Diagnosis Procedure	549			
M&A BRANCH LINE CIRCUIT	551			
Diagnosis Procedure	551			
DLC BRANCH LINE CIRCUIT (CAN COMMUNICATION CIRCUIT 1)	552			
Diagnosis Procedure	552			
DLC BRANCH LINE CIRCUIT (CAN COMMUNICATION CIRCUIT 2)	553			
Diagnosis Procedure	553			
BCM BRANCH LINE CIRCUIT	554			
Diagnosis Procedure	554			
STRG BRANCH LINE CIRCUIT	555			
Diagnosis Procedure	555			
4WD BRANCH LINE CIRCUIT	556			
Diagnosis Procedure	556			
ABS BRANCH LINE CIRCUIT	557			
Diagnosis Procedure	557			
AFS BRANCH LINE CIRCUIT	558			
Diagnosis Procedure	558			
IPDM-E BRANCH LINE CIRCUIT	559			
Diagnosis Procedure	559			
ADP BRANCH LINE CIRCUIT	560			
Diagnosis Procedure	560			
ICC BRANCH LINE CIRCUIT	561			

Diagnosis Procedure	561	LANE BRANCH LINE CIRCUIT	566
PSB BRANCH LINE CIRCUIT	562	Diagnosis Procedure	566
Diagnosis Procedure	562	LASER BRANCH LINE CIRCUIT	567
RDR-L BRANCH LINE CIRCUIT	563	Diagnosis Procedure	567
Diagnosis Procedure	563	CAN COMMUNICATION CIRCUIT 1	568
RDR-R BRANCH LINE CIRCUIT	564	Diagnosis Procedure	568
Diagnosis Procedure	564	CAN COMMUNICATION CIRCUIT 2	570
APA BRANCH LINE CIRCUIT	565	Diagnosis Procedure	570
Diagnosis Procedure	565	ITS COMMUNICATION CIRCUIT	572
		Diagnosis Procedure	572

PRECAUTION

PRECAUTIONS

Precautions for Trouble Diagnosis

INFOID:000000006888655

CAUTION:

- Never apply 7.0 V or more to the measurement terminal.
- Use a tester with open terminal voltage of 7.0 V or less.
- Turn the ignition switch OFF and disconnect the battery cable from the negative terminal when checking the harness.

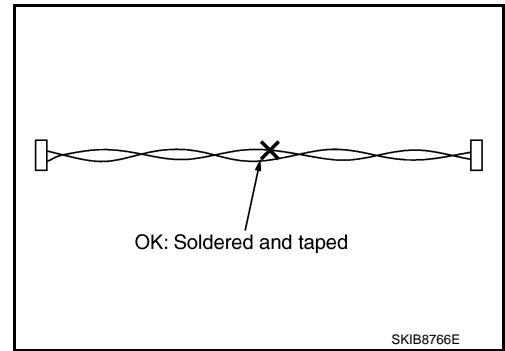
Precautions for Harness Repair

INFOID:000000006888656

- Solder the repaired area and wrap tape around the soldered area.

NOTE:

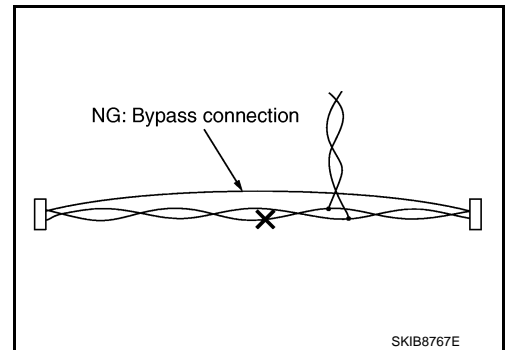
A fray of twisted lines must be within 110 mm (4.33 in).



- Bypass connection is never allowed at the repaired area.

NOTE:

Bypass connection may cause CAN communication error. The spliced wire becomes separated and the characteristics of twisted line are lost.



- Replace the applicable harness as an assembly if error is detected on the shield lines of CAN communication line.

A
B
C
D
E
F
G
H
I
J
K
L

LAN

SYSTEM DESCRIPTION

SYSTEM

CAN COMMUNICATION SYSTEM

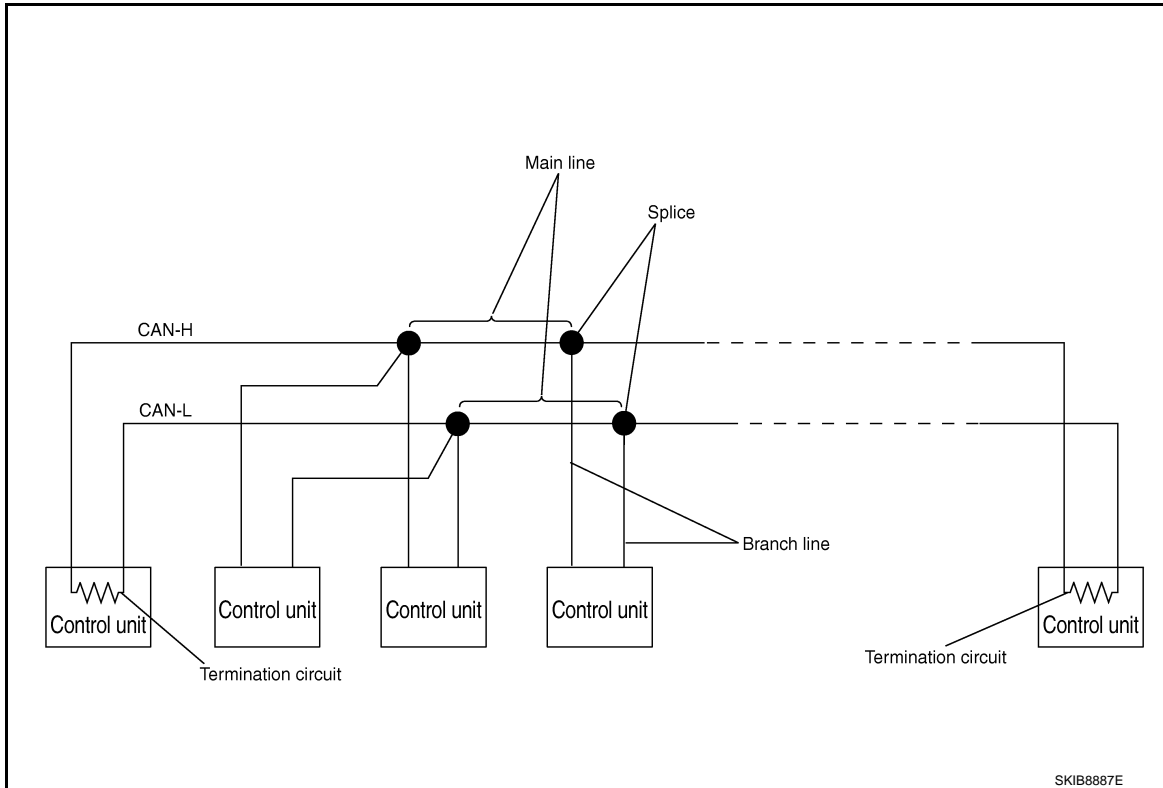
CAN COMMUNICATION SYSTEM : System Description

INFOID:000000006888657

- CAN communication is a multiplex communication system. This enables the system to transmit and receive large quantities of data at high speed by connecting control units with two communication lines (CAN-H and CAN-L).
- Control units on the CAN network transmit signals using the CAN communication control circuit. They receive only necessary signals from other control units to operate various functions.
- CAN communication lines adopt twisted-pair line style (two lines twisted) for noise immunity.

CAN COMMUNICATION SYSTEM : System Diagram

INFOID:000000006888658

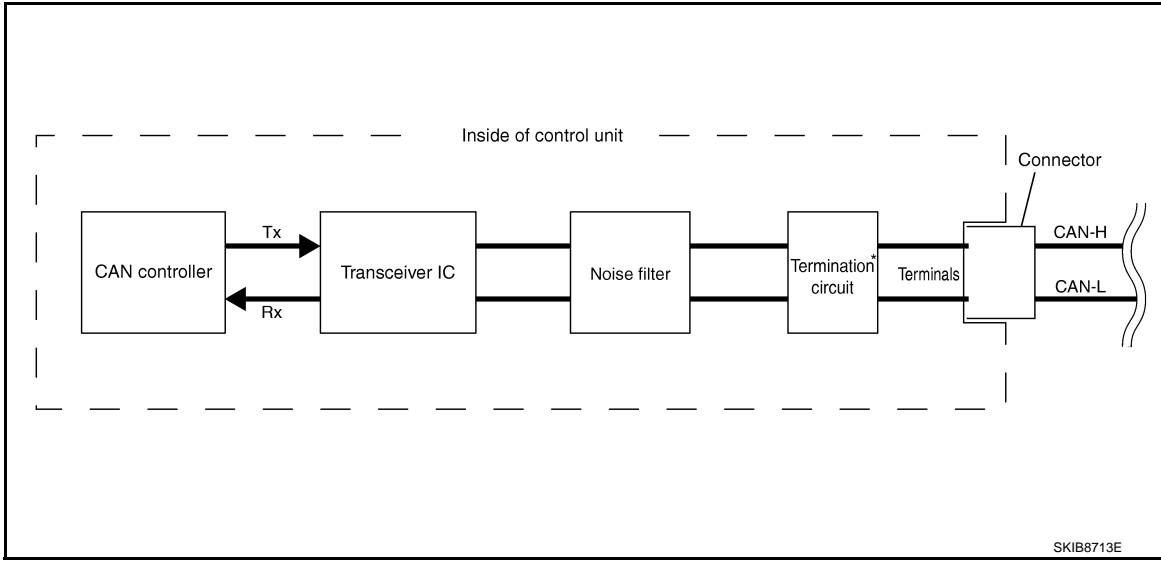


Each control unit passes an electric current to the termination circuits when transmitting CAN communication signal. The termination circuits produce an electrical potential difference between CAN-H and CAN-L. CAN communication system transmits and receives CAN communication signals by the potential difference.

Component	Description
Main line	CAN communication line between splices
Branch line	CAN communication line between splice and a control unit
Splice	A point connecting a branch line with a main line
Termination circuit	Refer to LAN-17, "CAN COMMUNICATION SYSTEM : CAN Communication Control Circuit" .

CAN COMMUNICATION SYSTEM : CAN Communication Control Circuit

INFOID:00000000688659



Component	System description
CAN controller	It controls CAN communication signal transmission and reception, error detection, etc.
Transceiver IC	It converts digital signal into CAN communication signal, and CAN communication signal into digital signal.
Noise filter	It eliminates noise of CAN communication signal.
Termination circuit* (Resistance of approx. 120 Ω)	It produces potential difference.

*: These are the only control units wired with both ends of CAN communication system.

DIAG ON CAN

DIAG ON CAN : Description

INFOID:00000000688660

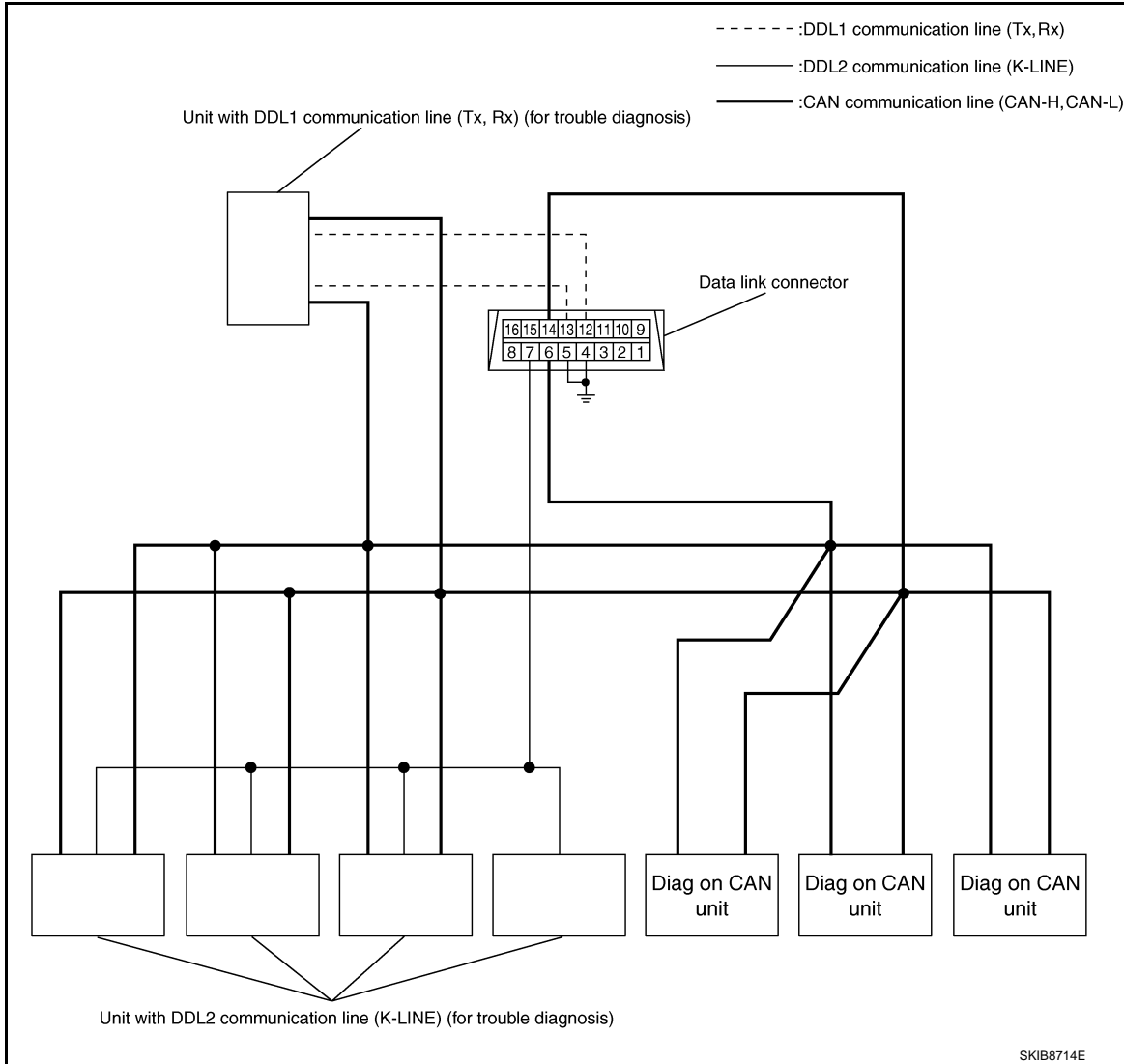
“Diag on CAN” is a diagnosis using CAN communication instead of previous DDL1 and DDL2 communication lines, between control units and diagnosis unit.

A
B
C
D
E
F
G
H
I
J
K
L

LAN

DIAG ON CAN : System Diagram

INFOID:000000006888661



Name	Harness	Description
DDL1	Tx Rx	It is used for trouble diagnosis. (CAN-H and CAN-L are used for controlling)
DDL2	K-LINE	It is used for trouble diagnosis. (CAN-H and CAN-L are used for controlling)
Diag on CAN	CAN-H CAN-L	It is used for trouble diagnosis and control.

TROUBLE DIAGNOSIS

Condition of Error Detection

INFOID:00000000688662

DTC (e.g. U1000 and U1001) of CAN communication is indicated on SELF-DIAG RESULTS on CONSULT if a CAN communication signal is not transmitted or received between units for 2 seconds or more.

CAN COMMUNICATION SYSTEM ERROR

- CAN communication line open (CAN-H, CAN-L, or both)
- CAN communication line short (ground, between CAN communication lines, other harnesses)
- Error of CAN communication control circuit of the unit connected to CAN communication line

WHEN DTC OF CAN COMMUNICATION IS INDICATED EVEN THOUGH CAN COMMUNICATION SYSTEM IS NORMAL

- Removal/installation of parts: Error may be detected when removing and installing CAN communication unit and related parts while turning the ignition switch ON. (A DTC except for CAN communication may be detected.)
- Fuse blown out (removed): CAN communication of the unit may cease.
- Voltage drop: Error may be detected if voltage drops due to discharged battery when turning the ignition switch ON (Depending on the control unit which carries out CAN communication).
- Error may be detected if the power supply circuit of the control unit, which carries out CAN communication, malfunctions (Depending on the control unit which carries out CAN communication).
- Error may be detected if reprogramming is not completed normally.

CAUTION:

CAN communication system is normal if DTC of CAN communication is indicated on SELF-DIAG RESULTS of CONSULT under the above conditions. Erase the memory of the self-diagnosis of each unit.

Symptom When Error Occurs in CAN Communication System

INFOID:00000000688663

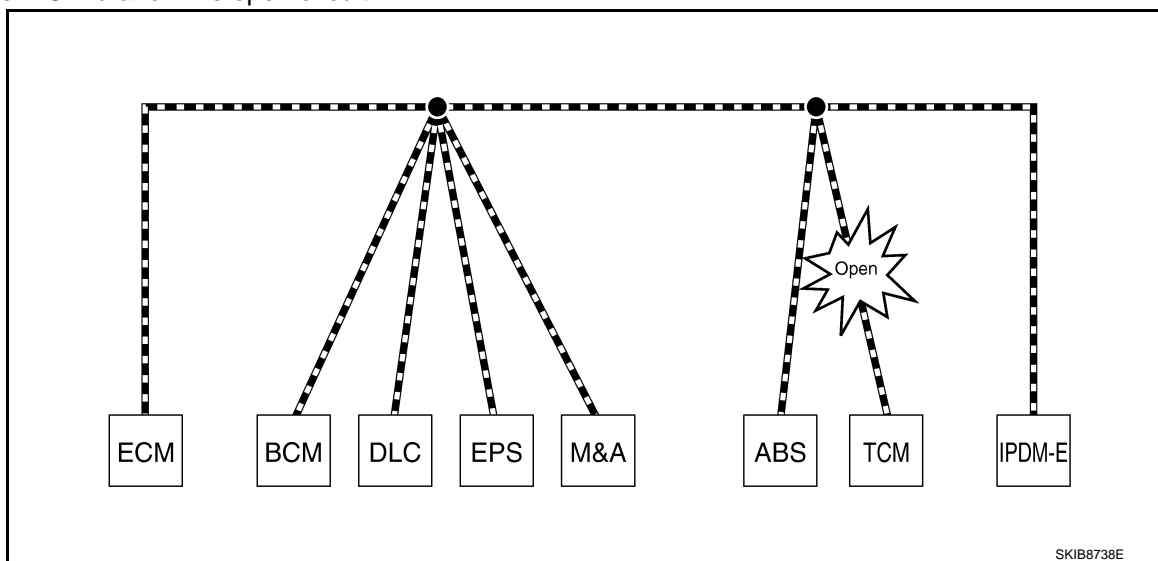
In CAN communication system, multiple units mutually transmit and receive signals. Each unit cannot transmit and receive signals if any error occurs on CAN communication line. Under this condition, multiple control units related to the root cause malfunction or go into fail-safe mode.

ERROR EXAMPLE

NOTE:

- Each vehicle differs in symptom of each unit under fail-safe mode and CAN communication line wiring.
- Refer to [LAN-30, "Abbreviation List"](#) for the unit abbreviation.

Example: TCM branch line open circuit



Unit name	Major symptom
ECM	Engine torque limiting is affected, and shift harshness increases.
BCM	Reverse warning chime does not sound.

A
B
C
D
E
F
G
H
I
J
K
L

LAN

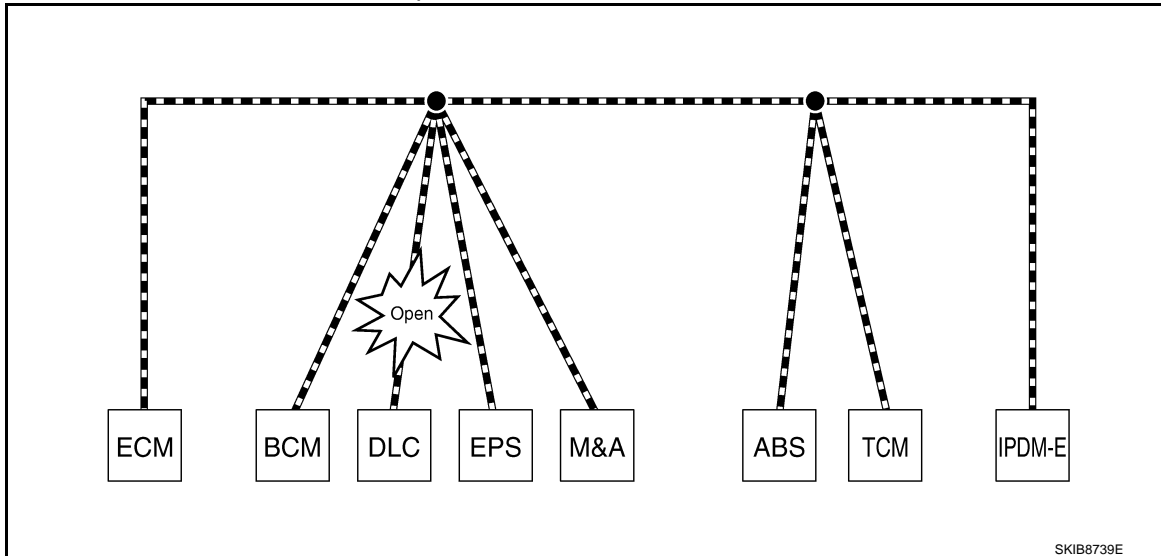
TROUBLE DIAGNOSIS

< SYSTEM DESCRIPTION >

[CAN FUNDAMENTAL]

Unit name	Major symptom
EPS control unit	Normal operation.
Combination meter	<ul style="list-style-type: none"> Shift position indicator and OD OFF indicator turn OFF. Warning lamps turn ON.
ABS actuator and electric unit (control unit)	Normal operation.
TCM	No impact on operation.
IPDM E/R	Normal operation.

Example: Data link connector branch line open circuit



Unit name	Major symptom
ECM	Normal operation.
BCM	
EPS control unit	
Combination meter	
ABS actuator and electric unit (control unit)	
TCM	
IPDM E/R	

NOTE:

- When data link connector branch line is open, transmission and reception of CAN communication signals are not affected. Therefore, no symptoms occur. However, be sure to repair malfunctioning circuit.
- The model (all units on CAN communication system are Diag on CAN) cannot perform CAN diagnosis with CONSULT if the following error occurs. The error is judged by the symptom.

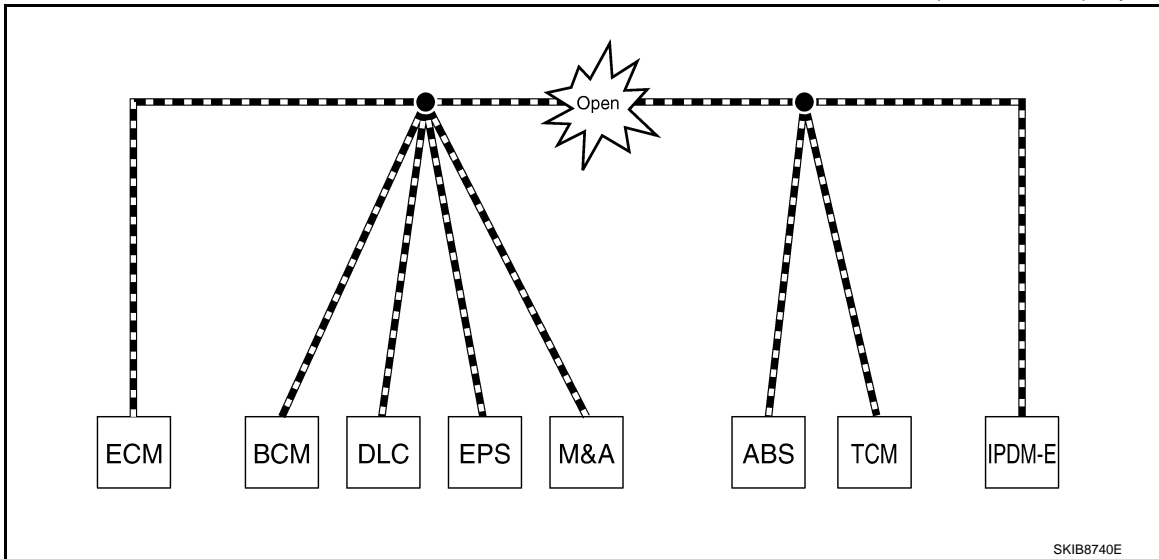
Error	Difference of symptom
Data link connector branch line open circuit	Normal operation.
CAN-H, CAN-L harness short-circuit	Most of the units which are connected to the CAN communication system enter fail-safe mode or are deactivated.

TROUBLE DIAGNOSIS

< SYSTEM DESCRIPTION >

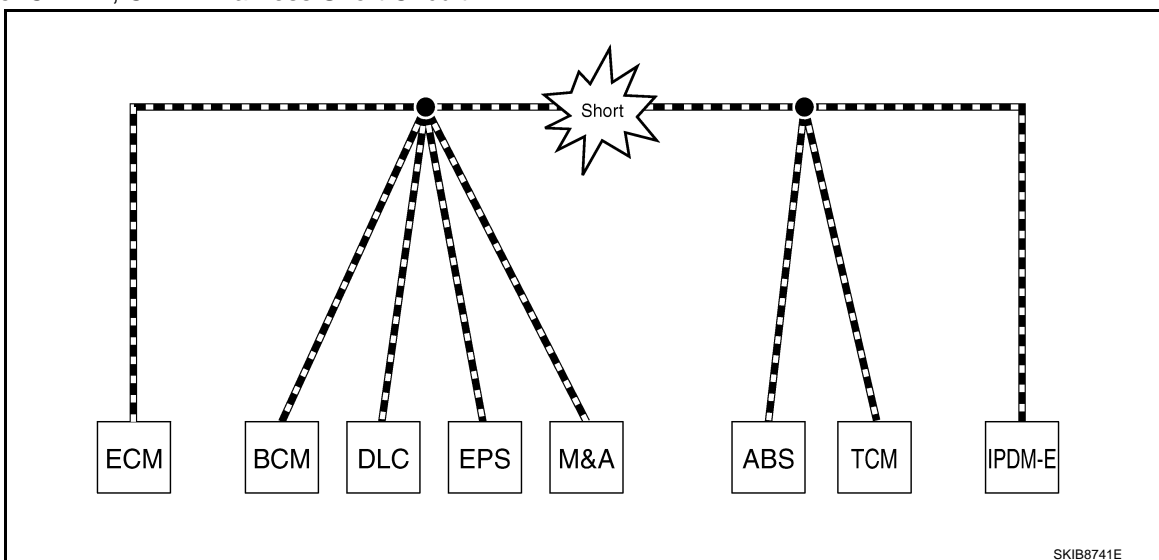
[CAN FUNDAMENTAL]

Example: Main Line Between Data Link Connector and ABS Actuator and Electric Unit (Control Unit) Open Circuit



Unit name	Major symptom
ECM	Engine torque limiting is affected, and shift harshness increases.
BCM	<ul style="list-style-type: none"> Reverse warning chime does not sound. The front wiper moves under continuous operation mode even though the front wiper switch being in the intermittent position.
EPS control unit	The steering effort increases.
Combination meter	<ul style="list-style-type: none"> The shift position indicator and OD OFF indicator turn OFF. The speedometer is inoperative. The odo/trip meter stops.
ABS actuator and electric unit (control unit)	Normal operation.
TCM	No impact on operation.
IPDM E/R	When the ignition switch is ON, <ul style="list-style-type: none"> The headlamps (Lo) turn ON. The cooling fan continues to rotate.

Example: CAN-H, CAN-L Harness Short Circuit



A
B
C
D
E
F
G
H
I
J
K
L
N
O
P

LAN

TROUBLE DIAGNOSIS

< SYSTEM DESCRIPTION >

[CAN FUNDAMENTAL]

Unit name	Major symptom
ECM	<ul style="list-style-type: none"> Engine torque limiting is affected, and shift harshness increases. Engine speed drops.
BCM	<ul style="list-style-type: none"> Reverse warning chime does not sound. The front wiper moves under continuous operation mode even though the front wiper switch being in the intermittent position. The room lamp does not turn ON. The engine does not start (if an error or malfunction occurs while turning the ignition switch OFF.) The steering lock does not release (if an error or malfunction occurs while turning the ignition switch OFF.)
EPS control unit	The steering effort increases.
Combination meter	<ul style="list-style-type: none"> The tachometer and the speedometer do not move. Warning lamps turn ON. Indicator lamps do not turn ON.
ABS actuator and electric unit (control unit)	Normal operation.
TCM	No impact on operation.
IPDM E/R	When the ignition switch is ON, <ul style="list-style-type: none"> The headlamps (Lo) turn ON. The cooling fan continues to rotate.

CAN Diagnosis with CONSULT

INFOID:000000006888664

CAN diagnosis on CONSULT extracts the root cause by receiving the following information.

- Response to the system call
- Control unit diagnosis information
- Self-diagnosis
- CAN diagnostic support monitor

Self-Diagnosis

INFOID:000000006888665

If communication signals cannot be transmitted or received among units communicating via CAN communication line, CAN communication-related DTC is displayed on the CONSULT "Self Diagnostic Result" screen.

NOTE:

The following table shows examples of CAN communication-related DTC. For other DTC, refer to the applicable sections.

DTC	Self-diagnosis item (CONSULT indication)	DTC detection condition		Inspection/Action
U1000	CAN COMM CIRCUIT	ECM	When ECM is not transmitting or receiving CAN communication signal of OBD (emission-related diagnosis) for 2 seconds or more.	Start the inspection. Refer to the applicable section of the indicated control unit.
		Except for ECM	When a control unit (except for ECM) is not transmitting or receiving CAN communication signal for 2 seconds or more.	
U1001	CAN COMM CIRCUIT	When ECM is not transmitting or receiving CAN communication signal other than OBD (emission-related diagnosis) for 2 seconds or more.		
U1002	SYSTEM COMM	When a control unit is not transmitting or receiving CAN communication signal for 2 seconds or less.		
U1010	CONTROL UNIT(CAN)	When an error is detected during the initial diagnosis for CAN controller of each control unit.		

CAN Diagnostic Support Monitor

INFOID:000000006888666

MONITOR ITEM (CONSULT)

TROUBLE DIAGNOSIS

< SYSTEM DESCRIPTION >

[CAN FUNDAMENTAL]

Example: CAN DIAG SUPPORT MNTR indication

Without PAST			With PAST		
ECM			ECM		
	PRSNT	PAST		PRSNT	PAST
INITIAL DIAG	OK		TRANSMIT DIAG	OK	OK
TRANSMIT DIAG	OK		VDC/TCS/ABS	-	-
TCM	OK		METER/M&A	OK	OK
VDC/TCS/ABS	UNKWN		BCM/SEC	OK	OK
METER/M&A	OK		ICC	-	-
ICC	UNKWN		HVAC	-	-
BCM/SEC	OK		TCM	OK	OK
IPDM E/R	OK		EPS	-	-
			IPDM E/R	OK	OK
			e4WD	-	-
			AWD/4WD	OK	OK

JSMIA0015GB

Without PAST

Item	PRSNT	Description
Initial diagnosis	OK	Normal at present
	NG	Control unit error (Except for some control units)
Transmission diagnosis	OK	Normal at present
	UNKWN	Unable to transmit signals for 2 seconds or more. Diagnosis not performed
Control unit name (Reception diagnosis)	OK	Normal at present
	UNKWN	Unable to receive signals for 2 seconds or more. Diagnosis not performed
	UNKWN	No control unit for receiving signals. (No applicable optional parts)

With PAST

Item	PRSNT	PAST	Description
Transmission diagnosis	OK	OK	Normal at present and in the past
		1 – 39	Normal at present, but unable to transmit signals for 2 seconds or more in the past. (The number indicates the number of ignition switch cycles from OFF to ON.)
	UNKWN	0	Unable to transmit signals for 2 seconds or more at present.
Control unit name (Reception diagnosis)	OK	OK	Normal at present and in the past
		1 – 39	Normal at present, but unable to receive signals for 2 seconds or more in the past. (The number indicates the number of ignition switch cycles from OFF to ON.)
	UNKWN	0	Unable to receive signals for 2 seconds or more at present.
	-	-	Diagnosis not performed. No control unit for receiving signals. (No applicable optional parts)

MONITOR ITEM (ON-BOARD DIAGNOSIS)

NOTE:

For some models, CAN communication diagnosis result is received from the vehicle monitor.

TROUBLE DIAGNOSIS

[CAN FUNDAMENTAL]

< SYSTEM DESCRIPTION >

Example: Vehicle Display

Item	Result indicated	Error counter	Description
CAN_COMM (Initial diagnosis)	OK	0	Normal at present
	NG	1 – 50	Control unit error (The number indicates how many times diagnosis has been run.)
CAN_CIRC_1 (Transmission diagnosis)	OK	0	Normal at present
	UNKWN	1 – 50	Unable to transmit for 2 seconds or more at present. (The number indicates how many times diagnosis has been run.)
CAN_CIRC_2 – 9 (Reception diagnosis of each unit)	OK	0	Normal at present
	UNKWN	1 – 50	Unable to transmit for 2 seconds or more at present. (The number indicates how many times diagnosis has been run.)
			Diagnosis not performed.
			No control unit for receiving signals. (No applicable optional parts)

How to Use CAN Communication Signal Chart

INFOID:000000006888667

The CAN communication signal chart lists the signals needed for trouble diagnosis. It is useful for detecting the root cause by finding a signal related to the symptom, and by checking transmission and reception unit.

Example: Tachometer does not move even though the engine rotates.

T: Transmit R: Receive

Signal name/Connecting unit	ECM	BCM	M&A	STRG	ABS	IPDM-E
A/C compressor feedback signal	T		R			
A/C compressor request signal	T					R
Accelerator pedal position signal	T				R	
Cooling fan motor operation signal	T					R
Engine coolant temperature signal	T		R			
Engine speed signal	T		R		R	
Fuel consumption monitor signal	T		R			
Malfunction indicator lamp signal	T		R			
A/C switch signal	R	T				
Ignition switch signal		T				R
Sleep/wake up signal		T	R			R

↓

It indicates that an error occurs between ECM and M&A (Shaded area).

CAN-H, CAN-L

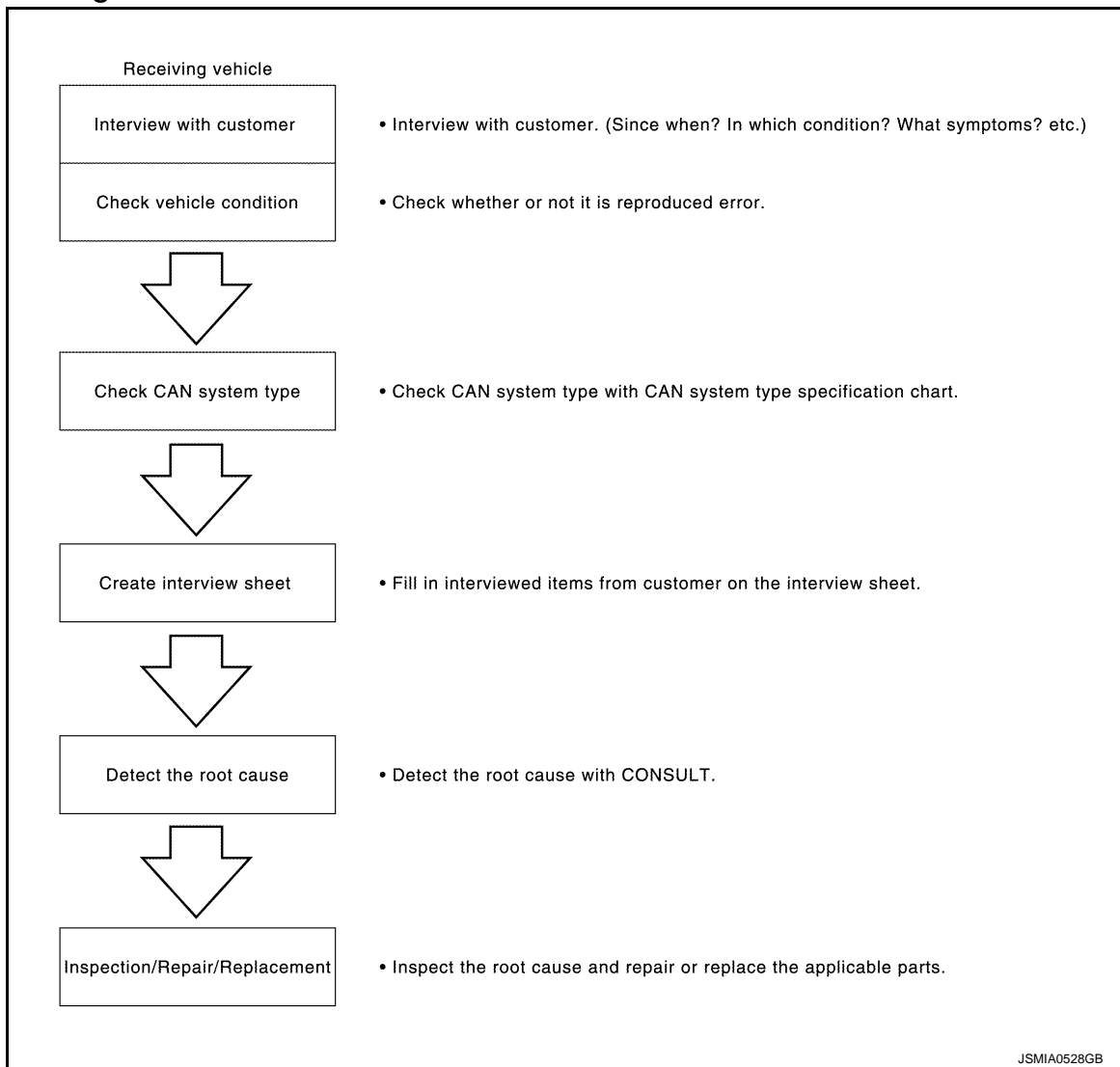
SKIB8715E

BASIC INSPECTION

DIAGNOSIS AND REPAIR WORKFLOW

Trouble Diagnosis Flow Chart

INFOID:0000000006888668



A
B
C
D
E
F
G
H
I
J
K
L

Trouble Diagnosis Procedure

INFOID:0000000006888669

LAN

INTERVIEW WITH CUSTOMER

Interview with the customer is important to detect the root cause of CAN communication system errors and to understand vehicle condition and symptoms for proper trouble diagnosis.

Points in interview

- What: Parts name, system name
- When: Date, Frequency
- Where: Road condition, Place
- In what condition: Driving condition/environment
- Result: Symptom

NOTE:

- Check normal units as well as error symptoms.
- Example: Circuit between ECM and the combination meter is judged normal if the customer indicates tachometer functions normally.
- When a CAN communication system error is present, multiple control units may malfunction or go into fail-safe mode.

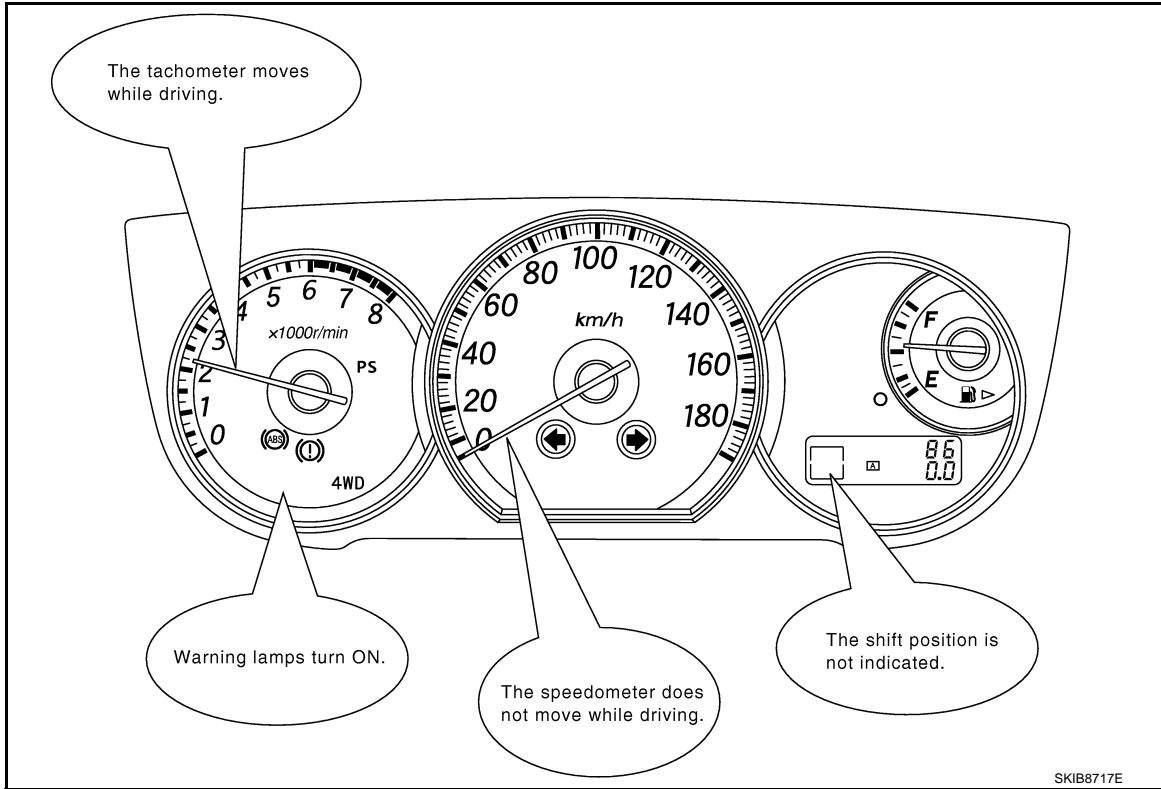
N
O
P

DIAGNOSIS AND REPAIR WORKFLOW

< BASIC INSPECTION >

[CAN FUNDAMENTAL]

- Indication of the combination meter is important to detect the root cause because it is the most obvious to the customer, and it performs CAN communication with many units.



INSPECTION OF VEHICLE CONDITION

Check whether the symptom is reproduced or not.

NOTE:

Do not turn the ignition switch OFF or disconnect the battery cable while reproducing the error. The error may temporarily correct itself, making it difficult to determine the root cause.

CHECK OF CAN SYSTEM TYPE (HOW TO USE CAN SYSTEM TYPE SPECIFICATION CHART)

Determine CAN system type based on vehicle equipment.

NOTE:

- This chart is used if CONSULT does not automatically recognize CAN system type.
- There are two styles for CAN system type specification charts. Depending on the number of available system types, either style A or style B may be used.

CAN System Type Specification Chart (Style A)

NOTE:

DIAGNOSIS AND REPAIR WORKFLOW

< BASIC INSPECTION >

[CAN FUNDAMENTAL]

CAN system type is easily checked with the vehicle equipment identification information shown in the chart.

Example:
Vehicle is equipped as follows: Wagon, AWD, VQ35DE, CVT, VDC, and Intelligent Key system. (○ shows an example of CAN system type.)

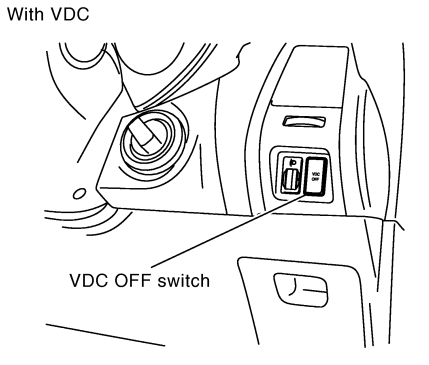
CAN System Specification Chart
Determine CAN system type from the following specification chart.

Body type	Wagon					
Axle	2WD			AWD		
Engine	QR25DE		VQ35DE			
Transmission	A/T			CVT		
Brake control	ABS			VDC		
Intelligent Key system		X		X		X
CAN system type	1	2	3	4	5	6
CAN communication signal chart	XX-XX. "TYPE 1/TYPE 2"		XX-XX. "TYPE 3/TYPE 4"		XX-XX. "TYPE 5/TYPE 6"	

X : Applicable

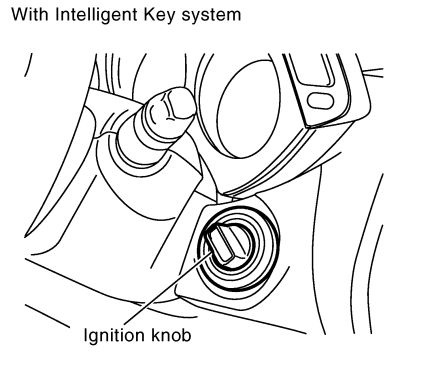
VEHICLE EQUIPMENT IDENTIFICATION INFORMATION
NOTE:
Check CAN system type from the vehicle shape and equipment.

With VDC



VDC OFF switch

With Intelligent Key system



Ignition knob

[For the above case, CAN system type is "6".]

JSMIA0017GB

A
B
C
D
E
F
G
H
I
J
K
L

CAN System Type Specification Chart (Style B)

NOTE:

LAN

N
O
P

DIAGNOSIS AND REPAIR WORKFLOW

< BASIC INSPECTION >

[CAN FUNDAMENTAL]

CAN system type is easily checked with the vehicle equipment identification information shown in the chart.

Example:

Vehicle is equipped as follows: Sedan, 2WD, MR20DE, CVT, ABS, Active AFS, Intelligent Key system, Navigation system and Automatic drive positioner. (○ shows an example of CAN system type.)

CAN System Specification Chart

Refer to the specification as shown in the chart.

Body type	Sedan		
Axle	2WD		AWD
Engine	HR15DE	MR20DE	HR15DE
Transmission	AT	CVT	AT
Brake control	ABS		
Specification chart	XXX SPECIFICATION CHART A	YYY SPECIFICATION CHART B	XXX SPECIFICATION CHART C

Check the vehicle equipment with the vehicle identification number plate.

Check the vehicle equipment.

Select the applicable vehicle equipment. Refer to the specification chart.

x: Applicable

SPECIFICATION CHART B

Determine CAN system type from the following specification chart.

Body type	Sedan											
Axle	2WD											
Engine	MR20DE											
Transmission	CVT											
Brake control	ABS											
Active AFS	x			x	x			x	x	x		
Intelligent Key system		x		x		x	x	x	x	x		
Navigation system			x			x	x		x			
Automatic drive positioner							x		x	x		
CAN system type	9	10	11	12	13	14	15	16	17	18	19	20
CAN communication signal chart	XXX SPECIFICATION CHART A											

Check the vehicle equipment.

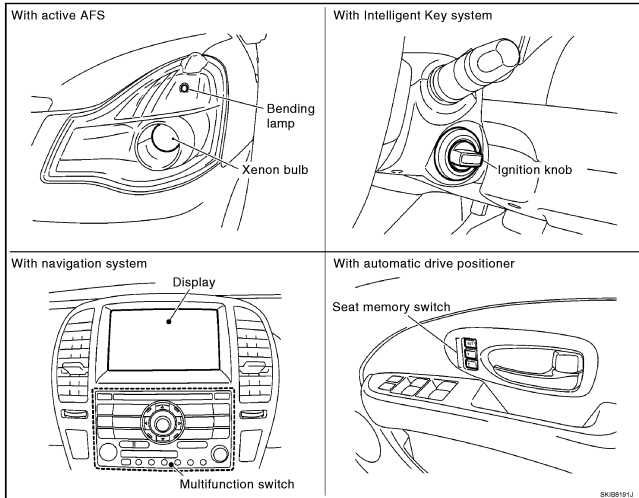
The number indicates the CAN system type of the vehicle.

x: Applicable

VEHICLE EQUIPMENT IDENTIFICATION INFORMATION

NOTE:

Check CAN system type from the vehicle shape and equipment.



In the above example,

- Checking Xenon bulb and bending lamp lead to judge whether or not Active AFS is equipped.
- Checking the ignition knob leads to judge whether or not Intelligent Key system is equipped.
- Checking display and multifunction switch lead to judge whether or not Navigation system is equipped.
- Checking seat memory switch leads to judge whether or not Automatic drive positioner is equipped.

[For the above case, CAN system type is "20".]

JSMIA0018GB

CREATE INTERVIEW SHEET

Fill out the symptom described by the customer, vehicle condition, and CAN system type on the interview sheet.

DIAGNOSIS AND REPAIR WORKFLOW

< BASIC INSPECTION >

[CAN FUNDAMENTAL]

Interview Sheet (Example)

CAN Communication System Diagnosis Interview Sheet	
Date received:	3, Feb. 2006
Type: DBA-KG11	VIN No.: KG11-005040
Model: BDRARGZ397EDA-E-J-	
First registration: 10, Jan. 2001	Mileage: 62,140
CAN system type:	Type 19
Symptom (Results from interview with customer)	
<ul style="list-style-type: none">• Headlamps suddenly turn ON while driving the vehicle.• The engine does not restart after stopping the vehicle and turning the ignition switch OFF.• The cooling fan continues rotating while turning the ignition switch ON.	
Condition at inspection	
Error Symptom: Present / Past	
<p>The engine does not start. While turning the ignition switch ON,</p> <ul style="list-style-type: none">• The headlamps (Lo) turn ON, and the cooling fan continues rotating.• The interior lamp does not turn ON.	

JSMIA0019GB

DETECT THE ROOT CAUSE

CAN diagnosis function of CONSULT detects the root cause.

A
B
C
D
E
F
G
H
I
J
K
L
N
O
P

LAN

HOW TO USE THIS SECTION

< HOW TO USE THIS MANUAL >

[CAN]

HOW TO USE THIS MANUAL

HOW TO USE THIS SECTION

Caution

INFOID:000000006888670

- This section describes information peculiar to a vehicle and inspection procedures.
- For trouble diagnosis procedure, refer to [LAN-25, "Trouble Diagnosis Procedure"](#).

Abbreviation List

INFOID:000000006888671

Unit name abbreviations in CONSULT CAN diagnosis and in this section are as per the following list.

Abbreviation	Unit name
4WD	AWD control unit
A-BAG	Air bag diagnosis sensor unit
ABS	ABS actuator and electric unit (control unit)
ADP	Driver seat control unit
AFS	AFS control unit
APA	Accelerator pedal actuator
AV	AV control unit
BCM	BCM
CGW	CAN gateway
DLC	Data link connector
ECM	ECM
HVAC	A/C auto amp.
ICC	ADAS control unit
IPDM-E	IPDM E/R
LANE	Lane camera unit
LASER	ICC sensor
M&A	Combination meter
PSB	Pre-crash seat belt control unit (driver side)
RAS	4WAS main control unit
RDR-L	Side radar LH
RDR-R	Side radar RH
STRG	Steering angle sensor
TCM	TCM
TPMS	Low tire pressure warning control unit

PRECAUTION

PRECAUTIONS

Precaution for Supplemental Restraint System (SRS) "AIR BAG" and "SEAT BELT PRE-TENSIONER"

INFOID:000000006888672

The Supplemental Restraint System such as "AIR BAG" and "SEAT BELT PRE-TENSIONER", used along with a front seat belt, helps to reduce the risk or severity of injury to the driver and front passenger for certain types of collision. This system includes seat belt switch inputs and dual stage front air bag modules. The SRS system uses the seat belt switches to determine the front air bag deployment, and may only deploy one front air bag, depending on the severity of a collision and whether the front occupants are belted or unbelted. Information necessary to service the system safely is included in the "SRS AIR BAG" and "SEAT BELT" of this Service Manual.

WARNING:

Always observe the following items for preventing accidental activation.

- To avoid rendering the SRS inoperative, which could increase the risk of personal injury or death in the event of a collision that would result in air bag inflation, all maintenance must be performed by an authorized NISSAN/INFINITI dealer.
- Improper maintenance, including incorrect removal and installation of the SRS, can lead to personal injury caused by unintentional activation of the system. For removal of Spiral Cable and Air Bag Module, see "SRS AIR BAG".
- Never use electrical test equipment on any circuit related to the SRS unless instructed to in this Service Manual. SRS wiring harnesses can be identified by yellow and/or orange harnesses or harness connectors.

PRECAUTIONS WHEN USING POWER TOOLS (AIR OR ELECTRIC) AND HAMMERS

WARNING:

Always observe the following items for preventing accidental activation.

- When working near the Air Bag Diagnosis Sensor Unit or other Air Bag System sensors with the ignition ON or engine running, never use air or electric power tools or strike near the sensor(s) with a hammer. Heavy vibration could activate the sensor(s) and deploy the air bag(s), possibly causing serious injury.
- When using air or electric power tools or hammers, always switch the ignition OFF, disconnect the battery, and wait at least 3 minutes before performing any service.

Precautions for Trouble Diagnosis

INFOID:000000006888673

CAUTION:

- Never apply 7.0 V or more to the measurement terminal.
- Use a tester with open terminal voltage of 7.0 V or less.
- Turn the ignition switch OFF and disconnect the battery cable from the negative terminal when checking the harness.

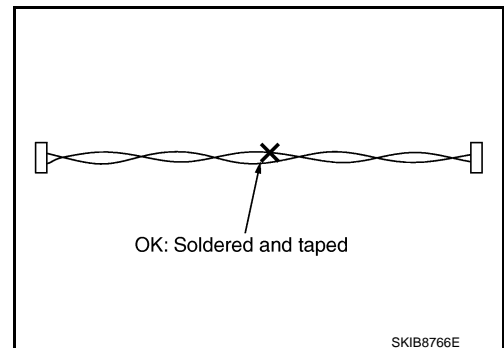
Precautions for Harness Repair

INFOID:000000006888674

- Solder the repaired area and wrap tape around the soldered area.

NOTE:

A fray of twisted lines must be within 110 mm (4.33 in).



SKIB8766E

A
B
C
D
E
F
G
H
I
J
K
L
N
O
P

LAN

PRECAUTIONS

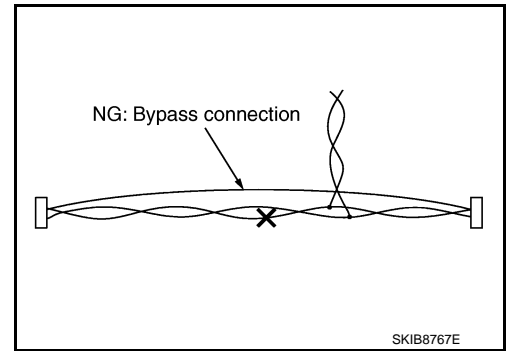
[CAN]

< PRECAUTION >

- Bypass connection is never allowed at the repaired area.

NOTE:

Bypass connection may cause CAN communication error. The spliced wire becomes separated and the characteristics of twisted line are lost.



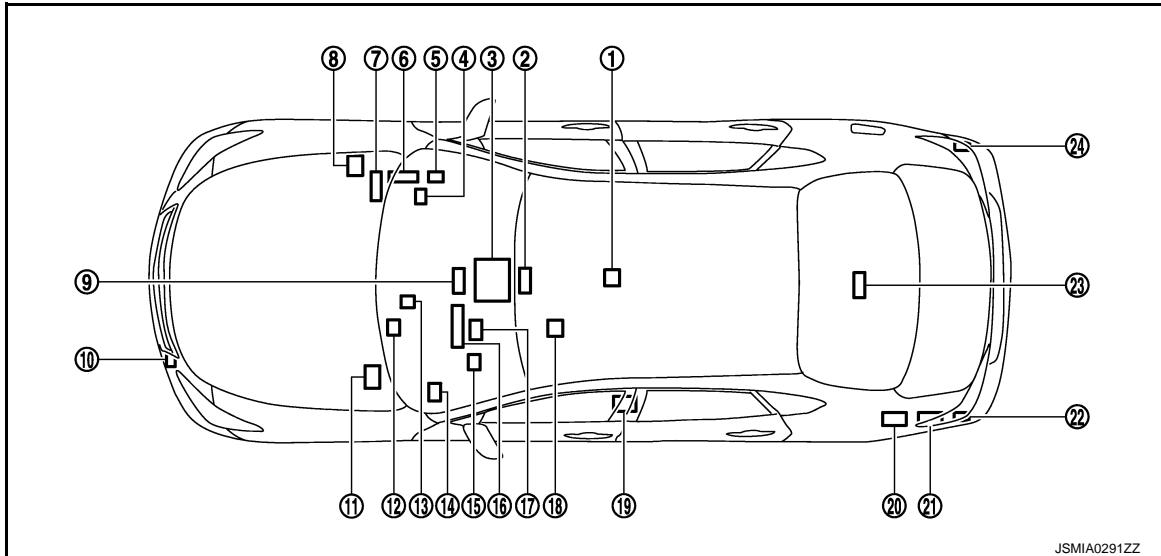
- Replace the applicable harness as an assembly if error is detected on the shield lines of CAN communication line.

SYSTEM DESCRIPTION

COMPONENT PARTS

Component Parts Location

INFOID:000000006888675



- | | | |
|--|---|------------------------------|
| 1. Air bag diagnosis sensor unit | 2. Lane camera unit | 3. A/T assembly |
| 4. CAN gateway | 5. Low tire pressure warning control unit | 6. A/C auto amp. |
| 7. ECM | 8. IPDM E/R | 9. AV control unit |
| 10. ICC sensor | 11. ABS actuator and electric unit (control unit) | 12. BCM |
| 13. Accelerator pedal actuator | 14. AFS control unit | 15. Data link connector |
| 16. Combination meter | 17. Steering angle sensor | 18. Driver seat control unit |
| 19. Pre-crash seat belt control unit (driver side) | 20. 4WAS main control unit | 21. AWD control unit |
| 22. Side radar LH | 23. ADAS control unit | 24. Side radar RH |

A
B
C
D
E
F
G
H
I
J
K
L
N
O
P

LAN

SYSTEM

< SYSTEM DESCRIPTION >

[CAN]

SYSTEM

CAN COMMUNICATION SYSTEM

CAN COMMUNICATION SYSTEM : CAN System Specification Chart

INFOID:000000006888676

Determine CAN system type from the following specification chart.

NOTE:

Refer to [LAN-25. "Trouble Diagnosis Procedure"](#) for how to use CAN system specification chart.

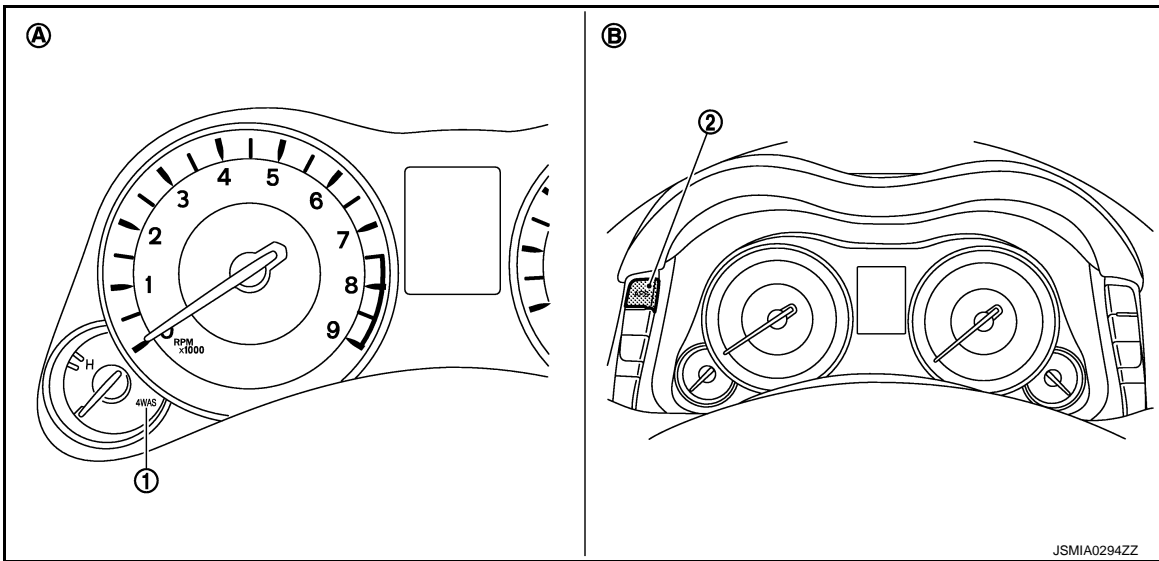
Body type	Sedan											
Axle	2WD						AWD					
Engine	VQ37VHR			VK56VD			VQ37VHR			VK56VD		
Transmission	A/T											
Brake control	VDC											
4WAS		×		×		×		×				
Active AFS			×	×			×	×		×		×
CAN system type	1	2	3	4	5	6	7	8	9	10	11	12
CAN communication unit												
ECM	×	×	×	×	×	×	×	×	×	×	×	×
Low tire pressure warning control unit	×	×	×	×	×	×	×	×	×	×	×	×
CAN gateway			×	×			×	×		×		×
A/C auto amp.	×	×	×	×	×	×	×	×	×	×	×	×
TCM	×	×	×	×	×	×	×	×	×	×	×	×
Air bag diagnosis sensor unit	×	×	×	×	×	×	×	×	×	×	×	×
AV control unit	×	×	×	×	×	×	×	×	×	×	×	×
Combination meter	×	×	×	×	×	×	×	×	×	×	×	×
Data link connector	×	×	×	×	×	×	×	×	×	×	×	×
BCM	×	×	×	×	×	×	×	×	×	×	×	×
Steering angle sensor	×	×	×	×	×	×	×	×	×	×	×	×
AWD control unit									×	×	×	×
4WAS main control unit		×		×		×		×				
ABS actuator and electric unit (control unit)	×	×	×	×	×	×	×	×	×	×	×	×
AFS control unit			×	×			×	×		×		×
IPDM E/R	×	×	×	×	×	×	×	×	×	×	×	×
Driver seat control unit	×	×	×	×	×	×	×	×	×	×	×	×
ADAS control unit			×	×			×	×		×		×
Pre-crash seat belt control unit (driver side)			×	×			×	×		×		×
ITS communication unit												
ADAS control unit			×	×			×	×		×		×
Side radar LH			×	×			×	×		×		×
Side radar RH			×	×			×	×		×		×
Accelerator pedal actuator			×	×			×	×		×		×
Lane camera unit			×	×			×	×		×		×
ICC sensor			×	×			×	×		×		×

×: Applicable

VEHICLE EQUIPMENT IDENTIFICATION INFORMATION

NOTE:

Check CAN system type from the vehicle shape and equipment.



- 1. 4WAS warning lamp
- 2. AFS switch
- A. With 4WAS
- B. With active AFS

CAN COMMUNICATION SYSTEM : CAN Communication Signal Chart

INFOID:000000006888677

Refer to [LAN-24. "How to Use CAN Communication Signal Chart"](#) for how to use CAN communication signal chart.

NOTE:

Refer to [LAN-30. "Abbreviation List"](#) for the abbreviations of the connecting units.

T: Transmit R: Receive

Signal name	ECM	TPMS	CGW	HVAC	TCM	AV	M&A	BCM	STRG	4WD	RAS	ABS	AFS	IPDM-E	ADP	ICC	PSB
A/C compressor request signal	T													R			
Accelerator pedal position signal	T				R					R		R				R	
ASCD OD cancel request signal	T				R												
ASCD operation signal	T				R												
ASCD status signal	T						R										
Closed throttle position signal	T				R											R	
Cooling fan speed request signal	T													R			
ECO drive indicator control signal	T						R										
ECO pedal reaction force control signal	T															R	
ECO pedal reaction force setting signal	T					R											
	R					T											
Engine and A/T integrated control signal	T				R												
	R				T												
Engine coolant temperature signal	T			R			R										
Engine speed signal	T				R		R			R	R	R	R			R	
Engine status signal	T					R	R	R									
Fuel consumption monitor signal	T					R	R										
ICC brake switch signal	T															R	
ICC operation signal	T				R												
	R											R				T	

SYSTEM

< SYSTEM DESCRIPTION >

[CAN]

Signal name	ECM	TPMS	CGW	HVAC	TCM	AV	M&A	BCM	STRG	4WD	RAS	ABS	AFS	IPDM-E	ADP	ICC	PSB
ICC prohibition signal	T															R	
ICC steering switch signal	T															R	
Malfunctioning indicator lamp signal	T						R										
N idle instruction signal	R				T												
	T				R												
Oil pressure warning lamp signal	T						R										
Power generation command value signal	T													R			
Snow mode switch signal	T											R				R	
Stop lamp switch signal	T															R	
					R			T									
										R		T				R	
Wide open throttle position signal	T				R												
Buzzer request signal		T						R									
							R	T									
Low tire pressure warning lamp signal							R	T									
		T				R	R	R									
Tire pressure data signal		T				R											
A/C display signal				T		R											
A/C evaporator temperature signal	R			T													
A/C ON signal	R			T													
Ambient sensor signal				T			R										
Blower fan ON signal	R			T													
ECO mode signal				T	R		R										R
	R				T												
SNOW mode signal				T	R		R										R
	R				T												
SPORT mode signal				T	R		R				R						R
	R				T												
STANDARD mode signal				T	R		R				R						R
	R				T												
Target A/C evaporator temperature signal	R			T													
A/T CHECK indicator lamp signal					T		R						R				
A/T self-diagnosis signal	R				T												
Current gear position signal	R				T												R
Drive mode select signal	R				T												R
Input speed signal					T												R
Manual mode shift refusal signal					T		R										
N range signal					T			R				R					
Next gear position signal	R				T												
Output shaft revolution signal	R				T												R
P range signal					T			R									

SYSTEM

< SYSTEM DESCRIPTION >

[CAN]

Signal name	ECM	TPMS	CGW	HVAC	TCM	AV	M&A	BCM	STRG	4WD	RAS	ABS	AFS	IPDM-E	ADP	ICC	PSB	A
R range signal					T							R						A
Shift position signal					T		R						R		R	R		B
Shift schedule signal	R				T													C
A/C switch operation signal				R		T												C
Rear window defogger switch signal						T		R										D
System selection signal						T										R		D
System setting signal						T		R										D
Voice recognition signal				R		R		T										E
Brake fluid level switch signal							T					R						E
Distance to empty signal						R	T											F
Fuel level low warning signal						R	T											F
Fuel level sensor signal	R						T											F
Manual mode shift down signal					R		T											G
Manual mode shift up signal					R		T											G
Manual mode signal					R		T											H
Non-manual mode signal					R		T											H
Odometer signal							T	R										I
Paddle shifter shift down signal*					R		T											I
Paddle shifter shift up signal*					R		T											I
Parking brake switch signal							T	R		R		R				R		J
Seat belt buckle switch signal (driver side)							T	R										J
Sleep-ready signal							T	R					T					K
Vehicle speed signal	R			R	R	R	T	R				R	R	R	R		R	L
Wake up signal		R					R	R		R	R	T			R	R		L
Blower fan motor switch signal	R							T										L
Buzzer output signal							R	T										LAN
Day time running light request signal								R						R				N
Dimmer signal							R	T								R		N
Door switch signal							R	T						R	R		R	O
Door unlock signal								T							R			O
Front fog light request signal							R	T						R				P
Front wiper request signal								T						R		R		P
Handle position signal								T							R			P
High beam request signal							R	T						R				P
Horn reminder signal								T						R				P
Ignition switch ON signal								T						R			R	P
Ignition switch signal								R						T				P
Ignition switch signal								T							R		R	P

SYSTEM

< SYSTEM DESCRIPTION >

[CAN]

Signal name	ECM	TPMS	CGW	HVAC	TCM	AV	M&A	BCM	STRG	4WD	RAS	ABS	AFS	IPDM-E	ADP	ICC	PSB
Intelligent Key system warning display signal							R	T									
Interlock/PNP switch signal								T						R			
								R						T			
Key ID signal				R				T							R		
Low beam request signal								T						R			
Meter display signal							R	T									
							R									T	
Meter ring illumination request signal							R	T									
Oil pressure switch signal								R	T								
									R					T			
Position light request signal							R	T						R			
Rear window defogger control signal								T						R			
	R					R								T			
Sleep wake up signal			R				R	T						R	R		R
Starter control relay signal								T						R			
Starter relay status signal							R	T						R			
								R						T			
Starting mode signal								T							R		
Theft warning horn request signal								T						R			
Trunk switch signal							R	T									
Turn indicator signal					R		R	T								R	
Steering angle sensor malfunction signal									T							R	R
Steering angle sensor signal						R			T		R	R	R			R	R
Steering angle speed signal									T							R	R
Steering calibration signal									T								R
AWD signal										T		R					
AWD warning lamp signal							R			T							
4WAS signal											T	R					
4WAS warning lamp signal							R				T						
A/T shift schedule change demand signal					R							T					
ABS malfunction signal												T				R	
ABS operation signal					R							T				R	R
ABS warning lamp signal							R					T				R	
Brake warning lamp signal							R					T					
Decel G sensor signal					R							T					
Pressure sensor signal					R							T					
Side G sensor signal					R							T				R	
TCS gear keep request signal					R							T					
TCS malfunction signal												T				R	
TCS operation signal												T				R	
VDC malfunction signal					R							T				R	

SYSTEM

< SYSTEM DESCRIPTION >

[CAN]

Signal name	ECM	TPMS	CGW	HVAC	TCM	AV	M&A	BCM	STRG	4WD	RAS	ABS	AFS	IPDM-E	ADP	ICC	PSB
VDC OFF indicator lamp signal							R					T					
VDC OFF switch signal												T				R	
VDC operation signal												T				R	
VDC warning lamp signal							R					T					
Yaw rate signal												T				R	
AFS OFF indicator lamp signal							R						T				
A/C compressor feedback signal	R			R										T			
Front wiper position signal								R						T			
High beam status signal	R												R	T			
Hood switch signal								R						T			
Low beam status signal	R												R	T			
Push-button ignition switch status signal								R						T			
Active Trace control signal												R				T	
Brake fluid pressure control signal												R				T	
BSI ON indicator signal							R									T	
BSW/BSI warning lamp signal							R									T	
IBA OFF indicator lamp signal							R									T	
IBA operation signal																T	R
ICC warning lamp signal							R									T	
Lane departure warning lamp signal							R									T	
LDP ON indicator lamp signal							R									T	
Target yaw moment signal												R				T	

*: Models with paddle shifter

NOTE:

CAN data of the air bag diagnosis sensor unit is not used by usual service work, thus it is omitted.

A
B
C
D
E
F
G
H
I
J
K
L
N
O
P

LAN

CAN SYSTEM (WITH ICC)

[CAN]

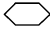
< WIRING DIAGRAM >

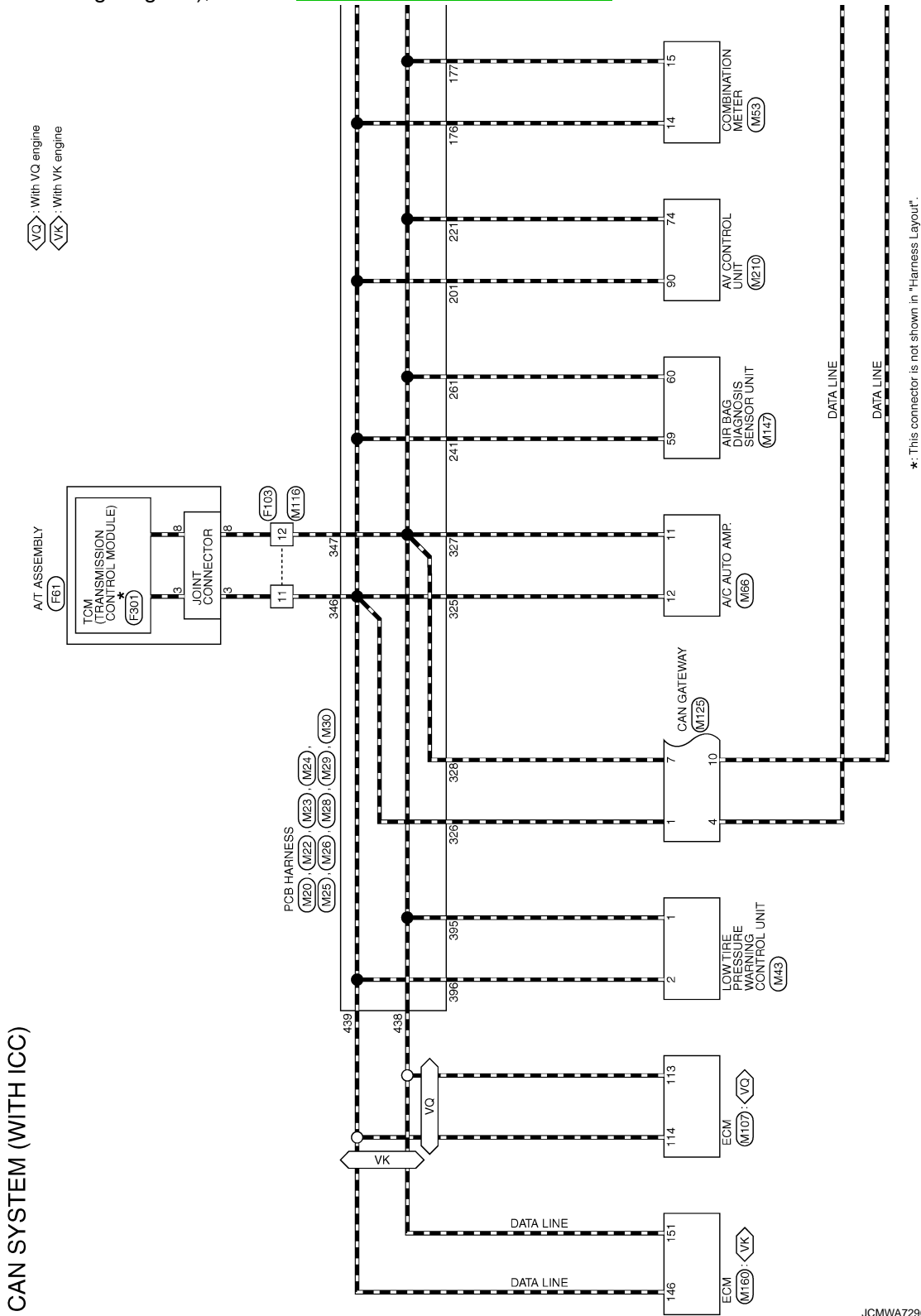
WIRING DIAGRAM

CAN SYSTEM (WITH ICC)

Wiring Diagram

INFOID:000000006888678

For connector terminal arrangements, harness layouts, and alphabets in a  (option abbreviation; if not described in wiring diagram), refer to [GI-12. "Connector Information"](#).



CAN SYSTEM (WITH ICC)

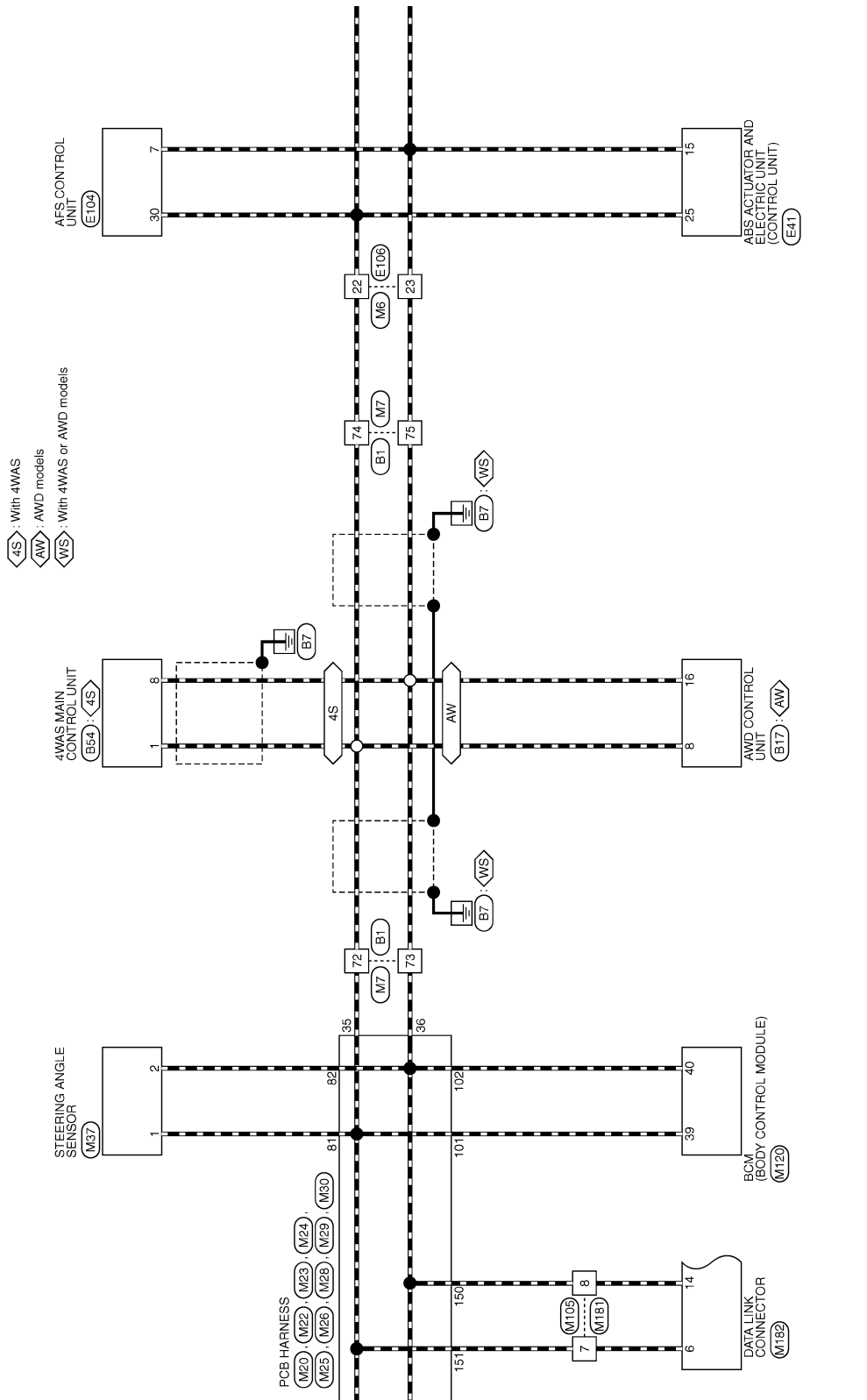
2010/12/14

JCMWA7290GB

CAN SYSTEM (WITH ICC)

< WIRING DIAGRAM >

[CAN]



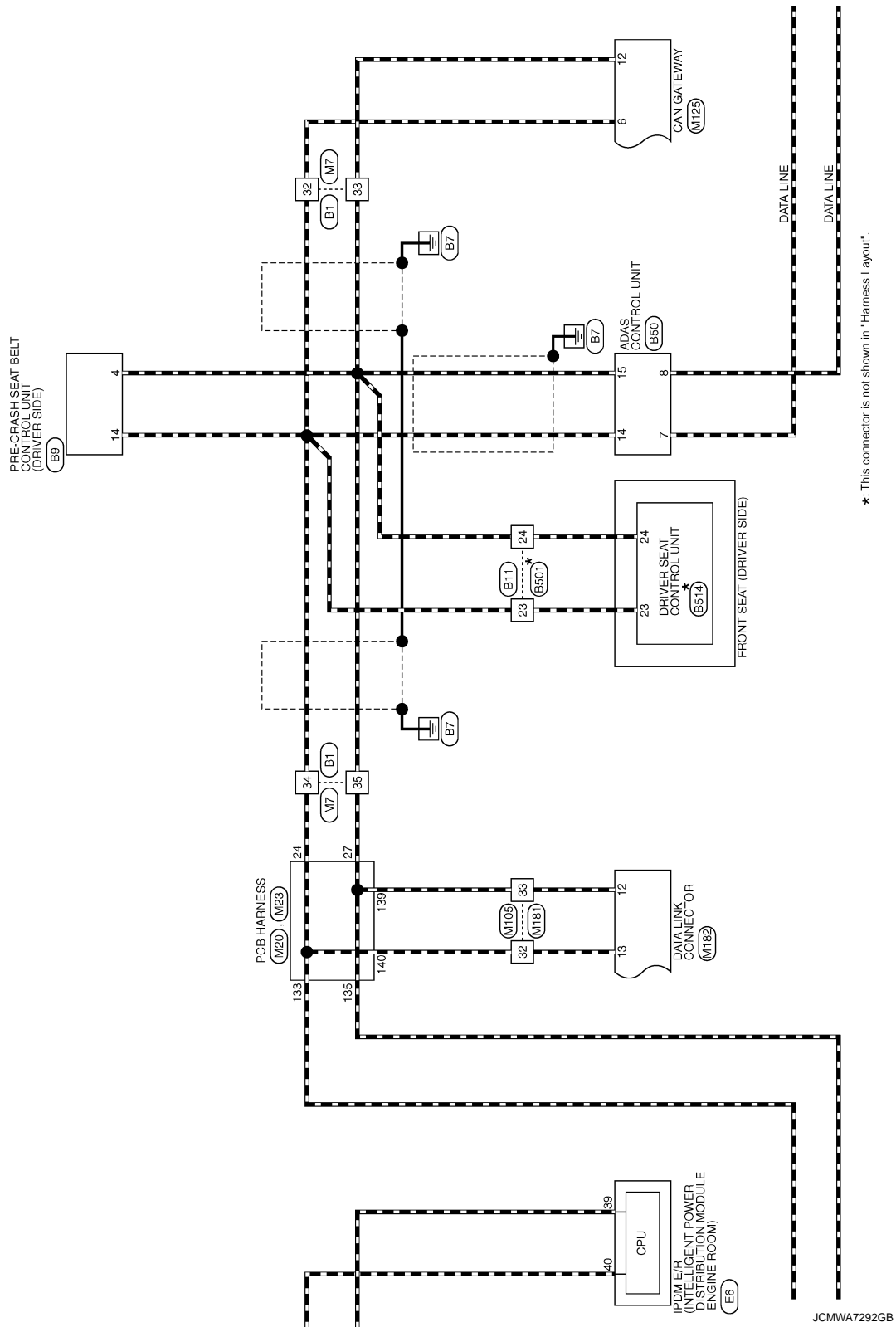
JCMWA7291GB

A
B
C
D
E
F
G
H
I
J
K
L
LAN
N
O
P

CAN SYSTEM (WITH ICC)

< WIRING DIAGRAM >

[CAN]



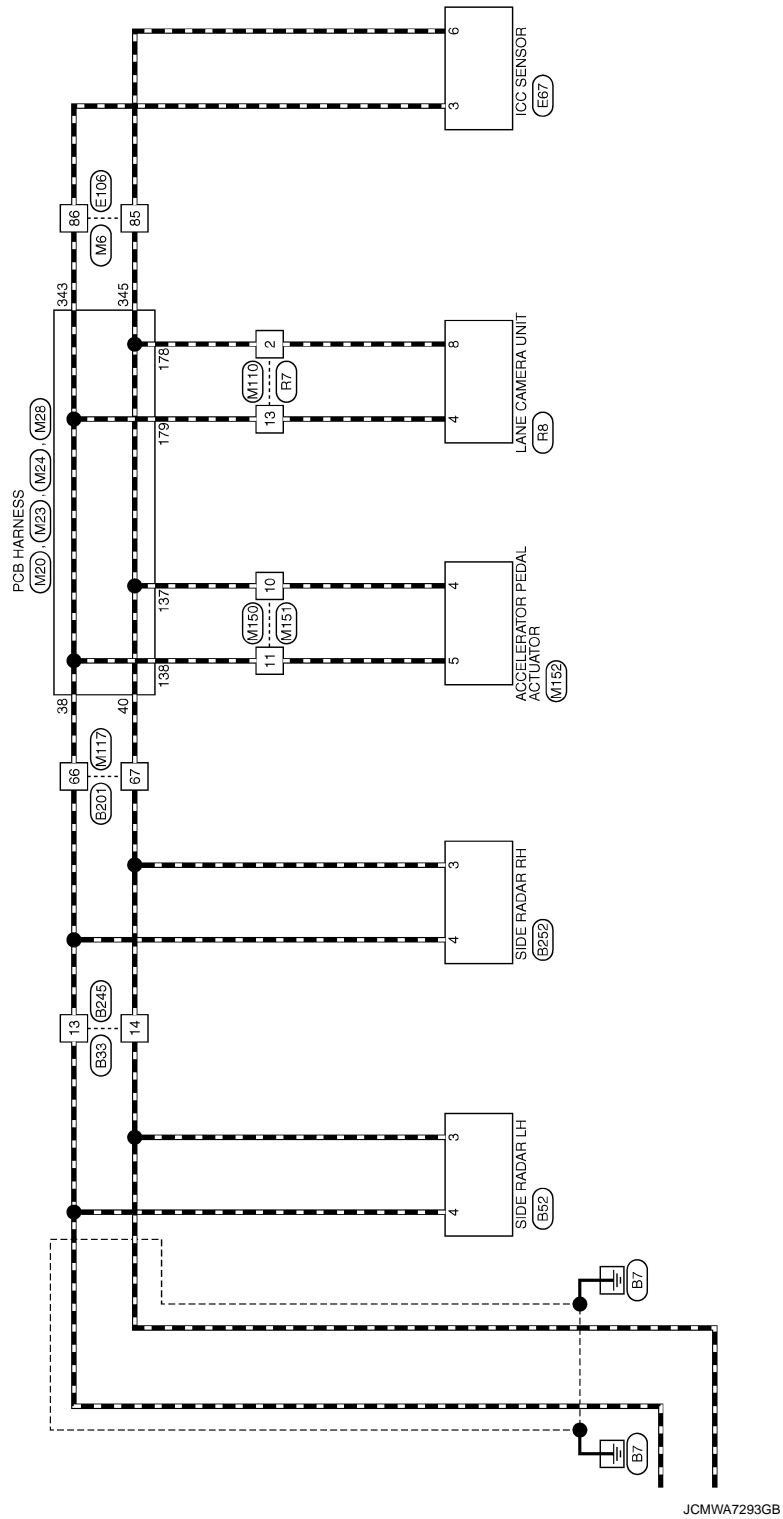
*: This connector is not shown in "Harness Layout".

JCMWA7292GB

CAN SYSTEM (WITH ICC)

< WIRING DIAGRAM >

[CAN]



A
B
C
D
E
F
G
H
I
J
K
L
LAN
N
O
P

CAN SYSTEM (WITHOUT ICC)

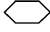
[CAN]

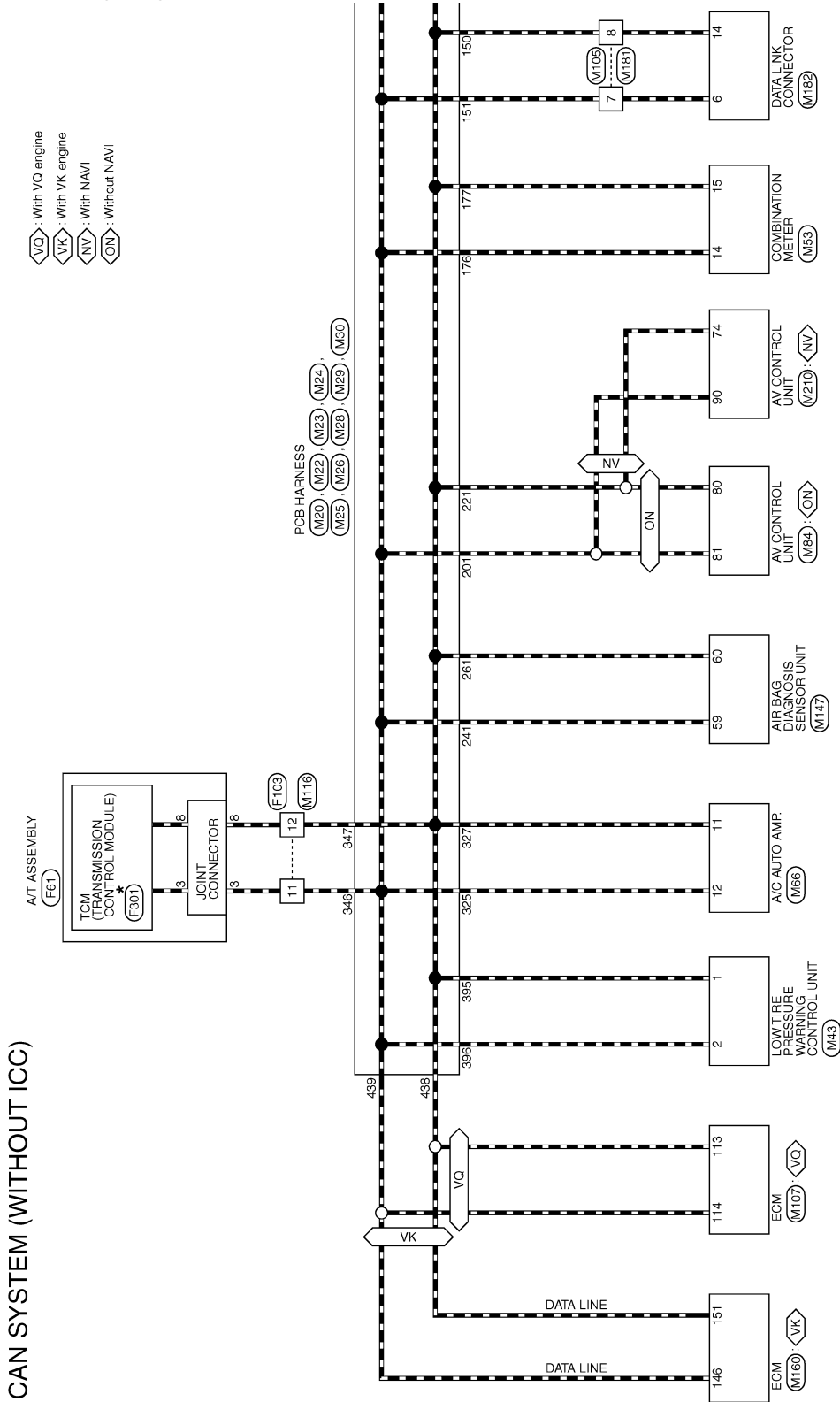
< WIRING DIAGRAM >

CAN SYSTEM (WITHOUT ICC)

Wiring Diagram

INFOID:000000006888679

For connector terminal arrangements, harness layouts, and alphabets in a  (option abbreviation; if not described in wiring diagram), refer to [GI-12, "Connector Information"](#).



CAN SYSTEM (WITHOUT ICC)

-  : With VQ engine
-  : With VK engine
-  : With NAVI
-  : Without NAVI

*: This connector is not shown in "Harness Layout".

BASIC INSPECTION

DIAGNOSIS AND REPAIR WORKFLOW

Interview Sheet

INFOID:000000006888680

CAN Communication System Diagnosis Interview Sheet

Date received:

Type:

VIN No.:

Model:

First registration:

Mileage:

CAN system type:

Symptom (Results from interview with customer)

Condition at inspection

Error symptom : Present / Past

SKIB8898E

MALFUNCTION AREA CHART

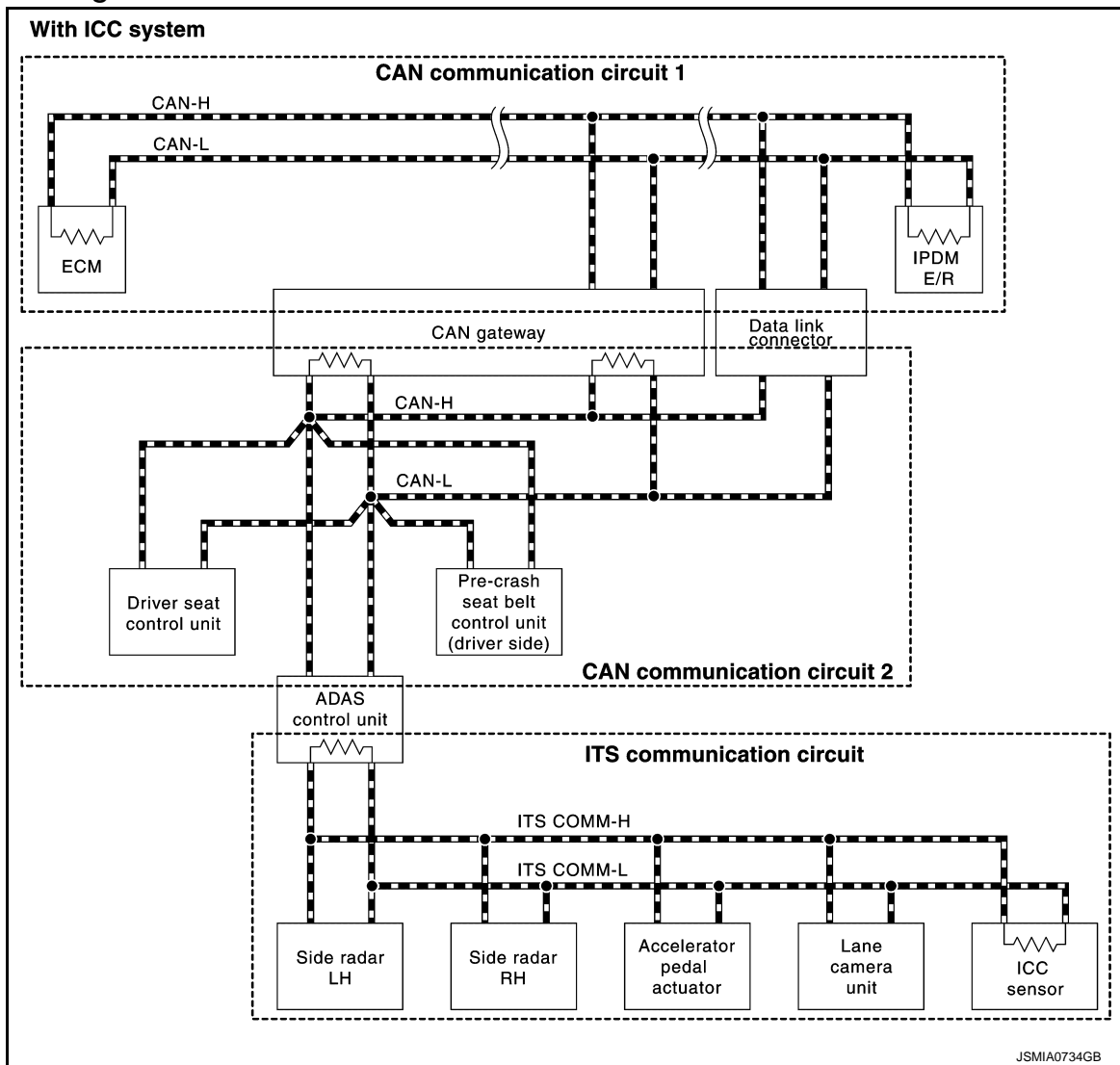
< DTC/CIRCUIT DIAGNOSIS >

[CAN]

DTC/CIRCUIT DIAGNOSIS

MALFUNCTION AREA CHART

System Diagram



CAN Communication Circuit

INFOID:000000006888682

MAIN LINE

Malfunction area	Reference
Main line between low tire pressure warning control unit and A/C auto amp.	LAN-50, "Diagnosis Procedure"
Main line between A/C auto amp. and air bag diagnosis sensor unit	LAN-51, "Diagnosis Procedure"
Main line between air bag diagnosis sensor unit and AV control unit	LAN-52, "Diagnosis Procedure"
Main line between AV control unit and combination meter	LAN-53, "Diagnosis Procedure"
Main line between combination meter and data link connector	LAN-54, "Diagnosis Procedure"
Main line between data link connector and BCM	LAN-55, "Diagnosis Procedure"
Main line between BCM and ABS actuator and electric unit (control unit)	LAN-56, "Diagnosis Procedure"
Main line between BCM and AWD control unit	LAN-58, "Diagnosis Procedure"
Main line between BCM and driver seat control unit	LAN-59, "Diagnosis Procedure"

MALFUNCTION AREA CHART

< DTC/CIRCUIT DIAGNOSIS >

[CAN]

Malfunction area	Reference
Main line between BCM and 4WAS main control unit	LAN-60, "Diagnosis Procedure"
Main line between AWD control unit and ABS actuator and electric unit (control unit)	LAN-61, "Diagnosis Procedure"
Main line between driver seat control unit and ABS actuator and electric unit (control unit)	LAN-63, "Diagnosis Procedure"
Main line between 4WAS main control unit and ABS actuator and electric unit (control unit)	LAN-65, "Diagnosis Procedure"
Main line between data link connector and driver seat control unit	LAN-67, "Diagnosis Procedure"

BRANCH LINE

Malfunction area	Reference
ECM branch line circuit	LAN-72, "Diagnosis Procedure"
Low tire pressure warning control unit branch line circuit	LAN-74, "Diagnosis Procedure"
CAN gateway branch line circuit (CAN communication circuit 1)	LAN-75, "Diagnosis Procedure"
CAN gateway branch line circuit (CAN communication circuit 2)	LAN-76, "Diagnosis Procedure"
A/C auto amp. branch line circuit	LAN-77, "Diagnosis Procedure"
TCM branch line circuit	LAN-78, "Diagnosis Procedure"
Air bag diagnosis sensor unit branch line circuit	LAN-80, "Diagnosis Procedure"
AV control unit branch line circuit	LAN-81, "Diagnosis Procedure"
Combination meter branch line circuit	LAN-83, "Diagnosis Procedure"
Data link connector branch line circuit (CAN communication circuit 1)	LAN-85, "Diagnosis Procedure"
Data link connector branch line circuit (CAN communication circuit 2)	LAN-86, "Diagnosis Procedure"
BCM branch line circuit	LAN-87, "Diagnosis Procedure"
Steering angle sensor branch line circuit	LAN-88, "Diagnosis Procedure"
AWD control unit branch line circuit	LAN-89, "Diagnosis Procedure"
4WAS main control unit branch line circuit	LAN-90, "Diagnosis Procedure"
ABS actuator and electric unit (control unit) branch line circuit	LAN-91, "Diagnosis Procedure"
AFS control unit branch line circuit	LAN-92, "Diagnosis Procedure"
IPDM E/R branch line circuit	LAN-93, "Diagnosis Procedure"
Driver seat control unit branch line circuit	LAN-94, "Diagnosis Procedure"
ADAS control unit branch line circuit	LAN-95, "Diagnosis Procedure"
Pre-crash seat belt control unit (driver side) branch line circuit	LAN-96, "Diagnosis Procedure"

SHORT CIRCUIT

Malfunction area	Reference
CAN communication circuit (Without ICC system)	LAN-102, "Diagnosis Procedure"
CAN communication circuit 1 (With ICC system)	LAN-104, "Diagnosis Procedure"
CAN communication circuit 2 (With ICC system)	LAN-106, "Diagnosis Procedure"

ITS Communication Circuit

INFOID:000000006888683

MAIN LINE

Malfunction area	Reference
Main line between side radar LH and side radar RH	LAN-68, "Diagnosis Procedure"
Main line between side radar RH and accelerator pedal actuator	LAN-69, "Diagnosis Procedure"
Main line between accelerator pedal actuator and lane camera unit	LAN-71, "Diagnosis Procedure"

BRANCH LINE

MALFUNCTION AREA CHART

< DTC/CIRCUIT DIAGNOSIS >

[CAN]

Malfunction area	Reference
Side radar LH branch line circuit	LAN-97, "Diagnosis Procedure"
Side radar RH branch line circuit	LAN-98, "Diagnosis Procedure"
Accelerator pedal actuator branch line circuit	LAN-99, "Diagnosis Procedure"
Lane camera unit branch line circuit	LAN-100, "Diagnosis Procedure"
ICC sensor branch line circuit	LAN-101, "Diagnosis Procedure"

A
B
C

SHORT CIRCUIT OR OPEN CIRCUIT

Malfunction area	Reference
ITS communication circuit	LAN-108, "Diagnosis Procedure"

D

E

F

G

H

I

J

K

L

LAN

N

O

P

MAIN LINE BETWEEN TPMS AND HVAC CIRCUIT

< DTC/CIRCUIT DIAGNOSIS >

[CAN]

MAIN LINE BETWEEN TPMS AND HVAC CIRCUIT

Diagnosis Procedure

INFOID:000000006888684

1. CHECK HARNESS CONTINUITY (OPEN CIRCUIT)

1. Turn the ignition switch OFF.
2. Disconnect the battery cable from the negative terminal.
3. Disconnect the following harness connectors.
 - ECM
 - Low tire pressure warning control unit
 - A/C auto amp.
4. Check the continuity between the low tire pressure warning control unit harness connector and the A/C auto amp. harness connector.

Low tire pressure warning control unit harness connector		A/C auto amp. harness connector		Continuity
Connector No.	Terminal No.	Connector No.	Terminal No.	
M43	2	M66	12	Existed
	1		11	Existed

Is the inspection result normal?

YES (Present error)>>Check CAN system type decision again.

YES (Past error)>>Error was detected in the main line between the low tire pressure warning control unit and the A/C auto amp.

NO >> Replace the PCB harness.

MAIN LINE BETWEEN HVAC AND A-BAG CIRCUIT

< DTC/CIRCUIT DIAGNOSIS >

[CAN]

MAIN LINE BETWEEN HVAC AND A-BAG CIRCUIT

Diagnosis Procedure

INFOID:000000006888685

1. CHECK HARNESS CONTINUITY (OPEN CIRCUIT)

1. Turn the ignition switch OFF.
2. Disconnect the battery cable from the negative terminal.
3. Disconnect the following harness connectors.
 - ECM
 - A/C auto amp.
 - AV control unit
4. Check the continuity between the A/C auto amp. harness connector and the AV control unit harness connector.
 - Models with navigation system

A/C auto amp. harness connector		AV control unit harness connector		Continuity
Connector No.	Terminal No.	Connector No.	Terminal No.	
M66	12	M210	90	Existed
	11		74	Existed

- Models without navigation system

A/C auto amp. harness connector		AV control unit harness connector		Continuity
Connector No.	Terminal No.	Connector No.	Terminal No.	
M66	12	M84	81	Existed
	11		80	Existed

Is the inspection result normal?

YES (Present error)>>Check CAN system type decision again.

YES (Past error)>>Error was detected in the main line between the A/C auto amp. and the air bag diagnosis sensor unit.

NO >> Replace the PCB harness.

LAN

MAIN LINE BETWEEN A-BAG AND AV CIRCUIT

< DTC/CIRCUIT DIAGNOSIS >

[CAN]

MAIN LINE BETWEEN A-BAG AND AV CIRCUIT

Diagnosis Procedure

INFOID:000000006888686

1. CHECK HARNESS CONTINUITY (OPEN CIRCUIT)

1. Turn the ignition switch OFF.
2. Disconnect the battery cable from the negative terminal.
3. Disconnect the following harness connectors.
 - ECM
 - A/C auto amp.
 - AV control unit
4. Check the continuity between the A/C auto amp. harness connector and the AV control unit harness connector.
 - Models with navigation system

A/C auto amp. harness connector		AV control unit harness connector		Continuity
Connector No.	Terminal No.	Connector No.	Terminal No.	
M66	12	M210	90	Existed
	11		74	Existed

- Models without navigation system

A/C auto amp. harness connector		AV control unit harness connector		Continuity
Connector No.	Terminal No.	Connector No.	Terminal No.	
M66	12	M84	81	Existed
	11		80	Existed

Is the inspection result normal?

YES (Present error)>>Check CAN system type decision again.

YES (Past error)>>Error was detected in the main line between the air bag diagnosis sensor unit and the AV control unit.

NO >> Replace the PCB harness.

MAIN LINE BETWEEN AV AND M&A CIRCUIT

< DTC/CIRCUIT DIAGNOSIS >

[CAN]

MAIN LINE BETWEEN AV AND M&A CIRCUIT

Diagnosis Procedure

INFOID:000000006888687

1. CHECK HARNESS CONTINUITY (OPEN CIRCUIT)

1. Turn the ignition switch OFF.
2. Disconnect the battery cable from the negative terminal.
3. Disconnect the following harness connectors.
 - ECM
 - AV control unit
 - Combination meter
4. Check the continuity between the AV control unit harness connector and the combination meter harness connector.
 - Models with navigation system

AV control unit harness connector		Combination meter harness connector		Continuity
Connector No.	Terminal No.	Connector No.	Terminal No.	
M210	90	M53	14	Existed
	74		15	Existed

- Models without navigation system

AV control unit harness connector		Combination meter harness connector		Continuity
Connector No.	Terminal No.	Connector No.	Terminal No.	
M84	81	M53	14	Existed
	80		15	Existed

Is the inspection result normal?

YES (Present error)>>Check CAN system type decision again.

YES (Past error)>>Error was detected in the main line between the AV control unit and the combination meter.

NO >> Replace the PCB harness.

A
B
C
D
E
F
G
H
I
J
K
L

LAN

N
O
P

MAIN LINE BETWEEN M&A AND DLC CIRCUIT

< DTC/CIRCUIT DIAGNOSIS >

[CAN]

MAIN LINE BETWEEN M&A AND DLC CIRCUIT

Diagnosis Procedure

INFOID:000000006888688

1. CHECK HARNESS CONTINUITY (OPEN CIRCUIT)

1. Turn the ignition switch OFF.
2. Disconnect the battery cable from the negative terminal.
3. Disconnect the following harness connectors.
 - ECM
 - Combination meter
 - Harness connectors M105 and M181
4. Check the continuity between the combination meter harness connector and the harness connector.

Combination meter harness connector		Harness connector		Continuity
Connector No.	Terminal No.	Connector No.	Terminal No.	
M53	14	M105	7	Existed
	15		8	Existed

Is the inspection result normal?

YES (Present error)>>Check CAN system type decision again.

YES (Past error)>>Error was detected in the main line between the combination meter and the data link connector.

NO >> Replace the PCB harness.

MAIN LINE BETWEEN DLC AND BCM CIRCUIT

< DTC/CIRCUIT DIAGNOSIS >

[CAN]

MAIN LINE BETWEEN DLC AND BCM CIRCUIT

Diagnosis Procedure

INFOID:00000000688689

1. CHECK HARNESS CONTINUITY (OPEN CIRCUIT)

1. Turn the ignition switch OFF.
2. Disconnect the battery cable from the negative terminal.
3. Disconnect the following harness connectors.
 - ECM
 - Harness connectors M181 and M105
 - BCM
4. Check the continuity between the harness connector and the BCM harness connector.

Harness connector		BCM harness connector		Continuity
Connector No.	Terminal No.	Connector No.	Terminal No.	
M105	7	M120	39	Existed
	8		40	Existed

Is the inspection result normal?

YES (Present error)>>Check CAN system type decision again.

YES (Past error)>>Error was detected in the main line between the data link connector and the BCM.

NO >> Replace the PCB harness.

A
B
C
D
E
F
G
H
I
J
K
L

LAN

N
O
P

MAIN LINE BETWEEN BCM AND ABS CIRCUIT

< DTC/CIRCUIT DIAGNOSIS >

[CAN]

MAIN LINE BETWEEN BCM AND ABS CIRCUIT

Diagnosis Procedure

INFOID:000000006888690

1. CHECK CONNECTOR

1. Turn the ignition switch OFF.
2. Disconnect the battery cable from the negative terminal.
3. Check the following terminals and connectors for damage, bend and loose connection (connector side and harness side).
 - Harness connector M20 and PCB harness side connector
 - Harness connector M7
 - Harness connector B1
 - Harness connector M6
 - Harness connector E106

Is the inspection result normal?

YES >> GO TO 2.

NO >> Repair the terminal and connector.

2. CHECK HARNESS CONTINUITY (OPEN CIRCUIT)

1. Disconnect the following harness connectors.
 - BCM
 - Harness connector M20
2. Check the continuity between the BCM harness connector and the PCB harness connector.

BCM harness connector		PCB harness connector		Continuity
Connector No.	Terminal No.	Terminal No.		
M120	39	35		Existed
	40	36		Existed

Is the inspection result normal?

YES >> GO TO 3.

NO >> Replace the PCB harness.

3. CHECK HARNESS CONTINUITY (OPEN CIRCUIT)

1. Disconnect the harness connectors M7 and B1.
2. Check the continuity between the harness connectors.

Harness connector		Harness connector		Continuity
Connector No.	Terminal No.	Connector No.	Terminal No.	
M20	35	M7	72	Existed
	36		73	Existed

Is the inspection result normal?

YES >> GO TO 4.

NO >> Repair the main line between the harness connectors M20 and M7.

4. CHECK HARNESS CONTINUITY (OPEN CIRCUIT)

Check the continuity between the harness connector terminals.

Connector No.	Terminal No.		Continuity
B1	72	74	Existed
	73	75	Existed

Is the inspection result normal?

YES >> GO TO 5.

NO >> Repair the main line between the harness connector terminals.

5. CHECK HARNESS CONTINUITY (OPEN CIRCUIT)

MAIN LINE BETWEEN BCM AND ABS CIRCUIT

[CAN]

< DTC/CIRCUIT DIAGNOSIS >

1. Disconnect the harness connectors M6 and E106.
2. Check the continuity between the harness connectors.

Harness connector		Harness connector		Continuity
Connector No.	Terminal No.	Connector No.	Terminal No.	
M7	74	M6	22	Existed
	75		23	Existed

Is the inspection result normal?

YES >> GO TO 6.

NO >> Repair the main line between the harness connectors M7 and M6.

6. CHECK HARNESS CONTINUITY (OPEN CIRCUIT)

1. Disconnect the connector of ABS actuator and electric unit (control unit).
2. Check the continuity between the harness connector and the ABS actuator and electric unit (control unit) harness connector.

Harness connector		ABS actuator and electric unit (control unit) harness connector		Continuity
Connector No.	Terminal No.	Connector No.	Terminal No.	
E106	22	E41	25	Existed
	23		15	Existed

Is the inspection result normal?

YES (Present error)>>Check CAN system type decision again.

YES (Past error)>>Error was detected in the main line between the BCM and the ABS actuator and electric unit (control unit).

NO >> Repair the main line between the harness connector E106 and the ABS actuator and electric unit (control unit).

A
B
C
D
E
F
G
H
I
J
K
L

LAN

N
O
P

MAIN LINE BETWEEN BCM AND 4WD CIRCUIT

[CAN]

< DTC/CIRCUIT DIAGNOSIS >

MAIN LINE BETWEEN BCM AND 4WD CIRCUIT

Diagnosis Procedure

INFOID:00000000688691

1. CHECK CONNECTOR

1. Turn the ignition switch OFF.
2. Disconnect the battery cable from the negative terminal.
3. Check the following terminals and connectors for damage, bend and loose connection (connector side and harness side).
 - Harness connector M20 and PCB harness side connector
 - Harness connector M7
 - Harness connector B1

Is the inspection result normal?

YES >> GO TO 2.

NO >> Repair the terminal and connector.

2. CHECK HARNESS CONTINUITY (OPEN CIRCUIT)

1. Disconnect the following harness connectors.
 - BCM
 - Harness connector M20
2. Check the continuity between the BCM harness connector and the PCB harness connector.

BCM harness connector		PCB harness connector		Continuity
Connector No.	Terminal No.	Terminal No.		
M120	39	35		Existed
	40	36		Existed

Is the inspection result normal?

YES >> GO TO 3.

NO >> Replace the PCB harness.

3. CHECK HARNESS CONTINUITY (OPEN CIRCUIT)

1. Disconnect the harness connectors M7 and B1.
2. Check the continuity between the harness connectors.

Harness connector		Harness connector		Continuity
Connector No.	Terminal No.	Connector No.	Terminal No.	
M20	35	M7	72	Existed
	36		73	Existed

Is the inspection result normal?

YES >> GO TO 4.

NO >> Repair the main line between the harness connectors M20 and M7.

4. CHECK HARNESS CONTINUITY (OPEN CIRCUIT)

Check the continuity between the harness connector terminals.

Connector No.	Terminal No.		Continuity
B1	72	74	Existed
	73	75	Existed

Is the inspection result normal?

YES (Present error)>>Check CAN system type decision again.

YES (Past error)>>Error was detected in the main line between the BCM and the AWD control unit.

NO >> Replace the body harness.

MAIN LINE BETWEEN BCM AND ADP CIRCUIT

[CAN]

< DTC/CIRCUIT DIAGNOSIS >

MAIN LINE BETWEEN BCM AND ADP CIRCUIT

Diagnosis Procedure

INFOID:00000000688692

1.CHECK CONNECTOR

1. Turn the ignition switch OFF.
2. Disconnect the battery cable from the negative terminal.
3. Check the following terminals and connectors for damage, bend and loose connection (connector side and harness side).
 - Harness connector M20 and PCB harness side connector
 - Harness connector M7
 - Harness connector B1

Is the inspection result normal?

- YES >> GO TO 2.
NO >> Repair the terminal and connector.

2.CHECK HARNESS CONTINUITY (OPEN CIRCUIT)

1. Disconnect the following harness connectors.
 - BCM
 - Harness connector M20
2. Check the continuity between the BCM harness connector and the PCB harness connector.

BCM harness connector		PCB harness connector		Continuity
Connector No.	Terminal No.	Terminal No.		
M120	39	35		Existed
	40	36		Existed

Is the inspection result normal?

- YES >> GO TO 3.
NO >> Replace the PCB harness.

3.CHECK HARNESS CONTINUITY (OPEN CIRCUIT)

1. Disconnect the harness connectors M7 and B1.
2. Check the continuity between the harness connectors.

Harness connector		Harness connector		Continuity
Connector No.	Terminal No.	Connector No.	Terminal No.	
M20	35	M7	72	Existed
	36		73	Existed

Is the inspection result normal?

- YES >> GO TO 4.
NO >> Repair the main line between the harness connectors M20 and M7.

4.CHECK HARNESS CONTINUITY (OPEN CIRCUIT)

Check the continuity between the harness connector terminals.

Connector No.	Terminal No.		Continuity
B1	72	74	Existed
	73	75	Existed

Is the inspection result normal?

- YES (Present error)>>Check CAN system type decision again.
YES (Past error)>>Error was detected in the main line between the BCM and the driver seat control unit.
NO-1 >> With 4WAS or AWD models: Replace the body harness.
NO-2 >> 2WD models without 4WAS: Repair the main line between the harness connector B1 and the driver seat control unit.

MAIN LINE BETWEEN BCM AND RAS CIRCUIT

< DTC/CIRCUIT DIAGNOSIS >

[CAN]

MAIN LINE BETWEEN BCM AND RAS CIRCUIT

Diagnosis Procedure

INFOID:00000000688693

1. CHECK CONNECTOR

1. Turn the ignition switch OFF.
2. Disconnect the battery cable from the negative terminal.
3. Check the following terminals and connectors for damage, bend and loose connection (connector side and harness side).
 - Harness connector M20 and PCB harness side connector
 - Harness connector M7
 - Harness connector B1

Is the inspection result normal?

YES >> GO TO 2.

NO >> Repair the terminal and connector.

2. CHECK HARNESS CONTINUITY (OPEN CIRCUIT)

1. Disconnect the following harness connectors.
 - BCM
 - Harness connector M20
2. Check the continuity between the BCM harness connector and the PCB harness connector.

BCM harness connector		PCB harness connector		Continuity
Connector No.	Terminal No.	Terminal No.		
M120	39	35		Existed
	40	36		Existed

Is the inspection result normal?

YES >> GO TO 3.

NO >> Replace the PCB harness.

3. CHECK HARNESS CONTINUITY (OPEN CIRCUIT)

1. Disconnect the harness connectors M7 and B1.
2. Check the continuity between the harness connectors.

Harness connector		Harness connector		Continuity
Connector No.	Terminal No.	Connector No.	Terminal No.	
M20	35	M7	72	Existed
	36		73	Existed

Is the inspection result normal?

YES >> GO TO 4.

NO >> Repair the main line between the harness connectors M20 and M7.

4. CHECK HARNESS CONTINUITY (OPEN CIRCUIT)

Check the continuity between the harness connector terminals.

Connector No.	Terminal No.		Continuity
B1	72	74	Existed
	73	75	Existed

Is the inspection result normal?

YES (Present error)>>Check CAN system type decision again.

YES (Past error)>>Error was detected in the main line between the BCM and the 4WAS main control unit.

NO >> Replace the body harness.

MAIN LINE BETWEEN 4WD AND ABS CIRCUIT

[CAN]

< DTC/CIRCUIT DIAGNOSIS >

MAIN LINE BETWEEN 4WD AND ABS CIRCUIT

Diagnosis Procedure

INFOID:000000006888694

1. CHECK CONNECTOR

1. Turn the ignition switch OFF.
2. Disconnect the battery cable from the negative terminal.
3. Check the following terminals and connectors for damage, bend and loose connection (connector side and harness side).
 - Harness connector B1
 - Harness connector M7
 - Harness connector M6
 - Harness connector E106

Is the inspection result normal?

YES >> GO TO 2.

NO >> Repair the terminal and connector.

2. CHECK HARNESS CONTINUITY (OPEN CIRCUIT)

1. Disconnect the harness connectors B1 and M7.
2. Check the continuity between the harness connector terminals.

Connector No.	Terminal No.		Continuity
B1	72	74	Existed
	73	75	Existed

Is the inspection result normal?

YES >> GO TO 3.

NO >> Replace the body harness.

3. CHECK HARNESS CONTINUITY (OPEN CIRCUIT)

1. Disconnect the harness connectors M6 and E106.
2. Check the continuity between the harness connectors.

Harness connector		Harness connector		Continuity
Connector No.	Terminal No.	Connector No.	Terminal No.	
M7	74	M6	22	Existed
	75		23	Existed

Is the inspection result normal?

YES >> GO TO 4.

NO >> Repair the main line between the harness connectors M7 and M6.

4. CHECK HARNESS CONTINUITY (OPEN CIRCUIT)

1. Disconnect the connector of ABS actuator and electric unit (control unit).
2. Check the continuity between the harness connector and the ABS actuator and electric unit (control unit) harness connector.

Harness connector		ABS actuator and electric unit (control unit) harness connector		Continuity
Connector No.	Terminal No.	Connector No.	Terminal No.	
E106	22	E41	25	Existed
	23		15	Existed

Is the inspection result normal?

YES (Present error)>>Check CAN system type decision again.

YES (Past error)>>Error was detected in the main line between the AWD control unit and the ABS actuator and electric unit (control unit).

MAIN LINE BETWEEN 4WD AND ABS CIRCUIT

< DTC/CIRCUIT DIAGNOSIS >

[CAN]

NO >> Repair the main line between the harness connector E106 and the ABS actuator and electric unit (control unit).

MAIN LINE BETWEEN ADP AND ABS CIRCUIT

[CAN]

< DTC/CIRCUIT DIAGNOSIS >

MAIN LINE BETWEEN ADP AND ABS CIRCUIT

Diagnosis Procedure

INFOID:000000006888695

1. CHECK CONNECTOR

1. Turn the ignition switch OFF.
2. Disconnect the battery cable from the negative terminal.
3. Check the following terminals and connectors for damage, bend and loose connection (connector side and harness side).
 - Harness connector B1
 - Harness connector M7
 - Harness connector M6
 - Harness connector E106

Is the inspection result normal?

YES >> GO TO 2.

NO >> Repair the terminal and connector.

2. CHECK HARNESS CONTINUITY (OPEN CIRCUIT)

1. Disconnect the harness connectors B1 and M7.
2. Check the continuity between the harness connector terminals.

Connector No.	Terminal No.		Continuity
B1	72	74	Existed
	73	75	Existed

Is the inspection result normal?

YES >> GO TO 3.

NO-1 >> With 4WAS or AWD models: Replace the body harness.

NO-2 >> 2WD models without 4WAS: Repair the main line between the driver seat control unit and the harness connector B1.

3. CHECK HARNESS CONTINUITY (OPEN CIRCUIT)

1. Disconnect the harness connectors M6 and E106.
2. Check the continuity between the harness connectors.

Harness connector		Harness connector		Continuity
Connector No.	Terminal No.	Connector No.	Terminal No.	
M7	74	M6	22	Existed
	75		23	Existed

Is the inspection result normal?

YES >> GO TO 4.

NO >> Repair the main line between the harness connectors M7 and M6.

4. CHECK HARNESS CONTINUITY (OPEN CIRCUIT)

1. Disconnect the connector of ABS actuator and electric unit (control unit).
2. Check the continuity between the harness connector and the ABS actuator and electric unit (control unit) harness connector.

Harness connector		ABS actuator and electric unit (control unit) harness connector		Continuity
Connector No.	Terminal No.	Connector No.	Terminal No.	
E106	22	E41	25	Existed
	23		15	Existed

Is the inspection result normal?

YES (Present error)>>Check CAN system type decision again.

MAIN LINE BETWEEN ADP AND ABS CIRCUIT

< DTC/CIRCUIT DIAGNOSIS >

[CAN]

-
- YES (Past error)>>Error was detected in the main line between the driver seat control unit and the ABS actuator and electric unit (control unit).
- NO >> Repair the main line between the harness connector E106 and the ABS actuator and electric unit (control unit).

MAIN LINE BETWEEN RAS AND ABS CIRCUIT

< DTC/CIRCUIT DIAGNOSIS >

[CAN]

MAIN LINE BETWEEN RAS AND ABS CIRCUIT

Diagnosis Procedure

INFOID:000000006888696

1. CHECK CONNECTOR

1. Turn the ignition switch OFF.
2. Disconnect the battery cable from the negative terminal.
3. Check the following terminals and connectors for damage, bend and loose connection (connector side and harness side).
 - Harness connector B1
 - Harness connector M7
 - Harness connector M6
 - Harness connector E106

Is the inspection result normal?

YES >> GO TO 2.

NO >> Repair the terminal and connector.

2. CHECK HARNESS CONTINUITY (OPEN CIRCUIT)

1. Disconnect the harness connectors B1 and M7.
2. Check the continuity between the harness connector terminals.

Connector No.	Terminal No.		Continuity
B1	72	74	Existed
	73	75	Existed

Is the inspection result normal?

YES >> GO TO 3.

NO >> Replace the body harness.

3. CHECK HARNESS CONTINUITY (OPEN CIRCUIT)

1. Disconnect the harness connectors M6 and E106.
2. Check the continuity between the harness connectors.

Harness connector		Harness connector		Continuity
Connector No.	Terminal No.	Connector No.	Terminal No.	
M7	74	M6	22	Existed
	75		23	Existed

Is the inspection result normal?

YES >> GO TO 4.

NO >> Repair the main line between the harness connectors M7 and M6.

4. CHECK HARNESS CONTINUITY (OPEN CIRCUIT)

1. Disconnect the connector of ABS actuator and electric unit (control unit).
2. Check the continuity between the harness connector and the ABS actuator and electric unit (control unit) harness connector.

Harness connector		ABS actuator and electric unit (control unit) harness connector		Continuity
Connector No.	Terminal No.	Connector No.	Terminal No.	
E106	22	E41	25	Existed
	23		15	Existed

Is the inspection result normal?

YES (Present error)>>Check CAN system type decision again.

YES (Past error)>>Error was detected in the main line between the 4WAS main control unit and the ABS actuator and electric unit (control unit).

MAIN LINE BETWEEN RAS AND ABS CIRCUIT

< DTC/CIRCUIT DIAGNOSIS >

[CAN]

NO >> Repair the main line between the harness connector E106 and the ABS actuator and electric unit (control unit).

MAIN LINE BETWEEN DLC AND ADP CIRCUIT

< DTC/CIRCUIT DIAGNOSIS >

[CAN]

MAIN LINE BETWEEN DLC AND ADP CIRCUIT

Diagnosis Procedure

INFOID:000000007204736

1. CHECK CONNECTOR

1. Turn the ignition switch OFF.
2. Disconnect the battery cable from the negative terminal.
3. Check the following terminals and connectors for damage, bend and loose connection (connector side and harness side).
 - Harness connector M20 and PCB harness side connector
 - Harness connector M7
 - Harness connector B1

Is the inspection result normal?

YES >> GO TO 2.

NO >> Repair the terminal and connector.

2. CHECK HARNESS CONTINUITY (OPEN CIRCUIT)

1. Disconnect the harness connector M20.
2. Check the continuity between the data link connector and the PCB harness connector.

Data link connector		PCB harness connector		Continuity
Connector No.	Terminal No.	Terminal No.		
M182	13	24		Existed
	12	27		Existed

Is the inspection result normal?

YES >> GO TO 3.

NO >> Replace the PCB harness.

3. CHECK HARNESS CONTINUITY (OPEN CIRCUIT)

1. Disconnect the harness connectors M7 and B1.
2. Check the continuity between the harness connectors.

Harness connector		Harness connector		Continuity
Connector No.	Terminal No.	Connector No.	Terminal No.	
M20	24	M7	34	Existed
	27		35	Existed

Is the inspection result normal?

YES >> GO TO 4.

NO >> Repair the main line between the harness connectors M20 and M7.

4. CHECK HARNESS CONTINUITY (OPEN CIRCUIT)

Check the continuity between the harness connector terminals.

Connector No.	Terminal No.		Continuity
B1	34	32	Existed
	35	33	Existed

Is the inspection result normal?

YES (Present error)>>Check CAN system type decision again.

YES (Past error)>>Error was detected in the main line between the data link connector and the driver seat control unit.

NO >> Replace the body harness.

A
B
C
D
E
F
G
H
I
J
K
L
N
O
P

LAN

MAIN LINE BETWEEN RDR-L AND RDR-R CIRCUIT

< DTC/CIRCUIT DIAGNOSIS >

[CAN]

MAIN LINE BETWEEN RDR-L AND RDR-R CIRCUIT

Diagnosis Procedure

INFOID:000000006888697

1. CHECK CONNECTOR

1. Turn the ignition switch OFF.
2. Disconnect the battery cable from the negative terminal.
3. Check the following terminals and connectors for damage, bend and loose connection (connector side and harness side).
 - Harness connector B33
 - Harness connector B245

Is the inspection result normal?

YES >> GO TO 2.

NO >> Repair the terminal and connector.

2. CHECK HARNESS CONTINUITY (OPEN CIRCUIT)

1. Disconnect the following harness connectors.
 - Side radar LH
 - Harness connectors B33 and B245
2. Check the continuity between the side radar LH harness connector and the harness connector.

Side radar LH harness connector		Harness connector		Continuity
Connector No.	Terminal No.	Connector No.	Terminal No.	
B52	4	B33	13	Existed
	3		14	Existed

Is the inspection result normal?

YES >> GO TO 3.

NO >> Repair the main line between the side radar LH and the harness connector B33.

3. CHECK HARNESS CONTINUITY (OPEN CIRCUIT)

1. Disconnect the connector of side radar RH.
2. Check the continuity between the harness connector and the side radar RH harness connector.

Harness connector		Side radar RH harness connector		Continuity
Connector No.	Terminal No.	Connector No.	Terminal No.	
B245	13	B252	4	Existed
	14		3	Existed

Is the inspection result normal?

YES (Present error)>>Check CAN system type decision again.

YES (Past error)>>Error was detected in the main line between the side radar LH and the side radar RH.

NO >> Repair the main line between the harness connector B245 and the side radar RH.

MAIN LINE BETWEEN RDR-R AND APA CIRCUIT

[CAN]

< DTC/CIRCUIT DIAGNOSIS >

MAIN LINE BETWEEN RDR-R AND APA CIRCUIT

Diagnosis Procedure

INFOID:000000006888698

1.CHECK CONNECTOR

1. Turn the ignition switch OFF.
2. Disconnect the battery cable from the negative terminal.
3. Check the following terminals and connectors for damage, bend and loose connection (connector side and harness side).
 - Harness connector B201
 - Harness connector M117
 - Harness connector M20 and PCB harness side connector

Is the inspection result normal?

- YES >> GO TO 2.
 NO >> Repair the terminal and connector.

2.CHECK HARNESS CONTINUITY (OPEN CIRCUIT)

1. Disconnect the following harness connectors.
 - Side radar RH
 - Harness connectors B201 and M117
2. Check the continuity between the side radar RH harness connector and the harness connector.

Side radar RH harness connector		Harness connector		Continuity
Connector No.	Terminal No.	Connector No.	Terminal No.	
B252	4	B201	66	Existed
	3		67	Existed

Is the inspection result normal?

- YES >> GO TO 3.
 NO >> Repair the main line between the side radar RH and the harness connector B201.

3.CHECK HARNESS CONTINUITY (OPEN CIRCUIT)

1. Disconnect the harness connector M20.
2. Check the continuity between the harness connectors.

Harness connector		Harness connector		Continuity
Connector No.	Terminal No.	Connector No.	Terminal No.	
M117	66	M20	38	Existed
	67		40	Existed

Is the inspection result normal?

- YES >> GO TO 4.
 NO >> Repair the main line between the harness connectors M117 and M20.

4.CHECK HARNESS CONTINUITY (OPEN CIRCUIT)

1. Disconnect the harness connectors M150 and M151.
2. Check the continuity between the PCB harness connector and the harness connector.

PCB harness connector		Harness connector		Continuity
Terminal No.		Connector No.	Terminal No.	
38		M150	11	Existed
40			10	Existed

Is the inspection result normal?

- YES (Present error)>>Check CAN system type decision again.
 YES (Past error)>>Error was detected in the main line between the side radar RH and the accelerator pedal actuator.

A
B
C
D
E
F
G
H
I
J
K
L
N
O
P

LAN

MAIN LINE BETWEEN RDR-R AND APA CIRCUIT

< DTC/CIRCUIT DIAGNOSIS >

[CAN]

NO >> Replace the PCB harness.

MAIN LINE BETWEEN APA AND LANE CIRCUIT

< DTC/CIRCUIT DIAGNOSIS >

[CAN]

MAIN LINE BETWEEN APA AND LANE CIRCUIT

Diagnosis Procedure

INFOID:000000006888699

1. CHECK HARNESS CONTINUITY (OPEN CIRCUIT)

1. Turn the ignition switch OFF.
2. Disconnect the battery cable from the negative terminal.
3. Disconnect the following harness connectors.
 - ADAS control unit
 - Harness connectors M151 and M150
 - Harness connectors M110 and R7
4. Check the continuity between the harness connectors.

Harness connector		Harness connector		Continuity
Connector No.	Terminal No.	Connector No.	Terminal No.	
M150	11	M110	13	Existed
	10		2	Existed

Is the inspection result normal?

YES (Present error)>>Check CAN system type decision again.

YES (Past error)>>Error was detected in the main line between the accelerator pedal actuator and the lane camera unit.

NO >> Replace the PCB harness.

A
B
C
D
E
F
G
H
I
J
K
L

LAN

N
O
P

ECM BRANCH LINE CIRCUIT

< DTC/CIRCUIT DIAGNOSIS >

[CAN]

ECM BRANCH LINE CIRCUIT

Diagnosis Procedure

INFOID:00000000688700

1. CHECK CONNECTOR

1. Turn the ignition switch OFF.
2. Disconnect the battery cable from the negative terminal.
3. Check the following terminals and connectors for damage, bend and loose connection (unit side and connector side).
 - ECM
 - Harness connector M30 and PCB harness side connector

Is the inspection result normal?

YES >> GO TO 2.

NO >> Repair the terminal and connector.

2. CHECK HARNESS FOR OPEN CIRCUIT

1. Disconnect the connector of ECM.
2. Check the resistance between the ECM harness connector terminals.
 - VQ37VHR

ECM harness connector			Resistance (Ω)
Connector No.	Terminal No.		
M107	114	113	Approx. 108 – 132

- VK56VD

ECM harness connector			Resistance (Ω)
Connector No.	Terminal No.		
M160	146	151	Approx. 108 – 132

Is the measurement value within the specification?

YES >> GO TO 3.

NO >> GO TO 4.

3. CHECK POWER SUPPLY AND GROUND CIRCUIT

Check the power supply and the ground circuit of the ECM. Refer to the following.

- VQ37VHR for USA and Canada: [EC-180, "Diagnosis Procedure"](#)
- VQ37VHR for Mexico: [EC-682, "Diagnosis Procedure"](#)
- VK56VD for USA and Canada: [EC-1149, "Diagnosis Procedure"](#)
- VK56VD for Mexico: [EC-1707, "Diagnosis Procedure"](#)

Is the inspection result normal?

YES (Present error)>>Replace the ECM. Refer to the following.

- VQ37VHR for USA and Canada: [EC-543, "Removal and Installation"](#)
- VQ37VHR for Mexico: [EC-980, "Removal and Installation"](#)
- VK56VD for USA and Canada: [EC-1553, "Removal and Installation"](#)
- VK56VD for Mexico: [EC-2013, "Removal and Installation"](#)

YES (Past error)>>Error was detected in the ECM branch line.

NO >> Repair the power supply and the ground circuit.

4. CHECK HARNESS CONTINUITY (OPEN CIRCUIT)

1. Disconnect the harness connector M30.
2. Check the continuity between the ECM harness connector and the harness connector.
 - VQ37VHR

ECM harness connector		Harness connector		Continuity
Connector No.	Terminal No.	Connector No.	Terminal No.	

ECM BRANCH LINE CIRCUIT

< DTC/CIRCUIT DIAGNOSIS >

[CAN]

M107	114	M30	439	Existed
	113		438	Existed

A

- VK56VD

B

ECM harness connector		Harness connector		Continuity
Connector No.	Terminal No.	Connector No.	Terminal No.	
M160	146	M30	439	Existed
	151		438	Existed

C

Is the inspection result normal?

D

YES >> Replace the PCB harness.

NO (VQ37VHR)>>Repair the harness between the ECM harness connector M107 and the harness connector M30.

NO (VK56VD)>>Repair the harness between the ECM harness connector M160 and the harness connector M30.

E

F

G

H

I

J

K

L

LAN

N

O

P

TPMS BRANCH LINE CIRCUIT

[CAN]

< DTC/CIRCUIT DIAGNOSIS >

TPMS BRANCH LINE CIRCUIT

Diagnosis Procedure

INFOID:000000006888701

1.CHECK CONNECTOR

1. Turn the ignition switch OFF.
2. Disconnect the battery cable from the negative terminal.
3. Check the following terminals and connectors for damage, bend and loose connection (unit side and connector side).
 - Low tire pressure warning control unit
 - Harness connector M29 and PCB harness side connector

Is the inspection result normal?

YES >> GO TO 2.

NO >> Repair the terminal and connector.

2.CHECK HARNESS FOR OPEN CIRCUIT

1. Disconnect the connector of low tire pressure warning control unit.
2. Check the resistance between the low tire pressure warning control unit harness connector terminals.

Low tire pressure warning control unit harness connector			Resistance (Ω)
Connector No.	Terminal No.		
M43	2	1	Approx. 54 – 66

Is the measurement value within the specification?

YES >> GO TO 3.

NO >> GO TO 4.

3.CHECK POWER SUPPLY AND GROUND CIRCUIT

Check the power supply and the ground circuit of the low tire pressure warning control unit. Refer to [WT-43. "Diagnosis Procedure"](#).

Is the inspection result normal?

YES (Present error)>>Replace the low tire pressure warning control unit. Refer to [WT-58. "Removal and Installation"](#).

YES (Past error)>>Error was detected in the low tire pressure warning control unit branch line.

NO >> Repair the power supply and the ground circuit.

4.CHECK HARNESS CONTINUITY (OPEN CIRCUIT)

1. Disconnect the harness connector M29.
2. Check the continuity between the low tire pressure warning control unit harness connector and the harness connector.

Low tire pressure warning control unit harness connector		Harness connector		Continuity
Connector No.	Terminal No.	Connector No.	Terminal No.	
M43	2	M29	396	Existed
	1		395	Existed

Is the inspection result normal?

YES >> Replace the PCB harness.

NO >> Repair the harness between the low tire pressure warning control unit harness connector M43 and the harness connector M29.

CGW BRANCH LINE CIRCUIT (CAN COMMUNICATION CIRCUIT 1)

[CAN]

< DTC/CIRCUIT DIAGNOSIS >

CGW BRANCH LINE CIRCUIT (CAN COMMUNICATION CIRCUIT 1)

Diagnosis Procedure

INFOID:00000000688702

1. CHECK DTC

Check DTC of the CAN gateway with CONSULT.

Is U1010 or B2600 indicated?

- YES >> Perform a diagnosis of the indicated DTC.
- NO >> GO TO 2.

2. CHECK CONNECTOR

1. Turn the ignition switch OFF.
2. Disconnect the battery cable from the negative terminal.
3. Check the following terminals and connectors for damage, bend and loose connection (unit side and connector side).
 - CAN gateway
 - Harness connector M28 and PCB harness side connector

Is the inspection result normal?

- YES >> GO TO 3.
- NO >> Repair the terminal and connector.

3. CHECK HARNESS FOR OPEN CIRCUIT

1. Disconnect the connector of CAN gateway.
2. Check the resistance between the CAN gateway harness connector terminals.

CAN gateway harness connector			Resistance (Ω)
Connector No.	Terminal No.		
M125	1	7	Approx. 54 – 66

Is the measurement value within the specification?

- YES >> GO TO 4.
- NO >> GO TO 5.

4. CHECK POWER SUPPLY AND GROUND CIRCUIT

Check the power supply and the ground circuit of the CAN gateway. Refer to [LAN-122, "Diagnosis Procedure"](#).

Is the inspection result normal?

- YES (Present error)>>Replace the CAN gateway. Refer to [LAN-123, "Removal and Installation"](#).
- YES (Past error)>>Error was detected in the CAN gateway branch line (CAN communication circuit 1 side). Refer to [LAN-47, "System Diagram"](#).
- NO >> Repair the power supply and the ground circuit.

5. CHECK HARNESS CONTINUITY (OPEN CIRCUIT)

1. Disconnect the harness connector M28.
2. Check the continuity between the CAN gateway harness connector and the harness connector.

CAN gateway harness connector		Harness connector		Continuity
Connector No.	Terminal No.	Connector No.	Terminal No.	
M125	1	M28	326	Existed
	7		328	Existed

Is the inspection result normal?

- YES >> Replace the PCB harness.
- NO >> Repair the harness between the CAN gateway harness connector M125 and the harness connector M28.

A
B
C
D
E
F
G
H
I
J
K
L
N
O
P

LAN

CGW BRANCH LINE CIRCUIT (CAN COMMUNICATION CIRCUIT 2)

< DTC/CIRCUIT DIAGNOSIS >

[CAN]

CGW BRANCH LINE CIRCUIT (CAN COMMUNICATION CIRCUIT 2)

Diagnosis Procedure

INFOID:000000006888703

1.CHECK DTC

Check DTC of the CAN gateway with CONSULT.

Is U1010 or B2600 indicated?

- YES >> Perform a diagnosis of the indicated DTC.
- NO >> GO TO 2.

2.CHECK CONNECTOR

1. Turn the ignition switch OFF.
2. Disconnect the battery cable from the negative terminal.
3. Check the following terminals and connectors for damage, bend and loose connection (unit side and connector side).
 - CAN gateway
 - Harness connector M23 and PCB harness side connector

Is the inspection result normal?

- YES >> GO TO 3.
- NO >> Repair the terminal and connector.

3.CHECK HARNESS CONTINUITY (OPEN CIRCUIT)

1. Disconnect the connector of CAN gateway.
2. Check the continuity between the CAN gateway harness connector terminals.

CAN gateway harness connector			Continuity
Connector No.	Terminal No.		
M125	4	6	Existed
	10	12	Existed

Is the inspection result normal?

- YES >> GO TO 4.
- NO >> GO TO 5.

4.CHECK POWER SUPPLY AND GROUND CIRCUIT

Check the power supply and the ground circuit of the CAN gateway. Refer to [LAN-122, "Diagnosis Procedure"](#).

Is the inspection result normal?

- YES (Present error)>>Replace the CAN gateway. Refer to [LAN-123, "Removal and Installation"](#).
- YES (Past error)>>Error was detected in the CAN gateway branch line (CAN communication circuit 2 side). Refer to [LAN-47, "System Diagram"](#).
- NO >> Repair the power supply and the ground circuit.

5.CHECK HARNESS CONTINUITY (OPEN CIRCUIT)

1. Disconnect the harness connector M23.
2. Check the continuity between the CAN gateway harness connector and the harness connector.

CAN gateway harness connector		Harness connector		Continuity
Connector No.	Terminal No.	Connector No.	Terminal No.	
M125	4	M23	133	Existed
	10		135	Existed

Is the inspection result normal?

- YES >> Replace the PCB harness.
- NO >> Repair the harness between the CAN gateway harness connector M125 and the harness connector M23.

HVAC BRANCH LINE CIRCUIT

< DTC/CIRCUIT DIAGNOSIS >

[CAN]

HVAC BRANCH LINE CIRCUIT

Diagnosis Procedure

INFOID:000000006888704

1. CHECK CONNECTOR

1. Turn the ignition switch OFF.
2. Disconnect the battery cable from the negative terminal.
3. Check the following terminals and connectors for damage, bend and loose connection (unit side and connector side).
 - A/C auto amp.
 - Harness connector M28 and PCB harness side connector

Is the inspection result normal?

- YES >> GO TO 2.
NO >> Repair the terminal and connector.

2. CHECK HARNESS FOR OPEN CIRCUIT

1. Disconnect the connector of A/C auto amp.
2. Check the resistance between the A/C auto amp. harness connector terminals.

A/C auto amp. harness connector			Resistance (Ω)
Connector No.	Terminal No.		
M66	12	11	Approx. 54 – 66

Is the measurement value within the specification?

- YES >> GO TO 3.
NO >> GO TO 4.

3. CHECK POWER SUPPLY AND GROUND CIRCUIT

Check the power supply and the ground circuit of the A/C auto amp. Refer to [HAC-156. "A/C AUTO AMP. : Diagnosis Procedure"](#).

Is the inspection result normal?

- YES (Present error)>>Replace the A/C auto amp. Refer to [HAC-190. "Removal and Installation"](#).
YES (Past error)>>Error was detected in the A/C auto amp. branch line.
NO >> Repair the power supply and the ground circuit.

4. CHECK HARNESS CONTINUITY (OPEN CIRCUIT)

1. Disconnect the harness connector M28.
2. Check the continuity between the A/C auto amp. harness connector and the harness connector.

A/C auto amp. harness connector		Harness connector		Continuity
Connector No.	Terminal No.	Connector No.	Terminal No.	
M66	12	M28	325	Existed
	11		327	Existed

Is the inspection result normal?

- YES >> Replace the PCB harness.
NO >> Repair the harness between the A/C auto amp. harness connector M66 and the harness connector M28.

A
B
C
D
E
F
G
H
I
J
K
L
N
O
P

LAN

TCM BRANCH LINE CIRCUIT

< DTC/CIRCUIT DIAGNOSIS >

[CAN]

TCM BRANCH LINE CIRCUIT

Diagnosis Procedure

INFOID:000000006888705

1. CHECK CONNECTOR

1. Turn the ignition switch OFF.
2. Disconnect the battery cable from the negative terminal.
3. Check the following terminals and connectors for damage, bend and loose connection (unit side and connector side).
 - A/T assembly
 - Harness connector F103
 - Harness connector M116
 - Harness connector M28 and PCB harness side connector

Is the inspection result normal?

YES >> GO TO 2.

NO >> Repair the terminal and connector.

2. CHECK HARNESS FOR OPEN CIRCUIT

1. Disconnect the connector of A/T assembly.
2. Check the resistance between the A/T assembly harness connector terminals.

A/T assembly harness connector		Resistance (Ω)
Connector No.	Terminal No.	
F61	3 8	Approx. 54 – 66

Is the measurement value within the specification?

YES >> GO TO 3.

NO >> GO TO 5.

3. CHECK HARNESS FOR OPEN CIRCUIT

1. Remove the joint connector. Refer to [TM-181, "Exploded View"](#).
2. Check the continuity between the A/T assembly harness connector side and the TCM harness connector side of the joint connector.

A/T assembly harness connector side	TCM harness connector side	Continuity
Terminal No.	Terminal No.	
3	3	Existed
8	8	Existed

Is the inspection result normal?

YES >> GO TO 4.

NO >> Replace the joint connector.

4. CHECK POWER SUPPLY AND GROUND CIRCUIT

Check the power supply and the ground circuit of the TCM. Refer to [TM-150, "Diagnosis Procedure"](#).

Is the inspection result normal?

YES (Present error)>>Replace the control valve & TCM. Refer to [TM-181, "Exploded View"](#).

YES (Past error)>>Error was detected in the TCM branch line.

NO >> Repair the power supply and the ground circuit.

5. CHECK HARNESS CONTINUITY (OPEN CIRCUIT)

1. Disconnect the harness connector M28.
2. Check the continuity between the A/T assembly harness connector and the harness connector.

TCM BRANCH LINE CIRCUIT

< DTC/CIRCUIT DIAGNOSIS >

[CAN]

A/T assembly harness connector		Harness connector		Continuity
Connector No.	Terminal No.	Connector No.	Terminal No.	
F61	3	M28	346	Existed
	8		347	Existed

Is the inspection result normal?

YES >> Replace the PCB harness.

NO >> Repair the harness between the A/T assembly harness connector F61 and the harness connector M28.

A
B
C
D
E
F
G
H
I
J
K
L

LAN

N
O
P

A-BAG BRANCH LINE CIRCUIT

< DTC/CIRCUIT DIAGNOSIS >

[CAN]

A-BAG BRANCH LINE CIRCUIT

Diagnosis Procedure

INFOID:000000006888706

WARNING:

- Before servicing, turn ignition switch OFF, disconnect battery negative terminal, and wait 3 minutes or more. (To discharge backup capacitor.)
- Never use unspecified tester or other measuring device.

1. CHECK CONNECTOR

1. Turn the ignition switch OFF.
2. Disconnect the battery cable from the negative terminal.
3. Check the following terminals and connectors for damage, bend and loose connection (unit side and connector side).
 - Air bag diagnosis sensor unit
 - Harness connector M26 and PCB harness side connector

Is the inspection result normal?

- YES >> GO TO 2.
NO >> Replace the main harness and/or the PCB harness.

2. CHECK AIR BAG DIAGNOSIS SENSOR UNIT

Check the air bag diagnosis sensor unit. Refer to [SRC-24. "Work Flow"](#).

Is the inspection result normal?

- YES >> Replace the main harness and/or the PCB harness.
NO >> Replace parts whose air bag system has a malfunction.

AV BRANCH LINE CIRCUIT

< DTC/CIRCUIT DIAGNOSIS >

[CAN]

AV BRANCH LINE CIRCUIT

Diagnosis Procedure

INFOID:00000000688707

1.CHECK CONNECTOR

1. Turn the ignition switch OFF.
2. Disconnect the battery cable from the negative terminal.
3. Check the following terminals and connectors for damage, bend and loose connection (unit side and connector side).
 - AV control unit
 - Harness connector M25 and PCB harness side connector

Is the inspection result normal?

YES >> GO TO 2.

NO >> Repair the terminal and connector.

2.CHECK HARNESS FOR OPEN CIRCUIT

1. Disconnect the connector of AV control unit.
2. Check the resistance between the AV control unit harness connector terminals.
 - Models with navigation system

AV control unit harness connector			Resistance (Ω)
Connector No.	Terminal No.		
M210	90	74	Approx. 54 – 66

- Models without navigation system

AV control unit harness connector			Resistance (Ω)
Connector No.	Terminal No.		
M84	81	80	Approx. 54 – 66

Is the measurement value within the specification?

YES >> GO TO 3.

NO >> GO TO 4.

3.CHECK POWER SUPPLY AND GROUND CIRCUIT

Check the power supply and the ground circuit of the AV control unit. Refer to the following.

- Base audio without navigation system: [AV-72. "AV CONTROL UNIT : Diagnosis Procedure"](#)
- BOSE audio with navigation system: [AV-236. "AV CONTROL UNIT : Diagnosis Procedure"](#)

Is the inspection result normal?

YES (Present error)>>Replace the AV control unit. Refer to the following.

- Base audio without navigation system: [AV-103. "Removal and Installation"](#)
- BOSE audio with navigation system: [AV-263. "Removal and Installation"](#)

YES (Past error)>>Error was detected in the AV control unit branch line.

NO >> Repair the power supply and the ground circuit.

4.CHECK HARNESS CONTINUITY (OPEN CIRCUIT)

1. Disconnect the harness connector M25.
2. Check the continuity between the AV control unit harness connector and the harness connector.
 - Models with navigation system

AV control unit harness connector		Harness connector		Continuity
Connector No.	Terminal No.	Connector No.	Terminal No.	
M210	90	M25	201	Existed
	74		221	Existed

- Models without navigation system

AV BRANCH LINE CIRCUIT

< DTC/CIRCUIT DIAGNOSIS >

[CAN]

AV control unit harness connector		Harness connector		Continuity
Connector No.	Terminal No.	Connector No.	Terminal No.	
M84	81	M25	201	Existed
	80		221	Existed

Is the inspection result normal?

YES >> Replace the PCB harness.

NO (With navigation system)>>Repair the harness between the AV control unit harness connector M210 and the harness connector M25.

NO (Without navigation system)>>Repair the harness between the AV control unit harness connector M84 and the harness connector M25.

M&A BRANCH LINE CIRCUIT

< DTC/CIRCUIT DIAGNOSIS >

[CAN]

M&A BRANCH LINE CIRCUIT

Diagnosis Procedure

INFOID:000000006888708

1.CHECK CONNECTOR

1. Turn the ignition switch OFF.
2. Disconnect the battery cable from the negative terminal.
3. Check the following terminals and connectors for damage, bend and loose connection (unit side and connector side).
 - Combination meter
 - Harness connector M24 and PCB harness side connector

Is the inspection result normal?

- YES >> GO TO 2.
NO >> Repair the terminal and connector.

2.CHECK HARNESS FOR OPEN CIRCUIT

1. Disconnect the connector of combination meter.
2. Check the resistance between the combination meter harness connector terminals.

Combination meter harness connector			Resistance (Ω)
Connector No.	Terminal No.		
M53	14	15	Approx. 54 – 66

Is the measurement value within the specification?

- YES >> GO TO 3.
NO >> GO TO 4.

3.CHECK POWER SUPPLY AND GROUND CIRCUIT

Check the power supply and the ground circuit of the combination meter Refer to [MWI-59. "COMBINATION METER : Diagnosis Procedure"](#).

Is the inspection result normal?

- YES (Present error)>>Replace the combination meter. Refer to [MWI-79. "Removal and Installation"](#).
YES (Past error)>>Error was detected in the combination meter branch line.
NO >> Repair the power supply and the ground circuit.

4.CHECK HARNESS CONTINUITY (OPEN CIRCUIT)

1. Disconnect the harness connector M24.
2. Check the continuity between the combination meter harness connector and the harness connector.

Combination meter harness connector		Harness connector		Continuity
Connector No.	Terminal No.	Connector No.	Terminal No.	
M53	14	M24	176	Existed
	15		177	Existed

Is the inspection result normal?

- YES >> Replace the PCB harness.
NO >> Repair the harness between the combination meter harness connector M53 and the harness connector M24.

A
B
C
D
E
F
G
H
I
J
K
L
N
O
P

LAN

DLC BRANCH LINE CIRCUIT

< DTC/CIRCUIT DIAGNOSIS >

[CAN]

DLC BRANCH LINE CIRCUIT

Diagnosis Procedure

INFOID:000000007205523

1. CHECK CONNECTOR

1. Turn the ignition switch OFF.
2. Disconnect the battery cable from the negative terminal.
3. Check the following terminals and connectors for damage, bend and loose connection (unit side and connector side).
 - Data link connector
 - Harness connector M181
 - Harness connector M105
 - Harness connector M23 and PCB harness side connector

Is the inspection result normal?

YES >> GO TO 2.

NO >> Repair the terminal and connector.

2. CHECK HARNESS FOR OPEN CIRCUIT

Check the resistance between the data link connector terminals.

Data link connector			Resistance (Ω)
Connector No.	Terminal No.		
M182	6	14	Approx. 54 – 66

Is the measurement value within the specification?

YES (Present error)>>Check CAN system type decision again.

YES (Past error)>>Error was detected in the data link connector branch line circuit.

NO >> GO TO 3.

3. CHECK HARNESS CONTINUITY (OPEN CIRCUIT)

1. Disconnect the harness connector M23.
2. Check the continuity between the data link connector and the harness connector.

Data link connector		Harness connector		Continuity
Connector No.	Terminal No.	Connector No.	Terminal No.	
M182	6	M23	151	Existed
	14		150	Existed

Is the inspection result normal?

YES >> Replace the PCB harness.

NO >> Repair the harness between the data link connector M182 and the harness connector M23.

DLC BRANCH LINE CIRCUIT (CAN COMMUNICATION CIRCUIT 1)

< DTC/CIRCUIT DIAGNOSIS >

[CAN]

DLC BRANCH LINE CIRCUIT (CAN COMMUNICATION CIRCUIT 1)

Diagnosis Procedure

INFOID:00000000688709

1. CHECK CONNECTOR

1. Turn the ignition switch OFF.
2. Disconnect the battery cable from the negative terminal.
3. Check the following terminals and connectors for damage, bend and loose connection (unit side and connector side).
 - Data link connector
 - Harness connector M181
 - Harness connector M105
 - Harness connector M23 and PCB harness side connector

Is the inspection result normal?

YES >> GO TO 2.

NO >> Repair the terminal and connector.

2. CHECK HARNESS FOR OPEN CIRCUIT

Check the resistance between the data link connector terminals.

Data link connector			Resistance (Ω)
Connector No.	Terminal No.		
M182	6	14	Approx. 54 – 66

Is the measurement value within the specification?

YES (Present error)>>Check CAN system type decision again.

YES (Past error)>>Error was detected in the data link connector branch line circuit (CAN communication circuit 1 side). Refer to [LAN-47. "System Diagram"](#).

NO >> GO TO 3.

3. CHECK HARNESS CONTINUITY (OPEN CIRCUIT)

1. Disconnect the harness connector M23.
2. Check the continuity between the data link connector and the harness connector.

Data link connector		Harness connector		Continuity
Connector No.	Terminal No.	Connector No.	Terminal No.	
M182	6	M23	151	Existed
	14		150	Existed

Is the inspection result normal?

YES >> Replace the PCB harness.

NO >> Repair the harness between the data link connector M182 and the harness connector M23.

LAN

DLC BRANCH LINE CIRCUIT (CAN COMMUNICATION CIRCUIT 2)

< DTC/CIRCUIT DIAGNOSIS >

[CAN]

DLC BRANCH LINE CIRCUIT (CAN COMMUNICATION CIRCUIT 2)

Diagnosis Procedure

INFOID:000000007204737

1. CHECK CONNECTOR

1. Turn the ignition switch OFF.
2. Disconnect the battery cable from the negative terminal.
3. Check the following terminals and connectors for damage, bend and loose connection (unit side and connector side).
 - Data link connector
 - Harness connector M181
 - Harness connector M105
 - Harness connector M23 and PCB harness side connector

Is the inspection result normal?

YES >> GO TO 2.

NO >> Repair the terminal and connector.

2. CHECK HARNESS FOR OPEN CIRCUIT

Check the resistance between the data link connector terminals.

Data link connector		Resistance (Ω)
Connector No.	Terminal No.	
M182	13	12
		Approx. 54 – 66

Is the measurement value within the specification?

YES (Present error)>>Check CAN system type decision again.

YES (Past error)>>Error was detected in the data link connector branch line circuit (CAN communication circuit 2 side). Refer to [LAN-47, "System Diagram"](#).

NO >> GO TO 3.

3. CHECK HARNESS CONTINUITY (OPEN CIRCUIT)

1. Disconnect the harness connector M23.
2. Check the continuity between the data link connector and the harness connector.

Data link connector		Harness connector		Continuity
Connector No.	Terminal No.	Connector No.	Terminal No.	
M182	13	M23	140	Existed
	12		139	Existed

Is the inspection result normal?

YES >> Replace the PCB harness.

NO >> Repair the harness between the data link connector M182 and the harness connector M23.

BCM BRANCH LINE CIRCUIT

< DTC/CIRCUIT DIAGNOSIS >

[CAN]

BCM BRANCH LINE CIRCUIT

Diagnosis Procedure

INFOID:000000006888710

1. CHECK CONNECTOR

1. Turn the ignition switch OFF.
2. Disconnect the battery cable from the negative terminal.
3. Check the following terminals and connectors for damage, bend and loose connection (unit side and connector side).
 - BCM
 - Harness connector M22 and PCB harness side connector

Is the inspection result normal?

- YES >> GO TO 2.
NO >> Repair the terminal and connector.

2. CHECK HARNESS FOR OPEN CIRCUIT

1. Disconnect the connector of BCM.
2. Check the resistance between the BCM harness connector terminals.

BCM harness connector			Resistance (Ω)
Connector No.	Terminal No.		
M120	39	40	Approx. 54 – 66

Is the measurement value within the specification?

- YES >> GO TO 3.
NO >> GO TO 4.

3. CHECK POWER SUPPLY AND GROUND CIRCUIT

Check the power supply and the ground circuit of the BCM. Refer to [BCS-75. "Diagnosis Procedure"](#).

Is the inspection result normal?

- YES (Present error)>>Replace the BCM. Refer to [BCS-82. "Removal and Installation"](#).
YES (Past error)>>Error was detected in the BCM branch line.
NO >> Repair the power supply and the ground circuit.

4. CHECK HARNESS CONTINUITY (OPEN CIRCUIT)

1. Disconnect the harness connector M22.
2. Check the continuity between the BCM harness connector and the harness connector.

BCM harness connector		Harness connector		Continuity
Connector No.	Terminal No.	Connector No.	Terminal No.	
M120	39	M22	101	Existed
	40		102	Existed

Is the inspection result normal?

- YES >> Replace the PCB harness.
NO >> Repair the harness between the BCM harness connector M120 and the harness connector M22.

A
B
C
D
E
F
G
H
I
J
K
L
N
O
P

LAN

STRG BRANCH LINE CIRCUIT

< DTC/CIRCUIT DIAGNOSIS >

[CAN]

STRG BRANCH LINE CIRCUIT

Diagnosis Procedure

INFOID:00000000688711

1.CHECK CONNECTOR

1. Turn the ignition switch OFF.
2. Disconnect the battery cable from the negative terminal.
3. Check the following terminals and connectors for damage, bend and loose connection (unit side and connector side).
 - Steering angle sensor
 - Harness connector M22 and PCB harness side connector

Is the inspection result normal?

YES >> GO TO 2.

NO >> Repair the terminal and connector.

2.CHECK HARNESS FOR OPEN CIRCUIT

1. Disconnect the connector of steering angle sensor.
2. Check the resistance between the steering angle sensor harness connector terminals.

Steering angle sensor harness connector			Resistance (Ω)
Connector No.	Terminal No.		
M37	1	2	Approx. 54 – 66

Is the measurement value within the specification?

YES >> GO TO 3.

NO >> GO TO 4.

3.CHECK POWER SUPPLY AND GROUND CIRCUIT

Check the power supply and the ground circuit of the steering angle sensor. Refer to [BRC-53. "Wiring Diagram"](#).

Is the inspection result normal?

YES (Present error)>>Replace the steering angle sensor. Refer to [BRC-144. "Removal and Installation"](#).

YES (Past error)>>Error was detected in the steering angle sensor branch line.

NO >> Repair the power supply and the ground circuit.

4.CHECK HARNESS CONTINUITY (OPEN CIRCUIT)

1. Disconnect the harness connector M22.
2. Check the continuity between the steering angle sensor harness connector and the harness connector.

Steering angle sensor harness connector		Harness connector		Continuity
Connector No.	Terminal No.	Connector No.	Terminal No.	
M37	1	M22	81	Existed
	2		82	Existed

Is the inspection result normal?

YES >> Replace the PCB harness.

NO >> Repair the harness between the steering angle sensor harness connector M37 and the harness connector M22.

4WD BRANCH LINE CIRCUIT

< DTC/CIRCUIT DIAGNOSIS >

[CAN]

4WD BRANCH LINE CIRCUIT

Diagnosis Procedure

INFOID:000000006888712

1. CHECK CONNECTOR

1. Turn the ignition switch OFF.
2. Disconnect the battery cable from the negative terminal.
3. Check the terminals and connectors of the AWD control unit for damage, bend and loose connection (unit side and connector side).

Is the inspection result normal?

- YES >> GO TO 2.
NO >> Repair the terminal and connector.

2. CHECK HARNESS FOR OPEN CIRCUIT

1. Disconnect the connector of AWD control unit.
2. Check the resistance between the AWD control unit harness connector terminals.

AWD control unit harness connector			Resistance (Ω)
Connector No.	Terminal No.		
B17	8	16	Approx. 54 – 66

Is the measurement value within the specification?

- YES >> GO TO 3.
NO >> Repair the AWD control unit branch line.

3. CHECK POWER SUPPLY AND GROUND CIRCUIT

Check the power supply and the ground circuit of the AWD control unit. Refer to [DLN-42, "Diagnosis Procedure"](#).

Is the inspection result normal?

- YES (Present error)>>Replace the AWD control unit. Refer to [DLN-54, "Removal and Installation"](#).
YES (Past error)>>Error was detected in the AWD control unit branch line.
NO >> Repair the power supply and the ground circuit.

A
B
C
D
E
F
G
H
I
J
K
L

LAN

N
O
P

RAS BRANCH LINE CIRCUIT

< DTC/CIRCUIT DIAGNOSIS >

[CAN]

RAS BRANCH LINE CIRCUIT

Diagnosis Procedure

INFOID:000000006888713

1. CHECK CONNECTOR

1. Turn the ignition switch OFF.
2. Disconnect the battery cable from the negative terminal.
3. Check the terminals and connectors of the 4WAS main control unit for damage, bend and loose connection (unit side and connector side).

Is the inspection result normal?

- YES >> GO TO 2.
NO >> Repair the terminal and connector.

2. CHECK HARNESS FOR OPEN CIRCUIT

1. Disconnect the connector of 4WAS main control unit.
2. Check the resistance between the 4WAS main control unit harness connector terminals.

4WAS main control unit harness connector			Resistance (Ω)
Connector No.	Terminal No.		
B54	1	8	Approx. 54 – 66

Is the measurement value within the specification?

- YES >> GO TO 3.
NO >> Replace the body harness.

3. CHECK POWER SUPPLY AND GROUND CIRCUIT

Check the power supply and the ground circuit of the 4WAS main control unit. Refer to [STC-160, "Diagnosis Procedure \(4WAS Main Control Unit\)"](#).

Is the inspection result normal?

- YES (Present error)>>Replace the 4WAS main control unit. Refer to [STC-174, "Removal and Installation"](#).
YES (Past error)>>Error was detected in the 4WAS main control unit branch line.
NO >> Repair the power supply and the ground circuit.

ABS BRANCH LINE CIRCUIT

< DTC/CIRCUIT DIAGNOSIS >

[CAN]

ABS BRANCH LINE CIRCUIT

Diagnosis Procedure

INFOID:000000006888714

1. CHECK CONNECTOR

1. Turn the ignition switch OFF.
2. Disconnect the battery cable from the negative terminal.
3. Check the terminals and connectors of the ABS actuator and electric unit (control unit) for damage, bend and loose connection (unit side and connector side).

Is the inspection result normal?

- YES >> GO TO 2.
NO >> Repair the terminal and connector.

2. CHECK HARNESS FOR OPEN CIRCUIT

1. Disconnect the connector of ABS actuator and electric unit (control unit).
2. Check the resistance between the ABS actuator and electric unit (control unit) harness connector terminals.

ABS actuator and electric unit (control unit) harness connector			Resistance (Ω)
Connector No.	Terminal No.		
E41	25	15	Approx. 54 – 66

Is the measurement value within the specification?

- YES >> GO TO 3.
NO >> Repair the ABS actuator and electric unit (control unit) branch line.

3. CHECK POWER SUPPLY AND GROUND CIRCUIT

Check the power supply and the ground circuit of the ABS actuator and electric unit (control unit). Refer to [BRC-119, "Diagnosis Procedure"](#).

Is the inspection result normal?

- YES (Present error)>>Replace the ABS actuator and electric unit (control unit). Refer to [BRC-141, "Removal and Installation"](#).
YES (Past error)>>Error was detected in the ABS actuator and electric unit (control unit) branch line.
NO >> Repair the power supply and the ground circuit.

LAN

AFS BRANCH LINE CIRCUIT

< DTC/CIRCUIT DIAGNOSIS >

[CAN]

AFS BRANCH LINE CIRCUIT

Diagnosis Procedure

INFOID:000000006888715

1. CHECK CONNECTOR

1. Turn the ignition switch OFF.
2. Disconnect the battery cable from the negative terminal.
3. Check the terminals and connectors of the AFS control unit for damage, bend and loose connection (unit side and connector side).

Is the inspection result normal?

- YES >> GO TO 2.
NO >> Repair the terminal and connector.

2. CHECK HARNESS FOR OPEN CIRCUIT

1. Disconnect the connector of AFS control unit.
2. Check the resistance between the AFS control unit harness connector terminals.

AFS control unit harness connector			Resistance (Ω)
Connector No.	Terminal No.		
E104	30	7	Approx. 54 – 66

Is the measurement value within the specification?

- YES >> GO TO 3.
NO >> Repair the AFS control unit branch line.

3. CHECK POWER SUPPLY AND GROUND CIRCUIT

Check the power supply and the ground circuit of the AFS control unit. Refer to [EXL-72, "AFS CONTROL UNIT : Diagnosis Procedure"](#).

Is the inspection result normal?

- YES (Present error)>>Replace the AFS control unit. Refer to [EXL-114, "Removal and Installation"](#).
YES (Past error)>>Error was detected in the AFS control unit branch line.
NO >> Repair the power supply and the ground circuit.

IPDM-E BRANCH LINE CIRCUIT

< DTC/CIRCUIT DIAGNOSIS >

[CAN]

IPDM-E BRANCH LINE CIRCUIT

Diagnosis Procedure

INFOID:00000000688716

1. CHECK CONNECTOR

1. Turn the ignition switch OFF.
2. Disconnect the battery cable from the negative terminal.
3. Check the terminals and connectors of the IPDM E/R for damage, bend and loose connection (unit side and connector side).

Is the inspection result normal?

- YES >> GO TO 2.
NO >> Repair the terminal and connector.

2. CHECK HARNESS FOR OPEN CIRCUIT

1. Disconnect the connector of IPDM E/R.
2. Check the resistance between the IPDM E/R harness connector terminals.

IPDM E/R harness connector			Resistance (Ω)
Connector No.	Terminal No.		
E6	40	39	Approx. 108 – 132

Is the measurement value within the specification?

- YES >> GO TO 3.
NO >> Repair the IPDM E/R branch line.

3. CHECK POWER SUPPLY AND GROUND CIRCUIT

Check the power supply and the ground circuit of the IPDM E/R. Refer to [PCS-32, "Diagnosis Procedure"](#).

Is the inspection result normal?

- YES (Present error)>>Replace the IPDM E/R. Refer to [PCS-33, "Removal and Installation"](#).
YES (Past error)>>Error was detected in the IPDM E/R branch line.
NO >> Repair the power supply and the ground circuit.

A
B
C
D
E
F
G
H
I
J
K
L

LAN

N
O
P

ADP BRANCH LINE CIRCUIT

< DTC/CIRCUIT DIAGNOSIS >

[CAN]

ADP BRANCH LINE CIRCUIT

Diagnosis Procedure

INFOID:000000006888717

1. CHECK CONNECTOR

1. Turn the ignition switch OFF.
2. Disconnect the battery cable from the negative terminal.
3. Check the following terminals and connectors for damage, bend and loose connection (unit side and connector side).
 - Driver seat control unit
 - Harness connector B501
 - Harness connector B11
 - CAN gateway (With ICC system)

Is the inspection result normal?

YES (With ICC system)>>GO TO 2.

YES (Without ICC system)>>GO TO 3.

NO >> Repair the terminal and connector.

2. CHECK HARNESS CONTINUITY (OPEN CIRCUIT)

1. Disconnect the connector of CAN gateway.
2. Check the continuity between the CAN gateway harness connector terminals.

CAN gateway harness connector			Continuity
Connector No.	Terminal No.		
M125	4	6	Existed
	10	12	Existed

Is the inspection result normal?

YES >> GO TO 3.

NO >> Check the harness and repair or replace (if shield line is open) the root cause (CAN communication circuit 2 side). Refer to [LAN-47, "System Diagram"](#).

3. CHECK HARNESS FOR OPEN CIRCUIT

1. Connect the connector of CAN gateway. (With ICC system)
2. Disconnect the connector of driver seat control unit.
3. Check the resistance between the driver seat control unit harness connector terminals.

Driver seat control unit harness connector			Resistance (Ω)
Connector No.	Terminal No.		
B514	23	24	Approx. 54 – 66

Is the measurement value within the specification?

YES >> GO TO 4.

NO >> Repair the driver seat control unit branch line.

4. CHECK POWER SUPPLY AND GROUND CIRCUIT

Check the power supply and the ground circuit of the driver seat control unit. Refer to [ADP-61, "DRIVER SEAT CONTROL UNIT : Diagnosis Procedure"](#).

Is the inspection result normal?

YES (Present error)>>Replace the driver seat control unit. Refer to [ADP-134, "Removal and Installation"](#).

YES (Past error)>>Error was detected in the driver seat control unit branch line.

NO >> Repair the power supply and the ground circuit.

ICC BRANCH LINE CIRCUIT

< DTC/CIRCUIT DIAGNOSIS >

[CAN]

ICC BRANCH LINE CIRCUIT

Diagnosis Procedure

INFOID:000000006888718

1.CHECK CONNECTOR

1. Turn the ignition switch OFF.
2. Disconnect the battery cable from the negative terminal.
3. Check the following terminals and connectors for damage, bend and loose connection (unit side and connector side).
 - ADAS control unit
 - CAN gateway

Is the inspection result normal?

YES >> GO TO 2.

NO >> Repair the terminal and connector.

2.CHECK HARNESS CONTINUITY (OPEN CIRCUIT)

1. Disconnect the connector of CAN gateway.
2. Check the continuity between the CAN gateway harness connector terminals.

CAN gateway harness connector		Continuity	
Connector No.	Terminal No.		
M125	4	6	Existed
	10	12	Existed

Is the inspection result normal?

YES >> GO TO 3.

NO >> Check the harness and repair or replace (if shield line is open) the root cause (CAN communication circuit 2 side). Refer to [LAN-47, "System Diagram"](#).

3.CHECK HARNESS FOR OPEN CIRCUIT

1. Connect the connector of CAN gateway.
2. Disconnect the connector of ADAS control unit.
3. Check the resistance between the ADAS control unit harness connector terminals.

ADAS control unit harness connector		Resistance (Ω)	
Connector No.	Terminal No.		
B50	14	15	Approx. 54 – 66

Is the measurement value within the specification?

YES >> GO TO 4.

NO >> Replace the body harness.

4.CHECK POWER SUPPLY AND GROUND CIRCUIT

Check the power supply and the ground circuit of the ADAS control unit. Refer to [DAS-54, "Diagnosis Procedure"](#).

Is the inspection result normal?

YES (Present error)>>Replace the ADAS control unit. Refer to [DAS-55, "Removal and Installation"](#).

YES (Past error)>>Error was detected in the ADAS control unit branch line.

NO >> Repair the power supply and the ground circuit.

A
B
C
D
E
F
G
H
I
J
K
L
N
O
P

LAN

PSB BRANCH LINE CIRCUIT

< DTC/CIRCUIT DIAGNOSIS >

[CAN]

PSB BRANCH LINE CIRCUIT

Diagnosis Procedure

INFOID:000000006888719

1. CHECK CONNECTOR

1. Turn the ignition switch OFF.
2. Disconnect the battery cable from the negative terminal.
3. Check the following terminals and connectors for damage, bend and loose connection (unit side and connector side).
 - Pre-crash seat belt control unit (driver side)
 - CAN gateway

Is the inspection result normal?

YES >> GO TO 2.

NO >> Repair the terminal and connector.

2. CHECK HARNESS CONTINUITY (OPEN CIRCUIT)

1. Disconnect the connector of CAN gateway.
2. Check the continuity between the CAN gateway harness connector terminals.

CAN gateway harness connector		Continuity	
Connector No.	Terminal No.		
M125	4	6	Existed
	10	12	Existed

Is the inspection result normal?

YES >> GO TO 3.

NO >> Check the harness and repair or replace (if shield line is open) the root cause (CAN communication circuit 2 side). Refer to [LAN-47, "System Diagram"](#).

3. CHECK HARNESS FOR OPEN CIRCUIT

1. Connect the connector of CAN gateway.
2. Disconnect the connector of pre-crash seat belt control unit (driver side).
3. Check the resistance between the pre-crash seat belt control unit (driver side) harness connector terminals.

Pre-crash seat belt control unit (driver side) harness connector		Resistance (Ω)	
Connector No.	Terminal No.		
B9	14	4	Approx. 54 – 66

Is the measurement value within the specification?

YES >> GO TO 4.

NO >> Repair the pre-crash seat belt control unit (driver side) branch line.

4. CHECK POWER SUPPLY AND GROUND CIRCUIT

Check the power supply and the ground circuit of the pre-crash seat belt control unit (driver side). Refer to [SBC-46, "Diagnosis Procedure"](#).

Is the inspection result normal?

YES (Present error)>>Replace the seat belt pre-tensioner retractor (driver side). Refer to [SB-7, "SEAT BELT RETRACTOR : Removal and Installation"](#).

YES (Past error)>>Error was detected in the pre-crash seat belt control unit (driver side) branch line.

NO >> Repair the power supply and the ground circuit.

RDR-L BRANCH LINE CIRCUIT

< DTC/CIRCUIT DIAGNOSIS >

[CAN]

RDR-L BRANCH LINE CIRCUIT

Diagnosis Procedure

INFOID:00000000688720

1. CHECK CONNECTOR

1. Turn the ignition switch OFF.
2. Disconnect the battery cable from the negative terminal.
3. Check the terminals and connectors of the side radar LH for damage, bend and loose connection (unit side and connector side).

Is the inspection result normal?

- YES >> GO TO 2.
NO >> Repair the terminal and connector.

2. CHECK HARNESS FOR OPEN CIRCUIT

1. Disconnect the connector of side radar LH.
2. Check the resistance between the side radar LH harness connector terminals.

Side radar LH harness connector			Resistance (Ω)
Connector No.	Terminal No.		
B52	4	3	Approx. 54 – 66

Is the measurement value within the specification?

- YES >> GO TO 3.
NO >> Repair the side radar LH branch line.

3. CHECK POWER SUPPLY AND GROUND CIRCUIT

Check the power supply and the ground circuit of the side radar LH. Refer to [DAS-511, "SIDE RADAR LH: Diagnosis Procedure"](#).

Is the inspection result normal?

- YES (Present error)>>Replace the side radar LH. Refer to [DAS-528, "Removal and Installation"](#).
YES (Past error)>>Error was detected in the side radar LH branch line.
NO >> Repair the power supply and the ground circuit.

A
B
C
D
E
F
G
H
I
J
K
L

LAN

N
O
P

RDR-R BRANCH LINE CIRCUIT

< DTC/CIRCUIT DIAGNOSIS >

[CAN]

RDR-R BRANCH LINE CIRCUIT

Diagnosis Procedure

INFOID:000000006888721

1. CHECK CONNECTOR

1. Turn the ignition switch OFF.
2. Disconnect the battery cable from the negative terminal.
3. Check the terminals and connectors of the side radar RH for damage, bend and loose connection (unit side and connector side).

Is the inspection result normal?

- YES >> GO TO 2.
NO >> Repair the terminal and connector.

2. CHECK RIGHT/LEFT SWITCHING SIGNAL CIRCUIT

Check the right/left switching signal circuit of the side radar RH. Refer to [DAS-514. "Diagnosis Procedure"](#).

Is the inspection result normal?

- YES >> GO TO 3.
NO >> Repair the root cause.

3. CHECK HARNESS FOR OPEN CIRCUIT

1. Disconnect the connector of side radar RH.
2. Check the resistance between the side radar RH harness connector terminals.

Side radar RH harness connector			Resistance (Ω)
Connector No.	Terminal No.		
B252	4	3	Approx. 54 – 66

Is the measurement value within the specification?

- YES >> GO TO 4.
NO >> Repair the side radar RH branch line.

4. CHECK POWER SUPPLY AND GROUND CIRCUIT

Check the power supply and the ground circuit of the side radar RH. Refer to [DAS-512. "SIDE RADAR RH : Diagnosis Procedure"](#).

Is the inspection result normal?

- YES (Present error)>>Replace the side radar RH. Refer to [DAS-528. "Removal and Installation"](#).
YES (Past error)>>Error was detected in the side radar RH branch line.
NO >> Repair the power supply and the ground circuit.

APA BRANCH LINE CIRCUIT

< DTC/CIRCUIT DIAGNOSIS >

[CAN]

APA BRANCH LINE CIRCUIT

Diagnosis Procedure

INFOID:00000000688722

1. CHECK CONNECTOR

1. Turn the ignition switch OFF.
2. Disconnect the battery cable from the negative terminal.
3. Check the following terminals and connectors for damage, bend and loose connection (unit side and connector side).
 - Accelerator pedal actuator
 - Harness connector M151
 - Harness connector M150
 - Harness connector M23 and PCB harness side connector

Is the inspection result normal?

YES >> GO TO 2.

NO >> Repair the terminal and connector.

2. CHECK HARNESS FOR OPEN CIRCUIT

1. Disconnect the connector of accelerator pedal actuator.
2. Check the resistance between the accelerator pedal actuator harness connector terminals.

Accelerator pedal actuator harness connector			Resistance (Ω)
Connector No.	Terminal No.		
M152	5	4	Approx. 54 – 66

Is the measurement value within the specification?

YES >> GO TO 3.

NO >> GO TO 4.

3. CHECK POWER SUPPLY AND GROUND CIRCUIT

Check the power supply and the ground circuit of the accelerator pedal actuator. Refer to [DAS-178, "ACCELERATOR PEDAL ACTUATOR : Diagnosis Procedure"](#).

Is the inspection result normal?

YES (Present error)>>Replace the accelerator pedal assembly. Refer to [ACC-4, "MODELS WITH DISTANCE CONTROL ASSIST SYSTEM : Removal and Installation"](#).

YES (Past error)>>Error was detected in the accelerator pedal actuator branch line.

NO >> Repair the power supply and the ground circuit.

4. CHECK HARNESS CONTINUITY (OPEN CIRCUIT)

1. Disconnect the harness connector M23.
2. Check the continuity between the accelerator pedal actuator harness connector and the harness connector.

Accelerator pedal actuator harness connector		Harness connector		Continuity
Connector No.	Terminal No.	Connector No.	Terminal No.	
M152	5	M23	138	Existed
	4		137	Existed

Is the inspection result normal?

YES >> Replace the PCB harness.

NO >> Repair the harness between the accelerator pedal actuator harness connector M152 and the harness connector M23.

LANE BRANCH LINE CIRCUIT

< DTC/CIRCUIT DIAGNOSIS >

[CAN]

LANE BRANCH LINE CIRCUIT

Diagnosis Procedure

INFOID:000000006888723

1. CHECK CONNECTOR

1. Turn the ignition switch OFF.
2. Disconnect the battery cable from the negative terminal.
3. Check the following terminals and connectors for damage, bend and loose connection (unit side and connector side).
 - Lane camera unit
 - Harness connector R7
 - Harness connector M110
 - Harness connector M24 and PCB harness side connector

Is the inspection result normal?

YES >> GO TO 2.

NO >> Repair the terminal and connector.

2. CHECK HARNESS FOR OPEN CIRCUIT

1. Disconnect the connector of lane camera unit.
2. Check the resistance between the lane camera unit harness connector terminals.

Lane camera unit harness connector			Resistance (Ω)
Connector No.	Terminal No.		
R8	4	8	Approx. 54 – 66

Is the measurement value within the specification?

YES >> GO TO 3.

NO >> GO TO 4.

3. CHECK POWER SUPPLY AND GROUND CIRCUIT

Check the power supply and the ground circuit of the lane camera unit. Refer to [DAS-355, "LANE CAMERA UNIT : Diagnosis Procedure"](#).

Is the inspection result normal?

YES (Present error)>>Replace the lane camera unit. Refer to [DAS-371, "Removal and Installation"](#).

YES (Past error)>>Error was detected in the lane camera unit branch line.

NO >> Repair the power supply and the ground circuit.

4. CHECK HARNESS CONTINUITY (OPEN CIRCUIT)

1. Disconnect the harness connector M24.
2. Check the continuity between the lane camera unit harness connector and the harness connector.

Lane camera unit harness connector		Harness connector		Continuity
Connector No.	Terminal No.	Connector No.	Terminal No.	
R8	4	M24	179	Existed
	8		178	Existed

Is the inspection result normal?

YES >> Replace the PCB harness.

NO >> Repair the harness between the lane camera unit harness connector R8 and the harness connector M24.

LASER BRANCH LINE CIRCUIT

< DTC/CIRCUIT DIAGNOSIS >

[CAN]

LASER BRANCH LINE CIRCUIT

Diagnosis Procedure

INFOID:000000006888724

1. CHECK CONNECTOR

1. Turn the ignition switch OFF.
2. Disconnect the battery cable from the negative terminal.
3. Check the following terminals and connectors for damage, bend and loose connection (unit side and connector side).
 - ICC sensor
 - Harness connector E106
 - Harness connector M6
 - Harness connector M28 and PCB harness side connector

Is the inspection result normal?

YES >> GO TO 2.

NO >> Repair the terminal and connector.

2. CHECK HARNESS FOR OPEN CIRCUIT

1. Disconnect the connector of ICC sensor.
2. Check the resistance between the ICC sensor harness connector terminals.

ICC sensor harness connector			Resistance (Ω)
Connector No.	Terminal No.		
E67	3	6	Approx. 108 – 132

Is the measurement value within the specification?

YES >> GO TO 3.

NO >> GO TO 4.

3. CHECK POWER SUPPLY AND GROUND CIRCUIT

Check the power supply and the ground circuit of the ICC sensor. Refer to [CCS-152, "ICC SENSOR : Diagnosis Procedure"](#).

Is the inspection result normal?

YES (Present error)>>Replace the ICC sensor. Refer to [CCS-170, "Removal and Installation"](#).

YES (Past error)>>Error was detected in the ICC sensor branch line.

NO >> Repair the power supply and the ground circuit.

4. CHECK HARNESS CONTINUITY (OPEN CIRCUIT)

1. Disconnect the harness connector M28.
2. Check the continuity between the ICC sensor harness connector and the harness connector.

ICC sensor harness connector		Harness connector		Continuity
Connector No.	Terminal No.	Connector No.	Terminal No.	
E67	3	M28	343	Existed
	6		345	Existed

Is the inspection result normal?

YES >> Replace the PCB harness.

NO >> Repair the harness between the ICC sensor harness connector E67 and the harness connector M28.

A
B
C
D
E
F
G
H
I
J
K
L
N
O
P

LAN

CAN COMMUNICATION CIRCUIT

< DTC/CIRCUIT DIAGNOSIS >

[CAN]

CAN COMMUNICATION CIRCUIT

Diagnosis Procedure

INFOID:000000006888725

1. CONNECTOR INSPECTION

1. Turn the ignition switch OFF.
2. Disconnect the battery cable from the negative terminal.
3. Disconnect all the unit connectors on CAN communication system.
4. Check terminals and connectors for damage, bend and loose connection.

Is the inspection result normal?

- YES >> GO TO 2.
NO >> Repair the terminal and connector.

2. CHECK HARNESS CONTINUITY (SHORT CIRCUIT)

Check the continuity between the data link connector terminals.

Data link connector		Continuity
Connector No.	Terminal No.	
M182	6 14	Not existed

Is the inspection result normal?

- YES >> GO TO 3.
NO >> Check the harness and repair or replace (if shield line or PCB harness is short) the root cause.

3. CHECK HARNESS CONTINUITY (SHORT CIRCUIT)

Check the continuity between the data link connector and the ground.

Data link connector		Ground	Continuity
Connector No.	Terminal No.		
M182	6		Not existed
	14		Not existed

Is the inspection result normal?

- YES >> GO TO 4.
NO >> Check the harness and repair or replace (if shield line or PCB harness is short) the root cause.

4. CHECK ECM AND IPDM E/R TERMINATION CIRCUIT

1. Remove the ECM and the IPDM E/R.
2. Check the resistance between the ECM terminals.
 - VQ37VHR

ECM		Resistance (Ω)
Terminal No.		
114	113	Approx. 108 – 132

- VK56VD

ECM		Resistance (Ω)
Terminal No.		
146	151	Approx. 108 – 132

3. Check the resistance between the IPDM E/R terminals.

IPDM E/R		Resistance (Ω)
Terminal No.		
40	39	Approx. 108 – 132

CAN COMMUNICATION CIRCUIT

[CAN]

< DTC/CIRCUIT DIAGNOSIS >

Is the measurement value within the specification?

YES >> GO TO 5.

NO >> Replace the ECM and/or the IPDM E/R.

5.CHECK SYMPTOM

Connect all the connectors. Check if the symptoms described in the “Symptom (Results from interview with customer)” are reproduced.

Inspection result

Reproduced>>GO TO 6.

Non-reproduced>>Start the diagnosis again. Follow the trouble diagnosis procedure when past error is detected.

6.CHECK UNIT REPRODUCTION

Perform the reproduction test as per the following procedure for each unit.

1. Turn the ignition switch OFF.
2. Disconnect the battery cable from the negative terminal.
3. Disconnect one of the unit connectors of CAN communication system.

NOTE:

ECM and IPDM E/R have a termination circuit. Check other units first.

4. Connect the battery cable to the negative terminal. Check if the symptoms described in the “Symptom (Results from interview with customer)” are reproduced.

NOTE:

Although unit-related error symptoms occur, do not confuse them with other symptoms.

Inspection result

Reproduced>>Connect the connector. Check other units as per the above procedure.

Non-reproduced>>Replace the unit whose connector was disconnected.

A
B
C
D
E
F
G
H
I
J
K
L

LAN

N
O
P

CAN COMMUNICATION CIRCUIT 1

< DTC/CIRCUIT DIAGNOSIS >

[CAN]

CAN COMMUNICATION CIRCUIT 1

Diagnosis Procedure

INFOID:000000006888726

1. CONNECTOR INSPECTION

1. Turn the ignition switch OFF.
2. Disconnect the battery cable from the negative terminal.
3. Disconnect all the unit connectors on CAN communication circuit 1.

NOTE:

For identification of CAN communication circuit 1, CAN communication circuit 2, and ITS communication circuit, refer to [LAN-47. "System Diagram"](#).

4. Check terminals and connectors for damage, bend and loose connection.

Is the inspection result normal?

YES >> GO TO 2.

NO >> Repair the terminal and connector.

2. CHECK HARNESS CONTINUITY (SHORT CIRCUIT)

Check the continuity between the data link connector terminals.

Data link connector		Continuity
Connector No.	Terminal No.	
M182	6 14	Not existed

Is the inspection result normal?

YES >> GO TO 3.

NO >> Check the harness and repair or replace (if shield line or PCB harness is short) the root cause.

3. CHECK HARNESS CONTINUITY (SHORT CIRCUIT)

Check the continuity between the data link connector and the ground.

Data link connector		Ground	Continuity
Connector No.	Terminal No.		
M182	6		Not existed
	14		Not existed

Is the inspection result normal?

YES >> GO TO 4.

NO >> Check the harness and repair or replace (if shield line or PCB harness is short) the root cause.

4. CHECK ECM AND IPDM E/R TERMINATION CIRCUIT

1. Remove the ECM and the IPDM E/R.
2. Check the resistance between the ECM terminals.
 - VQ37VHR

ECM		Resistance (Ω)
Terminal No.		
114	113	Approx. 108 – 132

- VK56VD

ECM		Resistance (Ω)
Terminal No.		
146	151	Approx. 108 – 132

3. Check the resistance between the IPDM E/R terminals.

CAN COMMUNICATION CIRCUIT 1

< DTC/CIRCUIT DIAGNOSIS >

[CAN]

IPDM E/R		Resistance (Ω)
Terminal No.		
40	39	Approx. 108 – 132

Is the measurement value within the specification?

YES >> GO TO 5.

NO >> Replace the ECM and/or the IPDM E/R.

5.CHECK SYMPTOM

Connect all the connectors. Check if the symptoms described in the “Symptom (Results from interview with customer)” are reproduced.

Inspection result

Reproduced>>GO TO 6.

Non-reproduced>>Start the diagnosis again. Follow the trouble diagnosis procedure when past error is detected.

6.CHECK UNIT REPRODUCTION

Perform the reproduction test as per the following procedure for each unit.

1. Turn the ignition switch OFF.
2. Disconnect the battery cable from the negative terminal.
3. Disconnect one of the unit connectors of CAN communication circuit 1.

NOTE:

ECM and IPDM E/R have a termination circuit. Check other units first.

4. Connect the battery cable to the negative terminal. Check if the symptoms described in the “Symptom (Results from interview with customer)” are reproduced.

NOTE:

Although unit-related error symptoms occur, do not confuse them with other symptoms.

Inspection result

Reproduced>>Connect the connector. Check other units as per the above procedure.

Non-reproduced>>Replace the unit whose connector was disconnected.

A
B
C
D
E
F
G
H
I
J
K
L

LAN

N
O
P

CAN COMMUNICATION CIRCUIT 2

< DTC/CIRCUIT DIAGNOSIS >

[CAN]

CAN COMMUNICATION CIRCUIT 2

Diagnosis Procedure

INFOID:00000000688727

1.CONNECTOR INSPECTION

1. Turn the ignition switch OFF.
2. Disconnect the battery cable from the negative terminal.
3. Disconnect all the unit connectors on CAN communication circuit 2.

NOTE:

For identification of CAN communication circuit 1, CAN communication circuit 2, and ITS communication circuit, refer to [LAN-47. "System Diagram"](#).

4. Check terminals and connectors for damage, bend and loose connection.

Is the inspection result normal?

YES >> GO TO 2.

NO >> Repair the terminal and connector.

2.CHECK HARNESS CONTINUITY (SHORT CIRCUIT)

Check the continuity between the data link connector terminals.

Data link connector		Continuity
Connector No.	Terminal No.	
M182	13	Not existed
	12	

Is the inspection result normal?

YES >> GO TO 3.

NO >> Check the harness and repair or replace (if shield line or PCB harness is short) the root cause.

3.CHECK HARNESS CONTINUITY (SHORT CIRCUIT)

Check the continuity between the data link connector and the ground.

Data link connector		Ground	Continuity
Connector No.	Terminal No.		
M182	13		Not existed
	12		Not existed

Is the inspection result normal?

YES >> GO TO 4.

NO >> Check the harness and repair or replace (if shield line or PCB harness is short) the root cause.

4.CHECK CAN GATEWAY TERMINATION CIRCUIT

1. Remove the CAN gateway.
2. Check the resistance between the CAN gateway terminals.

CAN gateway		Resistance (Ω)
Terminal No.		
4	10	Approx. 108 – 132
6	12	Approx. 108 – 132

Is the measurement value within the specification?

YES >> GO TO 5.

NO >> Replace the CAN gateway.

5.CHECK SYMPTOM

Connect all the connectors. Check if the symptoms described in the "Symptom (Results from interview with customer)" are reproduced.

Inspection result

Reproduced>>GO TO 6.

CAN COMMUNICATION CIRCUIT 2

< DTC/CIRCUIT DIAGNOSIS >

[CAN]

Non-reproduced>>Start the diagnosis again. Follow the trouble diagnosis procedure when past error is detected.

6.CHECK UNIT REPRODUCTION

Perform the reproduction test as per the following procedure for each unit.

1. Turn the ignition switch OFF.
2. Disconnect the battery cable from the negative terminal.
3. Disconnect one of the unit connectors of CAN communication circuit 2.

NOTE:

CAN gateway has two termination circuits. Check other units first.

4. Connect the battery cable to the negative terminal. Check if the symptoms described in the “Symptom (Results from interview with customer)” are reproduced.

NOTE:

Although unit-related error symptoms occur, do not confuse them with other symptoms.

Inspection result

Reproduced>>Connect the connector. Check other units as per the above procedure.

Non-reproduced>>Replace the unit whose connector was disconnected.

A
B
C
D
E
F
G
H
I
J
K
L

LAN

N
O
P

ITS COMMUNICATION CIRCUIT

< DTC/CIRCUIT DIAGNOSIS >

[CAN]

ITS COMMUNICATION CIRCUIT

Diagnosis Procedure

INFOID:00000000688728

1. CHECK CAN DIAGNOSIS

Check the CAN diagnosis results from CONSULT to see that the CAN communication circuit 1 and CAN communication circuit 2 have no malfunction.

NOTE:

For identification of CAN communication circuit 1, CAN communication circuit 2, and ITS communication circuit, refer to [LAN-47. "System Diagram"](#).

Are the CAN communication 1 and CAN communication 2 circuits normal?

YES >> GO TO 2.

NO >> Check and repair CAN communication circuit 1 and/or CAN communication circuit 2.

2. CONNECTOR INSPECTION

1. Turn the ignition switch OFF.
2. Disconnect the battery cable from the negative terminal.
3. Check the terminals and connectors of the ADAS control unit for damage, bend and loose connection (unit side and connector side).

Is the inspection result normal?

YES >> GO TO 3.

NO >> Repair the terminal and connector.

3. CHECK HARNESS CONTINUITY (OPEN CIRCUIT)

1. Disconnect the following harness connectors.
 - ADAS control unit
 - ICC sensor
2. Check the continuity between the ADAS control unit harness connector and the ICC sensor harness connector.

ADAS control unit harness connector		ICC sensor harness connector		Continuity
Connector No.	Terminal No.	Connector No.	Terminal No.	
B50	7	E67	3	Existed
	8		6	Existed

Is the inspection result normal?

YES >> GO TO 4.

NO >> Replace the body harness.

4. CHECK HARNESS CONTINUITY (SHORT CIRCUIT)

1. Disconnect the following harness connectors.
 - Side radar LH
 - Side radar RH
 - Accelerator pedal actuator
 - Lane camera unit
2. Check the continuity between the ADAS control unit harness connector terminals.

ADAS control unit harness connector			Continuity
Connector No.	Terminal No.		
B50	7	8	Not existed

Is the inspection result normal?

YES >> GO TO 5.

NO >> Check the harness and repair or replace (if shield line or PCB harness is short) the root cause.

5. CHECK HARNESS CONTINUITY (SHORT CIRCUIT)

Check the continuity between the ADAS control unit harness connector and the ground.

ITS COMMUNICATION CIRCUIT

< DTC/CIRCUIT DIAGNOSIS >

[CAN]

ADAS control unit harness connector		Ground	Continuity
Connector No.	Terminal No.		
B50	7		
	8		Not existed

A

B

Is the inspection result normal?

YES >> GO TO 6.

NO >> Check the harness and repair or replace (if shield line or PCB harness is short) the root cause.

C

6.CHECK TERMINATION CIRCUIT

1. Remove the ADAS control unit and the ICC sensor.
2. Check the resistance between the ADAS control unit terminals.

D

ADAS control unit		Resistance (Ω)
Terminal No.		
7	8	Approx. 108 – 132

E

F

3. Check the resistance between the ICC sensor terminals.

ICC sensor		Resistance (Ω)
Terminal No.		
3	6	Approx. 108 – 132

G

H

Is the inspection result normal?

YES >> GO TO 7.

NO >> Replace the ADAS control unit and/or the ICC sensor.

I

7.CHECK SYMPTOM

Connect all the connectors. Check if the symptoms described in the “Symptom (Results from interview with customer)” are reproduced.

J

Inspection result

Reproduced>>GO TO 8.

Non-reproduced>>Start the diagnosis again. Follow the trouble diagnosis procedure when past error is detected.

K

8.CHECK UNIT REPRODUCTION

Perform the reproduction test as per the following procedure for each unit.

L

1. Turn the ignition switch OFF.
2. Disconnect the battery cable from the negative terminal.
3. Disconnect one of the unit connectors of ITS communication system.

NOTE:

ADAS control unit and ICC sensor have a termination circuit. Check other units first.

4. Connect the battery cable to the negative terminal. Check if the symptoms described in the “Symptom (Results from interview with customer)” are reproduced.

N

NOTE:

Although unit-related error symptoms occur, do not confuse them with other symptoms.

O

Inspection result

Reproduced>>Connect the connector. Check other units as per the above procedure.

Non-reproduced>>Replace the unit whose connector was disconnected.

P

LAN

PRECAUTION

PRECAUTIONS

Precaution for Supplemental Restraint System (SRS) "AIR BAG" and "SEAT BELT PRE-TENSIONER"

INFOID:000000006888729

The Supplemental Restraint System such as "AIR BAG" and "SEAT BELT PRE-TENSIONER", used along with a front seat belt, helps to reduce the risk or severity of injury to the driver and front passenger for certain types of collision. This system includes seat belt switch inputs and dual stage front air bag modules. The SRS system uses the seat belt switches to determine the front air bag deployment, and may only deploy one front air bag, depending on the severity of a collision and whether the front occupants are belted or unbelted. Information necessary to service the system safely is included in the "SRS AIR BAG" and "SEAT BELT" of this Service Manual.

WARNING:

Always observe the following items for preventing accidental activation.

- To avoid rendering the SRS inoperative, which could increase the risk of personal injury or death in the event of a collision that would result in air bag inflation, all maintenance must be performed by an authorized NISSAN/INFINITI dealer.
- Improper maintenance, including incorrect removal and installation of the SRS, can lead to personal injury caused by unintentional activation of the system. For removal of Spiral Cable and Air Bag Module, see "SRS AIR BAG".
- Never use electrical test equipment on any circuit related to the SRS unless instructed to in this Service Manual. SRS wiring harnesses can be identified by yellow and/or orange harnesses or harness connectors.

PRECAUTIONS WHEN USING POWER TOOLS (AIR OR ELECTRIC) AND HAMMERS

WARNING:

Always observe the following items for preventing accidental activation.

- When working near the Air Bag Diagnosis Sensor Unit or other Air Bag System sensors with the ignition ON or engine running, never use air or electric power tools or strike near the sensor(s) with a hammer. Heavy vibration could activate the sensor(s) and deploy the air bag(s), possibly causing serious injury.
- When using air or electric power tools or hammers, always switch the ignition OFF, disconnect the battery, and wait at least 3 minutes before performing any service.

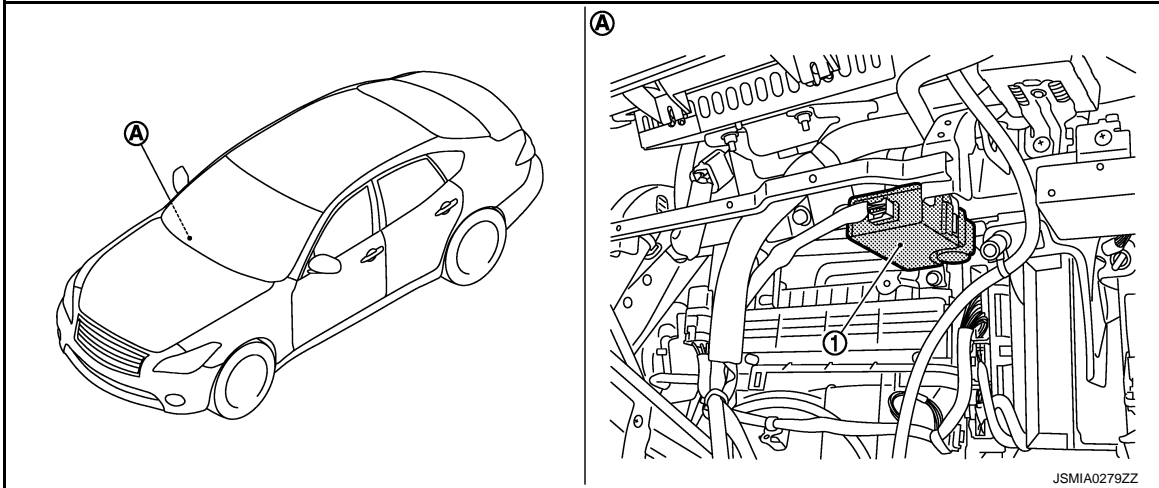
< SYSTEM DESCRIPTION >

SYSTEM DESCRIPTION

COMPONENT PARTS

Component Parts Location

INFOID:000000006888730



- 1. CAN gateway
- A. Over the glove box

A
B
C
D
E
F
G
H
I
J
K
L

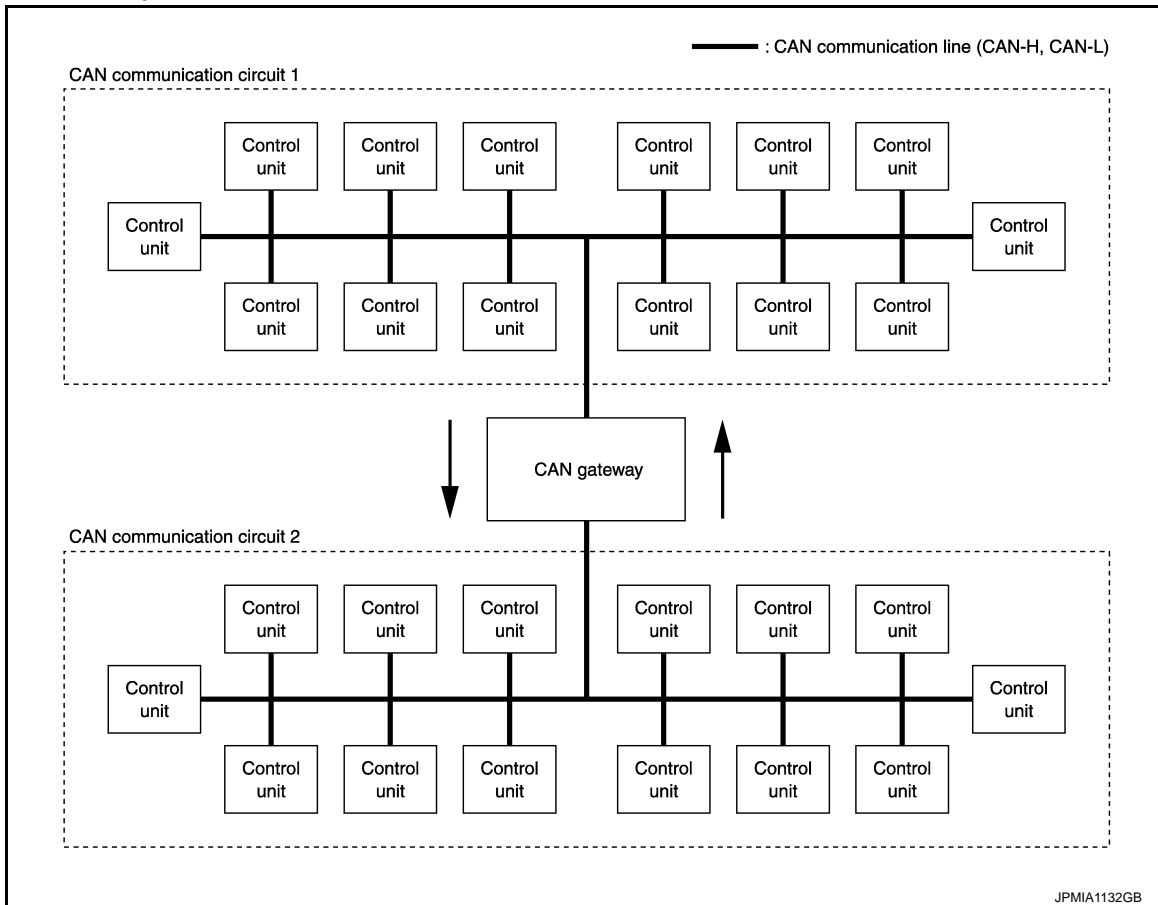
LAN

N
O
P

SYSTEM

System Description

INFOID:000000006888731



- The CAN gateway system communicates between two CAN communication circuits.
- This system selects and transmits only necessary information.

DIAGNOSIS SYSTEM (CAN GATEWAY)

< SYSTEM DESCRIPTION >

[CAN GATEWAY]

DIAGNOSIS SYSTEM (CAN GATEWAY)

CONSULT Function

INFOID:000000006888732

APPLICATION ITEM

CONSULT performs the following functions via CAN communication with CAN gateway.

Diagnosis mode	Function Description
Ecu Identification	The CAN gateway part number is displayed.
Self Diagnostic Result	Displays the diagnosis results judged by CAN gateway.
CAN Diag Support Monitor	The results of transmit/receive diagnosis of CAN communication can be read.
Configuration	<ul style="list-style-type: none">• Read and save the vehicle specification.• Write the vehicle specification when replacing CAN gateway.

SELF DIAGNOSTIC RESULT

Refer to [LAN-114, "DTC Index"](#).

A
B
C
D
E
F
G
H
I
J
K
L

LAN

N
O
P

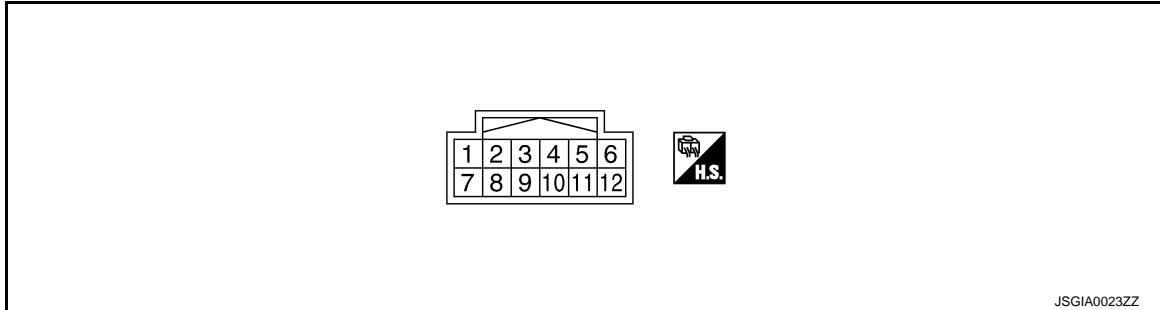
ECU DIAGNOSIS INFORMATION

CAN GATEWAY

Reference Value

INFOID:000000006888733

TERMINAL LAYOUT



PHYSICAL VALUES

Terminal No. (Wire color)		Description		Condition	Value (Approx.)
+	-	Signal name	Input/ Output		
1 (L)	—	CAN-H (CAN communication circuit 1)	Input/ Output	—	—
3 (GR)	Ground	Battery power supply	Input	Ignition switch OFF	Battery voltage
4 (L)	—	CAN-H (CAN communication circuit 2)	Input/ Output	—	—
5 (B)	Ground	Ground	—	Ignition switch ON	0 V
6 (L)	—	CAN-H (CAN communication circuit 2)	Input/ Output	—	—
7 (P)	—	CAN-L (CAN communication circuit 1)	Input/ Output	—	—
9 (W)	Ground	Ignition power supply	Input	Ignition switch ON	Battery voltage
10 (P)	—	CAN-L (CAN communication circuit 2)	Input/ Output	—	—
11 (B)	Ground	Ground	—	Ignition switch ON	0 V
12 (P)	—	CAN-L (CAN communication circuit 2)	Input/ Output	—	—

DTC Inspection Priority Chart

INFOID:000000006888734

If some DTCs are displayed at the same time, perform inspections one by one based on the following priority chart.

Priority	DTC
1	<ul style="list-style-type: none"> • B2600: CONFIG ERROR • U1010: CONTROL UNIT(CAN)
2	U1000: CAN COMM CIRCUIT

DTC Index

INFOID:000000006888735

NOTE:

CAN GATEWAY

< ECU DIAGNOSIS INFORMATION >

[CAN GATEWAY]

- The details of time display are as follows.
- CRNT: A malfunction is detected now
- PAST: A malfunction was detected in the past.
- IGN counter is displayed on FFD (Freeze Frame Data).
- The number is 0 when is detected now
- The number increases like 1 → 2 ... 38 → 39 after returning to the normal condition whenever IGN OFF → ON.
- The number is fixed to 39 until the self-diagnosis results are erased if it is over 39.

DTC		Reference
No DTC is detected. Further testing may be required.		—
U1000: CAN COMM CIRCUIT		LAN-119
U1010: CONTROL UNIT(CAN)		LAN-120
B2600: CONFIG ERROR	WRONG DATA	LAN-121
	NOT CONFIGURED	

A
B
C
D
E
F
G
H
I
J
K
L
N
O
P

LAN

< WIRING DIAGRAM >

WIRING DIAGRAM

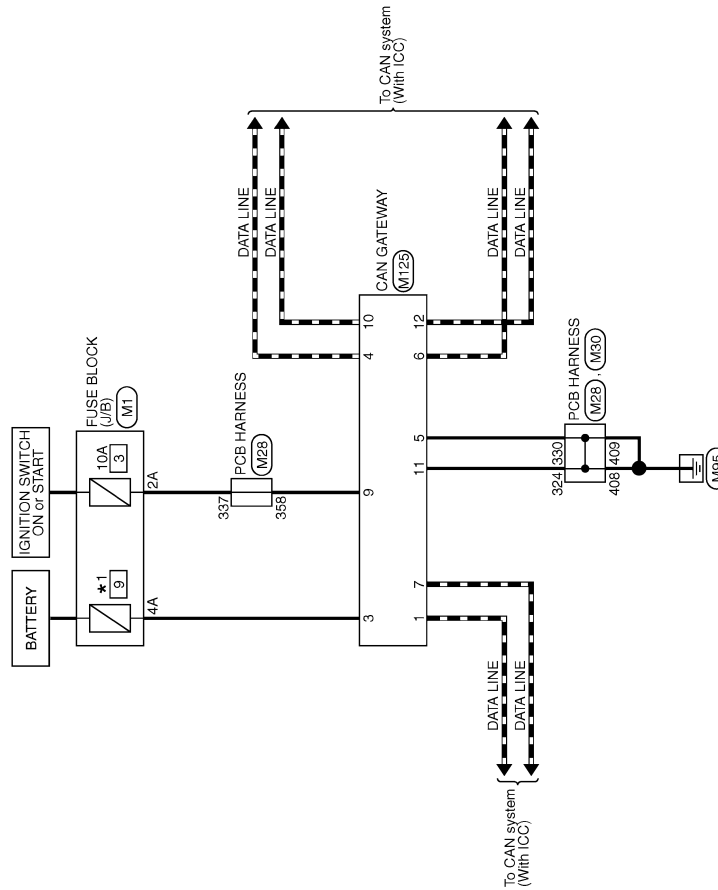
CAN GATEWAY SYSTEM

Wiring Diagram

INFOID:00000000688736

For connector terminal arrangements, harness layouts, and alphabets in a ◊ (option abbreviation; if not described in wiring diagram), refer to [GI-12. "Connector Information"](#).

*1 10A ◊XM◊ 15A ◊MX◊
 ◊MX◊ : For Mexico
 ◊XM◊ : Expect for Mexico



CAN GATEWAY SYSTEM

2011/07/19

JRMWC4737GB

BASIC INSPECTION

ADDITIONAL SERVICE WHEN REPLACING CAN GATEWAY

Description

INFOID:000000006888737

BEFORE REPLACEMENT

When replacing CAN gateway, save or print current vehicle specification with CONSULT configuration before replacement.

NOTE:

If “Before Replace ECU” of “Read / Write Configuration” can not be used, use the “Manual Configuration” after replacing CAN gateway.

AFTER REPLACEMENT

CAUTION:

Follow the instructions listed below. Failure to do this may cause malfunctions to the CAN gateway.:

- When replacing CAN gateway, you must perform “Read / Write Configuration” or “Manual Configuration” with CONSULT.
- Complete the procedure of “Read / Write Configuration” or “Manual Configuration” in order.
- If you set incorrect “Read / Write Configuration” or “Manual Configuration”, incidents might occur.
- Configuration is different for each vehicle model. Confirm configuration of each vehicle model.
- Never perform “Read / Write Configuration” or “Manual Configuration” except for new CAN gateway.

Work Procedure

INFOID:000000006888738

1. SAVING VEHICLE SPECIFICATION

ⓂCONSULT Configuration

Perform “Before Replace ECU” of “Read / Write Configuration” to save or print current vehicle specification. Refer to [LAN-118, "Description"](#).

NOTE:

If “Before Replace ECU” of “Read / Write Configuration” can not be used, use the “Manual Configuration” after replacing CAN gateway.

>> GO TO 2.

2. REPLACE CAN GATEWAY

Replace CAN gateway. Refer to [LAN-123, "Removal and Installation"](#).

>> GO TO 3.

3. WRITING VEHICLE SPECIFICATION

ⓂCONSULT Configuration

Perform “After Replace ECU” of “Read / Write Configuration” or “Manual Configuration” to write vehicle specification. Refer to [LAN-118, "Work Procedure"](#).

>> WORK END

A
B
C
D
E
F
G
H
I
J
K
L
N
O
P

LAN

CONFIGURATION (CAN GATEWAY)

Description

INFOID:000000006888739

Vehicle specification needs to be written with CONSULT because it is not written after replacing CAN gateway. Configuration has three functions as follows

Function		Description
Read / Write Configuration	Before Replace ECU	<ul style="list-style-type: none"> Reads the vehicle configuration of current CAN gateway. Saves the read vehicle configuration.
	After Replace ECU	Writes the vehicle configuration with saved data.
Manual Configuration		Writes the vehicle configuration with manual selection.

CAUTION:

Follow the instructions listed below. Failure to do this may cause malfunctions to the CAN gateway.:

- When replacing CAN gateway, you must perform “Read / Write Configuration” or “Manual Configuration” with CONSULT.
- Complete the procedure of “Read / Write Configuration” or “Manual Configuration” in order.
- If you set incorrect “Read / Write Configuration” or “Manual Configuration”, incidents might occur.
- Configuration is different for each vehicle model. Confirm configuration of each vehicle model.
- Never perform “Read / Write Configuration” or “Manual Configuration” except for new CAN gateway.

Work Procedure

INFOID:000000006888740

1. WRITING MODE SELECTION

CONSULT Configuration

Select “Re/programming, Configuration” of CAN gateway.

When writing saved data>>GO TO 2.

When writing manually>>GO TO 3.

2. PERFORM “AFTER REPLACE ECU” OF “READ / WRITE CONFIGURATION”

CONSULT Configuration

Perform “After Replace ECU” of “Read / Write Configuration”.

>> GO TO 4.

3. PERFORM “MANUAL CONFIGURATION”

CONSULT Configuration

1. Select “Manual Configuration”.
2. Touch “Next”.
3. Check that the configuration has been successfully written and touch “End”.

>> GO TO 4.

4. CHECK ALL ECU SELF-DIAGNOSIS RESULTS

1. Erase all ECU self-diagnosis results using CONSULT.
2. Turn the ignition switch OFF.
3. Turn the ignition switch ON and wait for 2 seconds or more.
4. Check that all ECU self-diagnosis results have no DTC (e.g. U1000 and U1001) of CAN communication.

>> WORK END

DTC/CIRCUIT DIAGNOSIS

U1000 CAN COMM CIRCUIT

Description

INFOID:000000006888741

CAN (Controller Area Network) is a serial communication line for real time applications. It is an on-vehicle multiplex communication line with high data communication speed and excellent error detection ability. Modern vehicle is equipped with many electronic control unit, and each control unit shares information and links with other control units during operation (not independent). In CAN communication, control units are connected with two communication lines (CAN-H and CAN-L) allowing a high rate of information transmission with less wiring. Each control unit transmits/receives data but selectively reads required data only.

CAN Communication Signal Chart. Refer to [LAN-35, "CAN COMMUNICATION SYSTEM : CAN Communication Signal Chart"](#).

DTC Logic

INFOID:000000006888742

DTC DETECTION LOGIC

DTC	CONSULT display description	DTC Detection Condition	Possible cause
U1000	CAN COMM CIRCUIT	When CAN gateway cannot communicate CAN communication signal continuously for 2 seconds or more.	CAN communication system

Diagnosis Procedure

INFOID:000000006888743

1. PERFORM SELF DIAGNOSTIC

1. Turn the ignition switch ON and wait for 2 seconds or more.
2. Check "Self Diagnostic Result".

Is "U1000: CAN COMM CIRCUIT" displayed?

- YES >> Refer to [LAN-25, "Trouble Diagnosis Flow Chart"](#).
- NO >> Refer to [GI-44, "Intermittent Incident"](#).

LAN

U1010 CONTROL UNIT (CAN)

Description

INFOID:000000006888744

CAN (Controller Area Network) is a serial communication line for real time applications. It is an on-vehicle multiplex communication line with high data communication speed and excellent error detection ability. Modern vehicle is equipped with many electronic control unit, and each control unit shares information and links with other control units during operation (not independent). In CAN communication, control units are connected with two communication lines (CAN-H and CAN-L) allowing a high rate of information transmission with less wiring. Each control unit transmits/receives data but selectively reads required data only.

CAN Communication Signal Chart. Refer to [LAN-35. "CAN COMMUNICATION SYSTEM : CAN Communication Signal Chart"](#).

DTC Logic

INFOID:000000006888745

DTC DETECTION LOGIC

DTC	CONSULT display description	DTC Detection Condition	Possible cause
U1010	CONTROL UNIT(CAN)	When an error is detected during the initial diagnosis for CAN controller of CAN gateway.	CAN gateway

Diagnosis Procedure

INFOID:000000006888746

1. REPLACE CAN GATEWAY

When DTC "U1010: CONTROL UNIT(CAN)" is detected, replace CAN gateway.

>> Replace CAN gateway. Refer to [LAN-123. "Removal and Installation"](#).

B2600 CONFIG ERROR

< DTC/CIRCUIT DIAGNOSIS >

[CAN GATEWAY]

B2600 CONFIG ERROR

Description

INFOID:000000006888747

The CAN gateway requires initial settings to judge necessary information, according to a vehicle specification.

DTC Logic

INFOID:000000006888748

DTC DETECTION LOGIC

DTC	CONSULT display description	DTC Detection Condition	Probable cause
B2600	CONFIG ERROR WRONG DATA	When errors are detected in the configuration data stored in the CAN gateway.	CAN gateway
	CONFIG ERROR NOT CONFIGURED	When no data are stored in the CAN gateway.	

Diagnosis Procedure

INFOID:000000006888749

1. REPLACE CAN GATEWAY

When DTC "B2600: CONFIG ERROR" is detected, replace CAN gateway.

>> Replace CAN gateway. Refer to [LAN-123, "Removal and Installation"](#).

A
B
C
D
E
F
G
H
I
J
K
L

LAN

N
O
P

POWER SUPPLY AND GROUND CIRCUIT

< DTC/CIRCUIT DIAGNOSIS >

[CAN GATEWAY]

POWER SUPPLY AND GROUND CIRCUIT

Diagnosis Procedure

INFOID:000000006888750

1.CHECK FUSE

Check that the following fuse are not blown.

Signal name	Fuse No.
Battery power supply	9
Ignition power supply	3

Is the fuse fusing?

YES >> Replace the blown fuse after repairing the affected circuit if a fuse is blown.

NO >> GO TO 2.

2.CHECK POWER SUPPLY CIRCUIT

1. Turn the ignition switch OFF.
2. Disconnect the connector of CAN gateway.
3. Check voltage between CAN gateway harness connector and ground.

Terminals		Condition	Voltage (Approx.)
(+)	(-)		
CAN gateway		Ignition switch	Battery voltage
Connector	Terminal		
M125	3	OFF	
	9	ON	

Is the measurement value normal?

YES >> GO TO 3.

NO >> Repair harness or connector.

3.CHECK GROUND CIRCUIT

Check continuity between CAN gateway harness connector and ground.

CAN gateway		Ground	Continuity
Connector	Terminal		
M125	5		Existed
	11		

Does continuity exist?

YES >> INSPECTION END

NO >> Repair harness or connector.

REMOVAL AND INSTALLATION

CAN GATEWAY

Removal and Installation

INFOID:000000006888751

CAUTION:

Before replacing CAN gateway, perform “Before Replace ECU” of “Read / Write Configuration” to save or print current vehicle specification. Refer to [LAN-117, "Description"](#).

REMOVAL

1. Remove instrument lower panel RH. Refer to [IP-13, "Removal and Installation"](#).
2. Disconnect CAN gateway connector.
3. Remove mounting screw to remove CAN gateway.

INSTALLATION

Install in the reverse order of removal.

CAUTION:

To prevent malfunction, be sure to perform “After Replace ECU” of “Read / Write Configuration” or “Manual Configuration” when replacing CAN gateway. Refer to [LAN-117, "Description"](#).

A
B
C
D
E
F
G
H
I
J
K
L

LAN

N
O
P

MAIN LINE BETWEEN TPMS AND HVAC CIRCUIT

< DTC/CIRCUIT DIAGNOSIS >

[CAN SYSTEM (TYPE 1)]

DTC/CIRCUIT DIAGNOSIS

MAIN LINE BETWEEN TPMS AND HVAC CIRCUIT

Diagnosis Procedure

INFOID:000000006888752

1. CHECK HARNESS CONTINUITY (OPEN CIRCUIT)

1. Turn the ignition switch OFF.
2. Disconnect the battery cable from the negative terminal.
3. Disconnect the following harness connectors.
 - ECM
 - Low tire pressure warning control unit
 - A/C auto amp.
4. Check the continuity between the low tire pressure warning control unit harness connector and the A/C auto amp. harness connector.

Low tire pressure warning control unit harness connector		A/C auto amp. harness connector		Continuity
Connector No.	Terminal No.	Connector No.	Terminal No.	
M43	2	M66	12	Existed
	1		11	Existed

Is the inspection result normal?

YES (Present error)>>Check CAN system type decision again.

YES (Past error)>>Error was detected in the main line between the low tire pressure warning control unit and the A/C auto amp.

NO >> Replace the PCB harness.

MAIN LINE BETWEEN HVAC AND A-BAG CIRCUIT

< DTC/CIRCUIT DIAGNOSIS >

[CAN SYSTEM (TYPE 1)]

MAIN LINE BETWEEN HVAC AND A-BAG CIRCUIT

Diagnosis Procedure

INFOID:000000006888753

1. CHECK HARNESS CONTINUITY (OPEN CIRCUIT)

1. Turn the ignition switch OFF.
2. Disconnect the battery cable from the negative terminal.
3. Disconnect the following harness connectors.
 - ECM
 - A/C auto amp.
 - AV control unit
4. Check the continuity between the A/C auto amp. harness connector and the AV control unit harness connector.
 - Models with navigation system

A/C auto amp. harness connector		AV control unit harness connector		Continuity
Connector No.	Terminal No.	Connector No.	Terminal No.	
M66	12	M210	90	Existed
	11		74	Existed

- Models without navigation system

A/C auto amp. harness connector		AV control unit harness connector		Continuity
Connector No.	Terminal No.	Connector No.	Terminal No.	
M66	12	M84	81	Existed
	11		80	Existed

Is the inspection result normal?

YES (Present error)>>Check CAN system type decision again.

YES (Past error)>>Error was detected in the main line between the A/C auto amp. and the air bag diagnosis sensor unit.

NO >> Replace the PCB harness.

A
B
C
D
E
F
G
H
I
J
K
L

LAN

N
O
P

MAIN LINE BETWEEN A-BAG AND AV CIRCUIT

< DTC/CIRCUIT DIAGNOSIS >

[CAN SYSTEM (TYPE 1)]

MAIN LINE BETWEEN A-BAG AND AV CIRCUIT

Diagnosis Procedure

INFOID:000000006888754

1. CHECK HARNESS CONTINUITY (OPEN CIRCUIT)

1. Turn the ignition switch OFF.
2. Disconnect the battery cable from the negative terminal.
3. Disconnect the following harness connectors.
 - ECM
 - A/C auto amp.
 - AV control unit
4. Check the continuity between the A/C auto amp. harness connector and the AV control unit harness connector.
 - Models with navigation system

A/C auto amp. harness connector		AV control unit harness connector		Continuity
Connector No.	Terminal No.	Connector No.	Terminal No.	
M66	12	M210	90	Existed
	11		74	Existed

- Models without navigation system

A/C auto amp. harness connector		AV control unit harness connector		Continuity
Connector No.	Terminal No.	Connector No.	Terminal No.	
M66	12	M84	81	Existed
	11		80	Existed

Is the inspection result normal?

YES (Present error)>>Check CAN system type decision again.

YES (Past error)>>Error was detected in the main line between the air bag diagnosis sensor unit and the AV control unit.

NO >> Replace the PCB harness.

MAIN LINE BETWEEN AV AND M&A CIRCUIT

< DTC/CIRCUIT DIAGNOSIS >

[CAN SYSTEM (TYPE 1)]

MAIN LINE BETWEEN AV AND M&A CIRCUIT

Diagnosis Procedure

INFOID:000000006888755

1. CHECK HARNESS CONTINUITY (OPEN CIRCUIT)

1. Turn the ignition switch OFF.
2. Disconnect the battery cable from the negative terminal.
3. Disconnect the following harness connectors.
 - ECM
 - AV control unit
 - Combination meter
4. Check the continuity between the AV control unit harness connector and the combination meter harness connector.
 - Models with navigation system

AV control unit harness connector		Combination meter harness connector		Continuity
Connector No.	Terminal No.	Connector No.	Terminal No.	
M210	90	M53	14	Existed
	74		15	Existed

- Models without navigation system

AV control unit harness connector		Combination meter harness connector		Continuity
Connector No.	Terminal No.	Connector No.	Terminal No.	
M84	81	M53	14	Existed
	80		15	Existed

Is the inspection result normal?

YES (Present error)>>Check CAN system type decision again.

YES (Past error)>>Error was detected in the main line between the AV control unit and the combination meter.

NO >> Replace the PCB harness.

A
B
C
D
E
F
G
H
I
J
K
L

LAN

N
O
P

MAIN LINE BETWEEN M&A AND DLC CIRCUIT

< DTC/CIRCUIT DIAGNOSIS >

[CAN SYSTEM (TYPE 1)]

MAIN LINE BETWEEN M&A AND DLC CIRCUIT

Diagnosis Procedure

INFOID:000000006888756

1. CHECK HARNESS CONTINUITY (OPEN CIRCUIT)

1. Turn the ignition switch OFF.
2. Disconnect the battery cable from the negative terminal.
3. Disconnect the following harness connectors.
 - ECM
 - Combination meter
 - Harness connectors M105 and M181
4. Check the continuity between the combination meter harness connector and the harness connector.

Combination meter harness connector		Harness connector		Continuity
Connector No.	Terminal No.	Connector No.	Terminal No.	
M53	14	M105	7	Existed
	15		8	Existed

Is the inspection result normal?

YES (Present error)>>Check CAN system type decision again.

YES (Past error)>>Error was detected in the main line between the combination meter and the data link connector.

NO >> Replace the PCB harness.

MAIN LINE BETWEEN DLC AND BCM CIRCUIT

< DTC/CIRCUIT DIAGNOSIS >

[CAN SYSTEM (TYPE 1)]

MAIN LINE BETWEEN DLC AND BCM CIRCUIT

Diagnosis Procedure

INFOID:00000000688757

1. CHECK HARNESS CONTINUITY (OPEN CIRCUIT)

1. Turn the ignition switch OFF.
2. Disconnect the battery cable from the negative terminal.
3. Disconnect the following harness connectors.
 - ECM
 - Harness connectors M181 and M105
 - BCM
4. Check the continuity between the harness connector and the BCM harness connector.

Harness connector		BCM harness connector		Continuity
Connector No.	Terminal No.	Connector No.	Terminal No.	
M105	7	M120	39	Existed
	8		40	Existed

Is the inspection result normal?

YES (Present error)>>Check CAN system type decision again.

YES (Past error)>>Error was detected in the main line between the data link connector and the BCM.

NO >> Replace the PCB harness.

A
B
C
D
E
F
G
H
I
J
K
L

LAN

N
O
P

MAIN LINE BETWEEN BCM AND ADP CIRCUIT

< DTC/CIRCUIT DIAGNOSIS >

[CAN SYSTEM (TYPE 1)]

MAIN LINE BETWEEN BCM AND ADP CIRCUIT

Diagnosis Procedure

INFOID:000000006888758

1. CHECK CONNECTOR

1. Turn the ignition switch OFF.
2. Disconnect the battery cable from the negative terminal.
3. Check the following terminals and connectors for damage, bend and loose connection (connector side and harness side).
 - Harness connector M20 and PCB harness side connector
 - Harness connector M7
 - Harness connector B1

Is the inspection result normal?

YES >> GO TO 2.

NO >> Repair the terminal and connector.

2. CHECK HARNESS CONTINUITY (OPEN CIRCUIT)

1. Disconnect the following harness connectors.
 - BCM
 - Harness connector M20
2. Check the continuity between the BCM harness connector and the PCB harness connector.

BCM harness connector		PCB harness connector		Continuity
Connector No.	Terminal No.	Terminal No.		
M120	39	35		Existed
	40	36		Existed

Is the inspection result normal?

YES >> GO TO 3.

NO >> Replace the PCB harness.

3. CHECK HARNESS CONTINUITY (OPEN CIRCUIT)

1. Disconnect the harness connectors M7 and B1.
2. Check the continuity between the harness connectors.

Harness connector		Harness connector		Continuity
Connector No.	Terminal No.	Connector No.	Terminal No.	
M20	35	M7	72	Existed
	36		73	Existed

Is the inspection result normal?

YES >> GO TO 4.

NO >> Repair the main line between the harness connectors M20 and M7.

4. CHECK HARNESS CONTINUITY (OPEN CIRCUIT)

Check the continuity between the harness connector terminals.

Connector No.	Terminal No.		Continuity
B1	72	74	Existed
	73	75	Existed

Is the inspection result normal?

YES (Present error)>>Check CAN system type decision again.

YES (Past error)>>Error was detected in the main line between the BCM and the driver seat control unit.

NO-1 >> With 4WAS or AWD models: Replace the body harness.

NO-2 >> 2WD models without 4WAS: Repair the main line between the harness connector B1 and the driver seat control unit.

MAIN LINE BETWEEN ADP AND ABS CIRCUIT

< DTC/CIRCUIT DIAGNOSIS >

[CAN SYSTEM (TYPE 1)]

MAIN LINE BETWEEN ADP AND ABS CIRCUIT

Diagnosis Procedure

INFOID:000000006888759

1. CHECK CONNECTOR

1. Turn the ignition switch OFF.
2. Disconnect the battery cable from the negative terminal.
3. Check the following terminals and connectors for damage, bend and loose connection (connector side and harness side).
 - Harness connector B1
 - Harness connector M7
 - Harness connector M6
 - Harness connector E106

Is the inspection result normal?

YES >> GO TO 2.

NO >> Repair the terminal and connector.

2. CHECK HARNESS CONTINUITY (OPEN CIRCUIT)

1. Disconnect the harness connectors B1 and M7.
2. Check the continuity between the harness connector terminals.

Connector No.	Terminal No.		Continuity
B1	72	74	Existed
	73	75	Existed

Is the inspection result normal?

YES >> GO TO 3.

NO-1 >> With 4WAS or AWD models: Replace the body harness.

NO-2 >> 2WD models without 4WAS: Repair the main line between the driver seat control unit and the harness connector B1.

3. CHECK HARNESS CONTINUITY (OPEN CIRCUIT)

1. Disconnect the harness connectors M6 and E106.
2. Check the continuity between the harness connectors.

Harness connector		Harness connector		Continuity
Connector No.	Terminal No.	Connector No.	Terminal No.	
M7	74	M6	22	Existed
	75		23	Existed

Is the inspection result normal?

YES >> GO TO 4.

NO >> Repair the main line between the harness connectors M7 and M6.

4. CHECK HARNESS CONTINUITY (OPEN CIRCUIT)

1. Disconnect the connector of ABS actuator and electric unit (control unit).
2. Check the continuity between the harness connector and the ABS actuator and electric unit (control unit) harness connector.

Harness connector		ABS actuator and electric unit (control unit) harness connector		Continuity
Connector No.	Terminal No.	Connector No.	Terminal No.	
E106	22	E41	25	Existed
	23		15	Existed

Is the inspection result normal?

YES (Present error)>>Check CAN system type decision again.

MAIN LINE BETWEEN ADP AND ABS CIRCUIT

< DTC/CIRCUIT DIAGNOSIS >

[CAN SYSTEM (TYPE 1)]

-
- YES (Past error)>>Error was detected in the main line between the driver seat control unit and the ABS actuator and electric unit (control unit).
- NO >> Repair the main line between the harness connector E106 and the ABS actuator and electric unit (control unit).

ECM BRANCH LINE CIRCUIT

< DTC/CIRCUIT DIAGNOSIS >

[CAN SYSTEM (TYPE 1)]

ECM BRANCH LINE CIRCUIT

Diagnosis Procedure

INFOID:000000007217822

1. CHECK CONNECTOR

1. Turn the ignition switch OFF.
2. Disconnect the battery cable from the negative terminal.
3. Check the following terminals and connectors for damage, bend and loose connection (unit side and connector side).
 - ECM
 - Harness connector M30 and PCB harness side connector

Is the inspection result normal?

YES >> GO TO 2.

NO >> Repair the terminal and connector.

2. CHECK HARNESS FOR OPEN CIRCUIT

1. Disconnect the connector of ECM.
2. Check the resistance between the ECM harness connector terminals.
 - VQ37VHR

ECM harness connector			Resistance (Ω)
Connector No.	Terminal No.		
M107	114	113	Approx. 108 – 132

- VK56VD

ECM harness connector			Resistance (Ω)
Connector No.	Terminal No.		
M160	146	151	Approx. 108 – 132

Is the measurement value within the specification?

YES >> GO TO 3.

NO >> GO TO 4.

3. CHECK POWER SUPPLY AND GROUND CIRCUIT

Check the power supply and the ground circuit of the ECM. Refer to the following.

- VQ37VHR for USA and Canada: [EC-180, "Diagnosis Procedure"](#)
- VQ37VHR for Mexico: [EC-682, "Diagnosis Procedure"](#)
- VK56VD for USA and Canada: [EC-1149, "Diagnosis Procedure"](#)
- VK56VD for Mexico: [EC-1707, "Diagnosis Procedure"](#)

Is the inspection result normal?

YES (Present error)>>Replace the ECM. Refer to the following.

- VQ37VHR for USA and Canada: [EC-543, "Removal and Installation"](#)
- VQ37VHR for Mexico: [EC-980, "Removal and Installation"](#)
- VK56VD for USA and Canada: [EC-1553, "Removal and Installation"](#)
- VK56VD for Mexico: [EC-2013, "Removal and Installation"](#)

YES (Past error)>>Error was detected in the ECM branch line.

NO >> Repair the power supply and the ground circuit.

4. CHECK HARNESS CONTINUITY (OPEN CIRCUIT)

1. Disconnect the harness connector M30.
2. Check the continuity between the ECM harness connector and the harness connector.
 - VQ37VHR

ECM harness connector		Harness connector		Continuity
Connector No.	Terminal No.	Connector No.	Terminal No.	

ECM BRANCH LINE CIRCUIT

< DTC/CIRCUIT DIAGNOSIS >

[CAN SYSTEM (TYPE 1)]

M107	114	M30	439	Existed
	113		438	Existed

- VK56VD

ECM harness connector		Harness connector		Continuity
Connector No.	Terminal No.	Connector No.	Terminal No.	
M160	146	M30	439	Existed
	151		438	Existed

Is the inspection result normal?

YES >> Replace the PCB harness.

NO (VQ37VHR)>>Repair the harness between the ECM harness connector M107 and the harness connector M30.

NO (VK56VD)>>Repair the harness between the ECM harness connector M160 and the harness connector M30.

TPMS BRANCH LINE CIRCUIT

< DTC/CIRCUIT DIAGNOSIS >

[CAN SYSTEM (TYPE 1)]

TPMS BRANCH LINE CIRCUIT

Diagnosis Procedure

INFOID:000000007217824

1. CHECK CONNECTOR

1. Turn the ignition switch OFF.
2. Disconnect the battery cable from the negative terminal.
3. Check the following terminals and connectors for damage, bend and loose connection (unit side and connector side).
 - Low tire pressure warning control unit
 - Harness connector M29 and PCB harness side connector

Is the inspection result normal?

YES >> GO TO 2.

NO >> Repair the terminal and connector.

2. CHECK HARNESS FOR OPEN CIRCUIT

1. Disconnect the connector of low tire pressure warning control unit.
2. Check the resistance between the low tire pressure warning control unit harness connector terminals.

Low tire pressure warning control unit harness connector			Resistance (Ω)
Connector No.	Terminal No.		
M43	2	1	Approx. 54 – 66

Is the measurement value within the specification?

YES >> GO TO 3.

NO >> GO TO 4.

3. CHECK POWER SUPPLY AND GROUND CIRCUIT

Check the power supply and the ground circuit of the low tire pressure warning control unit. Refer to [WT-43. "Diagnosis Procedure"](#).

Is the inspection result normal?

YES (Present error)>>Replace the low tire pressure warning control unit. Refer to [WT-58. "Removal and Installation"](#).

YES (Past error)>>Error was detected in the low tire pressure warning control unit branch line.

NO >> Repair the power supply and the ground circuit.

4. CHECK HARNESS CONTINUITY (OPEN CIRCUIT)

1. Disconnect the harness connector M29.
2. Check the continuity between the low tire pressure warning control unit harness connector and the harness connector.

Low tire pressure warning control unit harness connector		Harness connector		Continuity
Connector No.	Terminal No.	Connector No.	Terminal No.	
M43	2	M29	396	Existed
	1		395	Existed

Is the inspection result normal?

YES >> Replace the PCB harness.

NO >> Repair the harness between the low tire pressure warning control unit harness connector M43 and the harness connector M29.

HVAC BRANCH LINE CIRCUIT

< DTC/CIRCUIT DIAGNOSIS >

[CAN SYSTEM (TYPE 1)]

HVAC BRANCH LINE CIRCUIT

Diagnosis Procedure

INFOID:000000006888762

1. CHECK CONNECTOR

1. Turn the ignition switch OFF.
2. Disconnect the battery cable from the negative terminal.
3. Check the following terminals and connectors for damage, bend and loose connection (unit side and connector side).
 - A/C auto amp.
 - Harness connector M28 and PCB harness side connector

Is the inspection result normal?

YES >> GO TO 2.

NO >> Repair the terminal and connector.

2. CHECK HARNESS FOR OPEN CIRCUIT

1. Disconnect the connector of A/C auto amp.
2. Check the resistance between the A/C auto amp. harness connector terminals.

A/C auto amp. harness connector			Resistance (Ω)
Connector No.	Terminal No.		
M66	12	11	Approx. 54 – 66

Is the measurement value within the specification?

YES >> GO TO 3.

NO >> GO TO 4.

3. CHECK POWER SUPPLY AND GROUND CIRCUIT

Check the power supply and the ground circuit of the A/C auto amp. Refer to [HAC-156, "A/C AUTO AMP. : Diagnosis Procedure"](#).

Is the inspection result normal?

YES (Present error)>>Replace the A/C auto amp. Refer to [HAC-190, "Removal and Installation"](#).

YES (Past error)>>Error was detected in the A/C auto amp. branch line.

NO >> Repair the power supply and the ground circuit.

4. CHECK HARNESS CONTINUITY (OPEN CIRCUIT)

1. Disconnect the harness connector M28.
2. Check the continuity between the A/C auto amp. harness connector and the harness connector.

A/C auto amp. harness connector		Harness connector		Continuity
Connector No.	Terminal No.	Connector No.	Terminal No.	
M66	12	M28	325	Existed
	11		327	Existed

Is the inspection result normal?

YES >> Replace the PCB harness.

NO >> Repair the harness between the A/C auto amp. harness connector M66 and the harness connector M28.

TCM BRANCH LINE CIRCUIT

< DTC/CIRCUIT DIAGNOSIS >

[CAN SYSTEM (TYPE 1)]

TCM BRANCH LINE CIRCUIT

Diagnosis Procedure

INFOID:000000007205522

1. CHECK CONNECTOR

1. Turn the ignition switch OFF.
2. Disconnect the battery cable from the negative terminal.
3. Check the following terminals and connectors for damage, bend and loose connection (unit side and connector side).
 - A/T assembly
 - Harness connector F103
 - Harness connector M116
 - Harness connector M28 and PCB harness side connector

Is the inspection result normal?

YES >> GO TO 2.

NO >> Repair the terminal and connector.

2. CHECK HARNESS FOR OPEN CIRCUIT

1. Disconnect the connector of A/T assembly.
2. Check the resistance between the A/T assembly harness connector terminals.

A/T assembly harness connector		Resistance (Ω)
Connector No.	Terminal No.	
F61	3 8	Approx. 54 – 66

Is the measurement value within the specification?

YES >> GO TO 3.

NO >> GO TO 5.

3. CHECK HARNESS FOR OPEN CIRCUIT

1. Remove the joint connector. Refer to [TM-181, "Exploded View"](#).
2. Check the continuity between the A/T assembly harness connector side and the TCM harness connector side of the joint connector.

A/T assembly harness connector side	TCM harness connector side	Continuity
Terminal No.	Terminal No.	
3	3	Existed
8	8	Existed

Is the inspection result normal?

YES >> GO TO 4.

NO >> Replace the joint connector.

4. CHECK POWER SUPPLY AND GROUND CIRCUIT

Check the power supply and the ground circuit of the TCM. Refer to [TM-150, "Diagnosis Procedure"](#).

Is the inspection result normal?

YES (Present error)>>Replace the control valve & TCM. Refer to [TM-181, "Exploded View"](#).

YES (Past error)>>Error was detected in the TCM branch line.

NO >> Repair the power supply and the ground circuit.

5. CHECK HARNESS CONTINUITY (OPEN CIRCUIT)

1. Disconnect the harness connector M28.
2. Check the continuity between the A/T assembly harness connector and the harness connector.

A
B
C
D
E
F
G
H
I
J
K
L
N
O
P

LAN

TCM BRANCH LINE CIRCUIT

< DTC/CIRCUIT DIAGNOSIS >

[CAN SYSTEM (TYPE 1)]

A/T assembly harness connector		Harness connector		Continuity
Connector No.	Terminal No.	Connector No.	Terminal No.	
F61	3	M28	346	Existed
	8		347	Existed

Is the inspection result normal?

YES >> Replace the PCB harness.

NO >> Repair the harness between the A/T assembly harness connector F61 and the harness connector M28.

A-BAG BRANCH LINE CIRCUIT

< DTC/CIRCUIT DIAGNOSIS >

[CAN SYSTEM (TYPE 1)]

A-BAG BRANCH LINE CIRCUIT

Diagnosis Procedure

INFOID:000000006888764

WARNING:

- Before servicing, turn ignition switch OFF, disconnect battery negative terminal, and wait 3 minutes or more. (To discharge backup capacitor.)
- Never use unspecified tester or other measuring device.

1. CHECK CONNECTOR

1. Turn the ignition switch OFF.
2. Disconnect the battery cable from the negative terminal.
3. Check the following terminals and connectors for damage, bend and loose connection (unit side and connector side).
 - Air bag diagnosis sensor unit
 - Harness connector M26 and PCB harness side connector

Is the inspection result normal?

YES >> GO TO 2.

NO >> Replace the main harness and/or the PCB harness.

2. CHECK AIR BAG DIAGNOSIS SENSOR UNIT

Check the air bag diagnosis sensor unit. Refer to [SRC-24. "Work Flow"](#).

Is the inspection result normal?

YES >> Replace the main harness and/or the PCB harness.

NO >> Replace parts whose air bag system has a malfunction.

A
B
C
D
E
F
G
H
I
J
K
L
N
O
P

LAN

AV BRANCH LINE CIRCUIT

< DTC/CIRCUIT DIAGNOSIS >

[CAN SYSTEM (TYPE 1)]

AV BRANCH LINE CIRCUIT

Diagnosis Procedure

INFOID:00000000688765

1. CHECK CONNECTOR

1. Turn the ignition switch OFF.
2. Disconnect the battery cable from the negative terminal.
3. Check the following terminals and connectors for damage, bend and loose connection (unit side and connector side).
 - AV control unit
 - Harness connector M25 and PCB harness side connector

Is the inspection result normal?

YES >> GO TO 2.

NO >> Repair the terminal and connector.

2. CHECK HARNESS FOR OPEN CIRCUIT

1. Disconnect the connector of AV control unit.
2. Check the resistance between the AV control unit harness connector terminals.
 - Models with navigation system

AV control unit harness connector			Resistance (Ω)
Connector No.	Terminal No.		
M210	90	74	Approx. 54 – 66

- Models without navigation system

AV control unit harness connector			Resistance (Ω)
Connector No.	Terminal No.		
M84	81	80	Approx. 54 – 66

Is the measurement value within the specification?

YES >> GO TO 3.

NO >> GO TO 4.

3. CHECK POWER SUPPLY AND GROUND CIRCUIT

Check the power supply and the ground circuit of the AV control unit. Refer to the following.

- Base audio without navigation system: [AV-72, "AV CONTROL UNIT : Diagnosis Procedure"](#)
- BOSE audio with navigation system: [AV-236, "AV CONTROL UNIT : Diagnosis Procedure"](#)

Is the inspection result normal?

YES (Present error)>>Replace the AV control unit. Refer to the following.

- Base audio without navigation system: [AV-103, "Removal and Installation"](#)
- BOSE audio with navigation system: [AV-263, "Removal and Installation"](#)

YES (Past error)>>Error was detected in the AV control unit branch line.

NO >> Repair the power supply and the ground circuit.

4. CHECK HARNESS CONTINUITY (OPEN CIRCUIT)

1. Disconnect the harness connector M25.
2. Check the continuity between the AV control unit harness connector and the harness connector.
 - Models with navigation system

AV control unit harness connector		Harness connector		Continuity
Connector No.	Terminal No.	Connector No.	Terminal No.	
M210	90	M25	201	Existed
	74		221	Existed

- Models without navigation system

AV BRANCH LINE CIRCUIT

< DTC/CIRCUIT DIAGNOSIS >

[CAN SYSTEM (TYPE 1)]

AV control unit harness connector		Harness connector		Continuity
Connector No.	Terminal No.	Connector No.	Terminal No.	
M84	81	M25	201	Existed
	80		221	Existed

Is the inspection result normal?

YES >> Replace the PCB harness.

NO (With navigation system)>>Repair the harness between the AV control unit harness connector M210 and the harness connector M25.

NO (Without navigation system)>>Repair the harness between the AV control unit harness connector M84 and the harness connector M25.

A
B
C
D
E
F
G
H
I
J
K
L

LAN

N
O
P

M&A BRANCH LINE CIRCUIT

< DTC/CIRCUIT DIAGNOSIS >

[CAN SYSTEM (TYPE 1)]

M&A BRANCH LINE CIRCUIT

Diagnosis Procedure

INFOID:000000006888766

1. CHECK CONNECTOR

1. Turn the ignition switch OFF.
2. Disconnect the battery cable from the negative terminal.
3. Check the following terminals and connectors for damage, bend and loose connection (unit side and connector side).
 - Combination meter
 - Harness connector M24 and PCB harness side connector

Is the inspection result normal?

YES >> GO TO 2.

NO >> Repair the terminal and connector.

2. CHECK HARNESS FOR OPEN CIRCUIT

1. Disconnect the connector of combination meter.
2. Check the resistance between the combination meter harness connector terminals.

Combination meter harness connector			Resistance (Ω)
Connector No.	Terminal No.		
M53	14	15	Approx. 54 – 66

Is the measurement value within the specification?

YES >> GO TO 3.

NO >> GO TO 4.

3. CHECK POWER SUPPLY AND GROUND CIRCUIT

Check the power supply and the ground circuit of the combination meter Refer to [MWI-59. "COMBINATION METER : Diagnosis Procedure"](#).

Is the inspection result normal?

YES (Present error)>>Replace the combination meter. Refer to [MWI-79. "Removal and Installation"](#).

YES (Past error)>>Error was detected in the combination meter branch line.

NO >> Repair the power supply and the ground circuit.

4. CHECK HARNESS CONTINUITY (OPEN CIRCUIT)

1. Disconnect the harness connector M24.
2. Check the continuity between the combination meter harness connector and the harness connector.

Combination meter harness connector		Harness connector		Continuity
Connector No.	Terminal No.	Connector No.	Terminal No.	
M53	14	M24	176	Existed
	15		177	Existed

Is the inspection result normal?

YES >> Replace the PCB harness.

NO >> Repair the harness between the combination meter harness connector M53 and the harness connector M24.

DLC BRANCH LINE CIRCUIT

< DTC/CIRCUIT DIAGNOSIS >

[CAN SYSTEM (TYPE 1)]

DLC BRANCH LINE CIRCUIT

Diagnosis Procedure

INFOID:000000007205524

1. CHECK CONNECTOR

1. Turn the ignition switch OFF.
2. Disconnect the battery cable from the negative terminal.
3. Check the following terminals and connectors for damage, bend and loose connection (unit side and connector side).
 - Data link connector
 - Harness connector M181
 - Harness connector M105
 - Harness connector M23 and PCB harness side connector

Is the inspection result normal?

YES >> GO TO 2.

NO >> Repair the terminal and connector.

2. CHECK HARNESS FOR OPEN CIRCUIT

Check the resistance between the data link connector terminals.

Data link connector			Resistance (Ω)
Connector No.	Terminal No.		
M182	6	14	Approx. 54 – 66

Is the measurement value within the specification?

YES (Present error)>>Check CAN system type decision again.

YES (Past error)>>Error was detected in the data link connector branch line circuit.

NO >> GO TO 3.

3. CHECK HARNESS CONTINUITY (OPEN CIRCUIT)

1. Disconnect the harness connector M23.
2. Check the continuity between the data link connector and the harness connector.

Data link connector		Harness connector		Continuity
Connector No.	Terminal No.	Connector No.	Terminal No.	
M182	6	M23	151	Existed
	14		150	Existed

Is the inspection result normal?

YES >> Replace the PCB harness.

NO >> Repair the harness between the data link connector M182 and the harness connector M23.

A
B
C
D
E
F
G
H
I
J
K
L
N
O
P

LAN

BCM BRANCH LINE CIRCUIT

< DTC/CIRCUIT DIAGNOSIS >

[CAN SYSTEM (TYPE 1)]

BCM BRANCH LINE CIRCUIT

Diagnosis Procedure

INFOID:00000000688768

1. CHECK CONNECTOR

1. Turn the ignition switch OFF.
2. Disconnect the battery cable from the negative terminal.
3. Check the following terminals and connectors for damage, bend and loose connection (unit side and connector side).
 - BCM
 - Harness connector M22 and PCB harness side connector

Is the inspection result normal?

- YES >> GO TO 2.
NO >> Repair the terminal and connector.

2. CHECK HARNESS FOR OPEN CIRCUIT

1. Disconnect the connector of BCM.
2. Check the resistance between the BCM harness connector terminals.

BCM harness connector			Resistance (Ω)
Connector No.	Terminal No.		
M120	39	40	Approx. 54 – 66

Is the measurement value within the specification?

- YES >> GO TO 3.
NO >> GO TO 4.

3. CHECK POWER SUPPLY AND GROUND CIRCUIT

Check the power supply and the ground circuit of the BCM. Refer to [BCS-75. "Diagnosis Procedure"](#).

Is the inspection result normal?

- YES (Present error)>>Replace the BCM. Refer to [BCS-82. "Removal and Installation"](#).
YES (Past error)>>Error was detected in the BCM branch line.
NO >> Repair the power supply and the ground circuit.

4. CHECK HARNESS CONTINUITY (OPEN CIRCUIT)

1. Disconnect the harness connector M22.
2. Check the continuity between the BCM harness connector and the harness connector.

BCM harness connector		Harness connector		Continuity
Connector No.	Terminal No.	Connector No.	Terminal No.	
M120	39	M22	101	Existed
	40		102	Existed

Is the inspection result normal?

- YES >> Replace the PCB harness.
NO >> Repair the harness between the BCM harness connector M120 and the harness connector M22.

STRG BRANCH LINE CIRCUIT

< DTC/CIRCUIT DIAGNOSIS >

[CAN SYSTEM (TYPE 1)]

STRG BRANCH LINE CIRCUIT

Diagnosis Procedure

INFOID:00000000688769

1. CHECK CONNECTOR

1. Turn the ignition switch OFF.
2. Disconnect the battery cable from the negative terminal.
3. Check the following terminals and connectors for damage, bend and loose connection (unit side and connector side).
 - Steering angle sensor
 - Harness connector M22 and PCB harness side connector

Is the inspection result normal?

YES >> GO TO 2.

NO >> Repair the terminal and connector.

2. CHECK HARNESS FOR OPEN CIRCUIT

1. Disconnect the connector of steering angle sensor.
2. Check the resistance between the steering angle sensor harness connector terminals.

Steering angle sensor harness connector			Resistance (Ω)
Connector No.	Terminal No.		
M37	1	2	Approx. 54 – 66

Is the measurement value within the specification?

YES >> GO TO 3.

NO >> GO TO 4.

3. CHECK POWER SUPPLY AND GROUND CIRCUIT

Check the power supply and the ground circuit of the steering angle sensor. Refer to [BRC-53. "Wiring Diagram"](#).

Is the inspection result normal?

YES (Present error)>>Replace the steering angle sensor. Refer to [BRC-144. "Removal and Installation"](#).

YES (Past error)>>Error was detected in the steering angle sensor branch line.

NO >> Repair the power supply and the ground circuit.

4. CHECK HARNESS CONTINUITY (OPEN CIRCUIT)

1. Disconnect the harness connector M22.
2. Check the continuity between the steering angle sensor harness connector and the harness connector.

Steering angle sensor harness connector		Harness connector		Continuity
Connector No.	Terminal No.	Connector No.	Terminal No.	
M37	1	M22	81	Existed
	2		82	Existed

Is the inspection result normal?

YES >> Replace the PCB harness.

NO >> Repair the harness between the steering angle sensor harness connector M37 and the harness connector M22.

A
B
C
D
E
F
G
H
I
J
K
L
N
O
P

LAN

ABS BRANCH LINE CIRCUIT

< DTC/CIRCUIT DIAGNOSIS >

[CAN SYSTEM (TYPE 1)]

ABS BRANCH LINE CIRCUIT

Diagnosis Procedure

INFOID:000000006888770

1. CHECK CONNECTOR

1. Turn the ignition switch OFF.
2. Disconnect the battery cable from the negative terminal.
3. Check the terminals and connectors of the ABS actuator and electric unit (control unit) for damage, bend and loose connection (unit side and connector side).

Is the inspection result normal?

- YES >> GO TO 2.
NO >> Repair the terminal and connector.

2. CHECK HARNESS FOR OPEN CIRCUIT

1. Disconnect the connector of ABS actuator and electric unit (control unit).
2. Check the resistance between the ABS actuator and electric unit (control unit) harness connector terminals.

ABS actuator and electric unit (control unit) harness connector			Resistance (Ω)
Connector No.	Terminal No.		
E41	25	15	Approx. 54 – 66

Is the measurement value within the specification?

- YES >> GO TO 3.
NO >> Repair the ABS actuator and electric unit (control unit) branch line.

3. CHECK POWER SUPPLY AND GROUND CIRCUIT

Check the power supply and the ground circuit of the ABS actuator and electric unit (control unit). Refer to [BRC-119, "Diagnosis Procedure"](#).

Is the inspection result normal?

- YES (Present error)>>Replace the ABS actuator and electric unit (control unit). Refer to [BRC-141, "Removal and Installation"](#).
YES (Past error)>>Error was detected in the ABS actuator and electric unit (control unit) branch line.
NO >> Repair the power supply and the ground circuit.

IPDM-E BRANCH LINE CIRCUIT

< DTC/CIRCUIT DIAGNOSIS >

[CAN SYSTEM (TYPE 1)]

IPDM-E BRANCH LINE CIRCUIT

Diagnosis Procedure

INFOID:00000000688771

1. CHECK CONNECTOR

1. Turn the ignition switch OFF.
2. Disconnect the battery cable from the negative terminal.
3. Check the terminals and connectors of the IPDM E/R for damage, bend and loose connection (unit side and connector side).

Is the inspection result normal?

- YES >> GO TO 2.
NO >> Repair the terminal and connector.

2. CHECK HARNESS FOR OPEN CIRCUIT

1. Disconnect the connector of IPDM E/R.
2. Check the resistance between the IPDM E/R harness connector terminals.

IPDM E/R harness connector			Resistance (Ω)
Connector No.	Terminal No.		
E6	40	39	Approx. 108 – 132

Is the measurement value within the specification?

- YES >> GO TO 3.
NO >> Repair the IPDM E/R branch line.

3. CHECK POWER SUPPLY AND GROUND CIRCUIT

Check the power supply and the ground circuit of the IPDM E/R. Refer to [PCS-32, "Diagnosis Procedure"](#).

Is the inspection result normal?

- YES (Present error)>>Replace the IPDM E/R. Refer to [PCS-33, "Removal and Installation"](#).
YES (Past error)>>Error was detected in the IPDM E/R branch line.
NO >> Repair the power supply and the ground circuit.

A
B
C
D
E
F
G
H
I
J
K
L

LAN

N
O
P

ADP BRANCH LINE CIRCUIT

< DTC/CIRCUIT DIAGNOSIS >

[CAN SYSTEM (TYPE 1)]

ADP BRANCH LINE CIRCUIT

Diagnosis Procedure

INFOID:000000007205525

1. CHECK CONNECTOR

1. Turn the ignition switch OFF.
2. Disconnect the battery cable from the negative terminal.
3. Check the following terminals and connectors for damage, bend and loose connection (unit side and connector side).
 - Driver seat control unit
 - Harness connector B501
 - Harness connector B11
 - CAN gateway (With ICC system)

Is the inspection result normal?

YES (With ICC system)>>GO TO 2.

YES (Without ICC system)>>GO TO 3.

NO >> Repair the terminal and connector.

2. CHECK HARNESS CONTINUITY (OPEN CIRCUIT)

1. Disconnect the connector of CAN gateway.
2. Check the continuity between the CAN gateway harness connector terminals.

CAN gateway harness connector			Continuity
Connector No.	Terminal No.		
M125	4	6	Existed
	10	12	Existed

Is the inspection result normal?

YES >> GO TO 3.

NO >> Check the harness and repair or replace (if shield line is open) the root cause (CAN communication circuit 2 side). Refer to [LAN-47, "System Diagram"](#).

3. CHECK HARNESS FOR OPEN CIRCUIT

1. Connect the connector of CAN gateway. (With ICC system)
2. Disconnect the connector of driver seat control unit.
3. Check the resistance between the driver seat control unit harness connector terminals.

Driver seat control unit harness connector			Resistance (Ω)
Connector No.	Terminal No.		
B514	23	24	Approx. 54 – 66

Is the measurement value within the specification?

YES >> GO TO 4.

NO >> Repair the driver seat control unit branch line.

4. CHECK POWER SUPPLY AND GROUND CIRCUIT

Check the power supply and the ground circuit of the driver seat control unit. Refer to [ADP-61, "DRIVER SEAT CONTROL UNIT : Diagnosis Procedure"](#).

Is the inspection result normal?

YES (Present error)>>Replace the driver seat control unit. Refer to [ADP-134, "Removal and Installation"](#).

YES (Past error)>>Error was detected in the driver seat control unit branch line.

NO >> Repair the power supply and the ground circuit.

CAN COMMUNICATION CIRCUIT

< DTC/CIRCUIT DIAGNOSIS >

[CAN SYSTEM (TYPE 1)]

CAN COMMUNICATION CIRCUIT

Diagnosis Procedure

INFOID:00000000688773

1. CONNECTOR INSPECTION

1. Turn the ignition switch OFF.
2. Disconnect the battery cable from the negative terminal.
3. Disconnect all the unit connectors on CAN communication system.
4. Check terminals and connectors for damage, bend and loose connection.

Is the inspection result normal?

- YES >> GO TO 2.
NO >> Repair the terminal and connector.

2. CHECK HARNESS CONTINUITY (SHORT CIRCUIT)

Check the continuity between the data link connector terminals.

Data link connector		Continuity
Connector No.	Terminal No.	
M182	6 14	Not existed

Is the inspection result normal?

- YES >> GO TO 3.
NO >> Check the harness and repair or replace (if shield line or PCB harness is short) the root cause.

3. CHECK HARNESS CONTINUITY (SHORT CIRCUIT)

Check the continuity between the data link connector and the ground.

Data link connector		Ground	Continuity
Connector No.	Terminal No.		
M182	6		Not existed
	14		Not existed

Is the inspection result normal?

- YES >> GO TO 4.
NO >> Check the harness and repair or replace (if shield line or PCB harness is short) the root cause.

4. CHECK ECM AND IPDM E/R TERMINATION CIRCUIT

1. Remove the ECM and the IPDM E/R.
2. Check the resistance between the ECM terminals.
 - VQ37VHR

ECM		Resistance (Ω)
Terminal No.		
114	113	Approx. 108 – 132

- VK56VD

ECM		Resistance (Ω)
Terminal No.		
146	151	Approx. 108 – 132

3. Check the resistance between the IPDM E/R terminals.

IPDM E/R		Resistance (Ω)
Terminal No.		
40	39	Approx. 108 – 132

CAN COMMUNICATION CIRCUIT

< DTC/CIRCUIT DIAGNOSIS >

[CAN SYSTEM (TYPE 1)]

Is the measurement value within the specification?

YES >> GO TO 5.

NO >> Replace the ECM and/or the IPDM E/R.

5.CHECK SYMPTOM

Connect all the connectors. Check if the symptoms described in the “Symptom (Results from interview with customer)” are reproduced.

Inspection result

Reproduced>>GO TO 6.

Non-reproduced>>Start the diagnosis again. Follow the trouble diagnosis procedure when past error is detected.

6.CHECK UNIT REPRODUCTION

Perform the reproduction test as per the following procedure for each unit.

1. Turn the ignition switch OFF.
2. Disconnect the battery cable from the negative terminal.
3. Disconnect one of the unit connectors of CAN communication system.

NOTE:

ECM and IPDM E/R have a termination circuit. Check other units first.

4. Connect the battery cable to the negative terminal. Check if the symptoms described in the “Symptom (Results from interview with customer)” are reproduced.

NOTE:

Although unit-related error symptoms occur, do not confuse them with other symptoms.

Inspection result

Reproduced>>Connect the connector. Check other units as per the above procedure.

Non-reproduced>>Replace the unit whose connector was disconnected.

MAIN LINE BETWEEN TPMS AND HVAC CIRCUIT

< DTC/CIRCUIT DIAGNOSIS >

[CAN SYSTEM (TYPE 2)]

DTC/CIRCUIT DIAGNOSIS

MAIN LINE BETWEEN TPMS AND HVAC CIRCUIT

Diagnosis Procedure

INFOID:000000006888774

1. CHECK HARNESS CONTINUITY (OPEN CIRCUIT)

1. Turn the ignition switch OFF.
2. Disconnect the battery cable from the negative terminal.
3. Disconnect the following harness connectors.
 - ECM
 - Low tire pressure warning control unit
 - A/C auto amp.
4. Check the continuity between the low tire pressure warning control unit harness connector and the A/C auto amp. harness connector.

Low tire pressure warning control unit harness connector		A/C auto amp. harness connector		Continuity
Connector No.	Terminal No.	Connector No.	Terminal No.	
M43	2	M66	12	Existed
	1		11	Existed

Is the inspection result normal?

YES (Present error)>>Check CAN system type decision again.

YES (Past error)>>Error was detected in the main line between the low tire pressure warning control unit and the A/C auto amp.

NO >> Replace the PCB harness.

A
B
C
D
E
F
G
H
I
J
K
L

LAN

N
O
P

MAIN LINE BETWEEN HVAC AND A-BAG CIRCUIT

< DTC/CIRCUIT DIAGNOSIS >

[CAN SYSTEM (TYPE 2)]

MAIN LINE BETWEEN HVAC AND A-BAG CIRCUIT

Diagnosis Procedure

INFOID:000000006888775

1. CHECK HARNESS CONTINUITY (OPEN CIRCUIT)

1. Turn the ignition switch OFF.
2. Disconnect the battery cable from the negative terminal.
3. Disconnect the following harness connectors.
 - ECM
 - A/C auto amp.
 - AV control unit
4. Check the continuity between the A/C auto amp. harness connector and the AV control unit harness connector.
 - Models with navigation system

A/C auto amp. harness connector		AV control unit harness connector		Continuity
Connector No.	Terminal No.	Connector No.	Terminal No.	
M66	12	M210	90	Existed
	11		74	Existed

- Models without navigation system

A/C auto amp. harness connector		AV control unit harness connector		Continuity
Connector No.	Terminal No.	Connector No.	Terminal No.	
M66	12	M84	81	Existed
	11		80	Existed

Is the inspection result normal?

YES (Present error)>>Check CAN system type decision again.

YES (Past error)>>Error was detected in the main line between the A/C auto amp. and the air bag diagnosis sensor unit.

NO >> Replace the PCB harness.

MAIN LINE BETWEEN A-BAG AND AV CIRCUIT

< DTC/CIRCUIT DIAGNOSIS >

[CAN SYSTEM (TYPE 2)]

MAIN LINE BETWEEN A-BAG AND AV CIRCUIT

Diagnosis Procedure

INFOID:000000006888776

1. CHECK HARNESS CONTINUITY (OPEN CIRCUIT)

1. Turn the ignition switch OFF.
2. Disconnect the battery cable from the negative terminal.
3. Disconnect the following harness connectors.
 - ECM
 - A/C auto amp.
 - AV control unit
4. Check the continuity between the A/C auto amp. harness connector and the AV control unit harness connector.
 - Models with navigation system

A/C auto amp. harness connector		AV control unit harness connector		Continuity
Connector No.	Terminal No.	Connector No.	Terminal No.	
M66	12	M210	90	Existed
	11		74	Existed

- Models without navigation system

A/C auto amp. harness connector		AV control unit harness connector		Continuity
Connector No.	Terminal No.	Connector No.	Terminal No.	
M66	12	M84	81	Existed
	11		80	Existed

Is the inspection result normal?

YES (Present error)>>Check CAN system type decision again.

YES (Past error)>>Error was detected in the main line between the air bag diagnosis sensor unit and the AV control unit.

NO >> Replace the PCB harness.

A
B
C
D
E
F
G
H
I
J
K
L

LAN

N
O
P

MAIN LINE BETWEEN AV AND M&A CIRCUIT

< DTC/CIRCUIT DIAGNOSIS >

[CAN SYSTEM (TYPE 2)]

MAIN LINE BETWEEN AV AND M&A CIRCUIT

Diagnosis Procedure

INFOID:000000006888777

1. CHECK HARNESS CONTINUITY (OPEN CIRCUIT)

1. Turn the ignition switch OFF.
2. Disconnect the battery cable from the negative terminal.
3. Disconnect the following harness connectors.
 - ECM
 - AV control unit
 - Combination meter
4. Check the continuity between the AV control unit harness connector and the combination meter harness connector.
 - Models with navigation system

AV control unit harness connector		Combination meter harness connector		Continuity
Connector No.	Terminal No.	Connector No.	Terminal No.	
M210	90	M53	14	Existed
	74		15	Existed

- Models without navigation system

AV control unit harness connector		Combination meter harness connector		Continuity
Connector No.	Terminal No.	Connector No.	Terminal No.	
M84	81	M53	14	Existed
	80		15	Existed

Is the inspection result normal?

YES (Present error)>>Check CAN system type decision again.

YES (Past error)>>Error was detected in the main line between the AV control unit and the combination meter.

NO >> Replace the PCB harness.

MAIN LINE BETWEEN M&A AND DLC CIRCUIT

< DTC/CIRCUIT DIAGNOSIS >

[CAN SYSTEM (TYPE 2)]

MAIN LINE BETWEEN M&A AND DLC CIRCUIT

Diagnosis Procedure

INFOID:00000000688778

1. CHECK HARNESS CONTINUITY (OPEN CIRCUIT)

1. Turn the ignition switch OFF.
2. Disconnect the battery cable from the negative terminal.
3. Disconnect the following harness connectors.
 - ECM
 - Combination meter
 - Harness connectors M105 and M181
4. Check the continuity between the combination meter harness connector and the harness connector.

Combination meter harness connector		Harness connector		Continuity
Connector No.	Terminal No.	Connector No.	Terminal No.	
M53	14	M105	7	Existed
	15		8	Existed

Is the inspection result normal?

YES (Present error)>>Check CAN system type decision again.

YES (Past error)>>Error was detected in the main line between the combination meter and the data link connector.

NO >> Replace the PCB harness.

A
B
C
D
E
F
G
H
I
J
K
L

LAN

N
O
P

MAIN LINE BETWEEN DLC AND BCM CIRCUIT

< DTC/CIRCUIT DIAGNOSIS >

[CAN SYSTEM (TYPE 2)]

MAIN LINE BETWEEN DLC AND BCM CIRCUIT

Diagnosis Procedure

INFOID:000000006888779

1. CHECK HARNESS CONTINUITY (OPEN CIRCUIT)

1. Turn the ignition switch OFF.
2. Disconnect the battery cable from the negative terminal.
3. Disconnect the following harness connectors.
 - ECM
 - Harness connectors M181 and M105
 - BCM
4. Check the continuity between the harness connector and the BCM harness connector.

Harness connector		BCM harness connector		Continuity
Connector No.	Terminal No.	Connector No.	Terminal No.	
M105	7	M120	39	Existed
	8		40	Existed

Is the inspection result normal?

YES (Present error)>>Check CAN system type decision again.

YES (Past error)>>Error was detected in the main line between the data link connector and the BCM.

NO >> Replace the PCB harness.

MAIN LINE BETWEEN BCM AND RAS CIRCUIT

< DTC/CIRCUIT DIAGNOSIS >

[CAN SYSTEM (TYPE 2)]

MAIN LINE BETWEEN BCM AND RAS CIRCUIT

Diagnosis Procedure

INFOID:00000000688780

1. CHECK CONNECTOR

1. Turn the ignition switch OFF.
2. Disconnect the battery cable from the negative terminal.
3. Check the following terminals and connectors for damage, bend and loose connection (connector side and harness side).
 - Harness connector M20 and PCB harness side connector
 - Harness connector M7
 - Harness connector B1

Is the inspection result normal?

- YES >> GO TO 2.
NO >> Repair the terminal and connector.

2. CHECK HARNESS CONTINUITY (OPEN CIRCUIT)

1. Disconnect the following harness connectors.
 - BCM
 - Harness connector M20
2. Check the continuity between the BCM harness connector and the PCB harness connector.

BCM harness connector		PCB harness connector		Continuity
Connector No.	Terminal No.	Terminal No.		
M120	39	35		Existed
	40	36		Existed

Is the inspection result normal?

- YES >> GO TO 3.
NO >> Replace the PCB harness.

3. CHECK HARNESS CONTINUITY (OPEN CIRCUIT)

1. Disconnect the harness connectors M7 and B1.
2. Check the continuity between the harness connectors.

Harness connector		Harness connector		Continuity
Connector No.	Terminal No.	Connector No.	Terminal No.	
M20	35	M7	72	Existed
	36		73	Existed

Is the inspection result normal?

- YES >> GO TO 4.
NO >> Repair the main line between the harness connectors M20 and M7.

4. CHECK HARNESS CONTINUITY (OPEN CIRCUIT)

Check the continuity between the harness connector terminals.

Connector No.	Terminal No.		Continuity
B1	72	74	Existed
	73	75	Existed

Is the inspection result normal?

- YES (Present error)>>Check CAN system type decision again.
YES (Past error)>>Error was detected in the main line between the BCM and the 4WAS main control unit.
NO >> Replace the body harness.

A
B
C
D
E
F
G
H
I
J
K
L
N
O
P

LAN

MAIN LINE BETWEEN RAS AND ABS CIRCUIT

< DTC/CIRCUIT DIAGNOSIS >

[CAN SYSTEM (TYPE 2)]

MAIN LINE BETWEEN RAS AND ABS CIRCUIT

Diagnosis Procedure

INFOID:000000006888781

1. CHECK CONNECTOR

1. Turn the ignition switch OFF.
2. Disconnect the battery cable from the negative terminal.
3. Check the following terminals and connectors for damage, bend and loose connection (connector side and harness side).
 - Harness connector B1
 - Harness connector M7
 - Harness connector M6
 - Harness connector E106

Is the inspection result normal?

YES >> GO TO 2.

NO >> Repair the terminal and connector.

2. CHECK HARNESS CONTINUITY (OPEN CIRCUIT)

1. Disconnect the harness connectors B1 and M7.
2. Check the continuity between the harness connector terminals.

Connector No.	Terminal No.		Continuity
B1	72	74	Existed
	73	75	Existed

Is the inspection result normal?

YES >> GO TO 3.

NO >> Replace the body harness.

3. CHECK HARNESS CONTINUITY (OPEN CIRCUIT)

1. Disconnect the harness connectors M6 and E106.
2. Check the continuity between the harness connectors.

Harness connector		Harness connector		Continuity
Connector No.	Terminal No.	Connector No.	Terminal No.	
M7	74	M6	22	Existed
	75		23	Existed

Is the inspection result normal?

YES >> GO TO 4.

NO >> Repair the main line between the harness connectors M7 and M6.

4. CHECK HARNESS CONTINUITY (OPEN CIRCUIT)

1. Disconnect the connector of ABS actuator and electric unit (control unit).
2. Check the continuity between the harness connector and the ABS actuator and electric unit (control unit) harness connector.

Harness connector		ABS actuator and electric unit (control unit) harness connector		Continuity
Connector No.	Terminal No.	Connector No.	Terminal No.	
E106	22	E41	25	Existed
	23		15	Existed

Is the inspection result normal?

YES (Present error)>>Check CAN system type decision again.

YES (Past error)>>Error was detected in the main line between the 4WAS main control unit and the ABS actuator and electric unit (control unit).

MAIN LINE BETWEEN RAS AND ABS CIRCUIT

< DTC/CIRCUIT DIAGNOSIS >

[CAN SYSTEM (TYPE 2)]

NO >> Repair the main line between the harness connector E106 and the ABS actuator and electric unit (control unit).

A

B

C

D

E

F

G

H

I

J

K

L

LAN

N

O

P

ECM BRANCH LINE CIRCUIT

< DTC/CIRCUIT DIAGNOSIS >

[CAN SYSTEM (TYPE 2)]

ECM BRANCH LINE CIRCUIT

Diagnosis Procedure

INFOID:000000007217825

1. CHECK CONNECTOR

1. Turn the ignition switch OFF.
2. Disconnect the battery cable from the negative terminal.
3. Check the following terminals and connectors for damage, bend and loose connection (unit side and connector side).
 - ECM
 - Harness connector M30 and PCB harness side connector

Is the inspection result normal?

YES >> GO TO 2.

NO >> Repair the terminal and connector.

2. CHECK HARNESS FOR OPEN CIRCUIT

1. Disconnect the connector of ECM.
2. Check the resistance between the ECM harness connector terminals.
 - VQ37VHR

ECM harness connector			Resistance (Ω)
Connector No.	Terminal No.		
M107	114	113	Approx. 108 – 132

- VK56VD

ECM harness connector			Resistance (Ω)
Connector No.	Terminal No.		
M160	146	151	Approx. 108 – 132

Is the measurement value within the specification?

YES >> GO TO 3.

NO >> GO TO 4.

3. CHECK POWER SUPPLY AND GROUND CIRCUIT

Check the power supply and the ground circuit of the ECM. Refer to the following.

- VQ37VHR for USA and Canada: [EC-180, "Diagnosis Procedure"](#)
- VQ37VHR for Mexico: [EC-682, "Diagnosis Procedure"](#)
- VK56VD for USA and Canada: [EC-1149, "Diagnosis Procedure"](#)
- VK56VD for Mexico: [EC-1707, "Diagnosis Procedure"](#)

Is the inspection result normal?

YES (Present error)>>Replace the ECM. Refer to the following.

- VQ37VHR for USA and Canada: [EC-543, "Removal and Installation"](#)
- VQ37VHR for Mexico: [EC-980, "Removal and Installation"](#)
- VK56VD for USA and Canada: [EC-1553, "Removal and Installation"](#)
- VK56VD for Mexico: [EC-2013, "Removal and Installation"](#)

YES (Past error)>>Error was detected in the ECM branch line.

NO >> Repair the power supply and the ground circuit.

4. CHECK HARNESS CONTINUITY (OPEN CIRCUIT)

1. Disconnect the harness connector M30.
2. Check the continuity between the ECM harness connector and the harness connector.
 - VQ37VHR

ECM harness connector		Harness connector		Continuity
Connector No.	Terminal No.	Connector No.	Terminal No.	

ECM BRANCH LINE CIRCUIT

< DTC/CIRCUIT DIAGNOSIS >

[CAN SYSTEM (TYPE 2)]

M107	114	M30	439	Existed
	113		438	Existed

A

- VK56VD

B

ECM harness connector		Harness connector		Continuity
Connector No.	Terminal No.	Connector No.	Terminal No.	
M160	146	M30	439	Existed
	151		438	Existed

C

Is the inspection result normal?

D

YES >> Replace the PCB harness.

NO (VQ37VHR)>>Repair the harness between the ECM harness connector M107 and the harness connector M30.

NO (VK56VD)>>Repair the harness between the ECM harness connector M160 and the harness connector M30.

E

F

G

H

I

J

K

L

LAN

N

O

P

TPMS BRANCH LINE CIRCUIT

< DTC/CIRCUIT DIAGNOSIS >

[CAN SYSTEM (TYPE 2)]

TPMS BRANCH LINE CIRCUIT

Diagnosis Procedure

INFOID:000000007217826

1. CHECK CONNECTOR

1. Turn the ignition switch OFF.
2. Disconnect the battery cable from the negative terminal.
3. Check the following terminals and connectors for damage, bend and loose connection (unit side and connector side).
 - Low tire pressure warning control unit
 - Harness connector M29 and PCB harness side connector

Is the inspection result normal?

YES >> GO TO 2.

NO >> Repair the terminal and connector.

2. CHECK HARNESS FOR OPEN CIRCUIT

1. Disconnect the connector of low tire pressure warning control unit.
2. Check the resistance between the low tire pressure warning control unit harness connector terminals.

Low tire pressure warning control unit harness connector			Resistance (Ω)
Connector No.	Terminal No.		
M43	2	1	Approx. 54 – 66

Is the measurement value within the specification?

YES >> GO TO 3.

NO >> GO TO 4.

3. CHECK POWER SUPPLY AND GROUND CIRCUIT

Check the power supply and the ground circuit of the low tire pressure warning control unit. Refer to [WT-43. "Diagnosis Procedure"](#).

Is the inspection result normal?

YES (Present error)>>Replace the low tire pressure warning control unit. Refer to [WT-58. "Removal and Installation"](#).

YES (Past error)>>Error was detected in the low tire pressure warning control unit branch line.

NO >> Repair the power supply and the ground circuit.

4. CHECK HARNESS CONTINUITY (OPEN CIRCUIT)

1. Disconnect the harness connector M29.
2. Check the continuity between the low tire pressure warning control unit harness connector and the harness connector.

Low tire pressure warning control unit harness connector		Harness connector		Continuity
Connector No.	Terminal No.	Connector No.	Terminal No.	
M43	2	M29	396	Existed
	1		395	Existed

Is the inspection result normal?

YES >> Replace the PCB harness.

NO >> Repair the harness between the low tire pressure warning control unit harness connector M43 and the harness connector M29.

HVAC BRANCH LINE CIRCUIT

< DTC/CIRCUIT DIAGNOSIS >

[CAN SYSTEM (TYPE 2)]

HVAC BRANCH LINE CIRCUIT

Diagnosis Procedure

INFOID:000000006888784

1. CHECK CONNECTOR

1. Turn the ignition switch OFF.
2. Disconnect the battery cable from the negative terminal.
3. Check the following terminals and connectors for damage, bend and loose connection (unit side and connector side).
 - A/C auto amp.
 - Harness connector M28 and PCB harness side connector

Is the inspection result normal?

- YES >> GO TO 2.
NO >> Repair the terminal and connector.

2. CHECK HARNESS FOR OPEN CIRCUIT

1. Disconnect the connector of A/C auto amp.
2. Check the resistance between the A/C auto amp. harness connector terminals.

A/C auto amp. harness connector			Resistance (Ω)
Connector No.	Terminal No.		
M66	12	11	Approx. 54 – 66

Is the measurement value within the specification?

- YES >> GO TO 3.
NO >> GO TO 4.

3. CHECK POWER SUPPLY AND GROUND CIRCUIT

Check the power supply and the ground circuit of the A/C auto amp. Refer to [HAC-156. "A/C AUTO AMP. : Diagnosis Procedure"](#).

Is the inspection result normal?

- YES (Present error)>>Replace the A/C auto amp. Refer to [HAC-190. "Removal and Installation"](#).
YES (Past error)>>Error was detected in the A/C auto amp. branch line.
NO >> Repair the power supply and the ground circuit.

4. CHECK HARNESS CONTINUITY (OPEN CIRCUIT)

1. Disconnect the harness connector M28.
2. Check the continuity between the A/C auto amp. harness connector and the harness connector.

A/C auto amp. harness connector		Harness connector		Continuity
Connector No.	Terminal No.	Connector No.	Terminal No.	
M66	12	M28	325	Existed
	11		327	Existed

Is the inspection result normal?

- YES >> Replace the PCB harness.
NO >> Repair the harness between the A/C auto amp. harness connector M66 and the harness connector M28.

A
B
C
D
E
F
G
H
I
J
K
L
N
O
P

LAN

TCM BRANCH LINE CIRCUIT

< DTC/CIRCUIT DIAGNOSIS >

[CAN SYSTEM (TYPE 2)]

TCM BRANCH LINE CIRCUIT

Diagnosis Procedure

INFOID:000000007205526

1. CHECK CONNECTOR

1. Turn the ignition switch OFF.
2. Disconnect the battery cable from the negative terminal.
3. Check the following terminals and connectors for damage, bend and loose connection (unit side and connector side).
 - A/T assembly
 - Harness connector F103
 - Harness connector M116
 - Harness connector M28 and PCB harness side connector

Is the inspection result normal?

YES >> GO TO 2.

NO >> Repair the terminal and connector.

2. CHECK HARNESS FOR OPEN CIRCUIT

1. Disconnect the connector of A/T assembly.
2. Check the resistance between the A/T assembly harness connector terminals.

A/T assembly harness connector		Resistance (Ω)
Connector No.	Terminal No.	
F61	3 8	Approx. 54 – 66

Is the measurement value within the specification?

YES >> GO TO 3.

NO >> GO TO 5.

3. CHECK HARNESS FOR OPEN CIRCUIT

1. Remove the joint connector. Refer to [TM-181, "Exploded View"](#).
2. Check the continuity between the A/T assembly harness connector side and the TCM harness connector side of the joint connector.

A/T assembly harness connector side	TCM harness connector side	Continuity
Terminal No.	Terminal No.	
3	3	Existed
8	8	Existed

Is the inspection result normal?

YES >> GO TO 4.

NO >> Replace the joint connector.

4. CHECK POWER SUPPLY AND GROUND CIRCUIT

Check the power supply and the ground circuit of the TCM. Refer to [TM-150, "Diagnosis Procedure"](#).

Is the inspection result normal?

YES (Present error)>>Replace the control valve & TCM. Refer to [TM-181, "Exploded View"](#).

YES (Past error)>>Error was detected in the TCM branch line.

NO >> Repair the power supply and the ground circuit.

5. CHECK HARNESS CONTINUITY (OPEN CIRCUIT)

1. Disconnect the harness connector M28.
2. Check the continuity between the A/T assembly harness connector and the harness connector.

TCM BRANCH LINE CIRCUIT

< DTC/CIRCUIT DIAGNOSIS >

[CAN SYSTEM (TYPE 2)]

A/T assembly harness connector		Harness connector		Continuity
Connector No.	Terminal No.	Connector No.	Terminal No.	
F61	3	M28	346	Existed
	8		347	Existed

Is the inspection result normal?

YES >> Replace the PCB harness.

NO >> Repair the harness between the A/T assembly harness connector F61 and the harness connector M28.

A
B
C
D
E
F
G
H
I
J
K
L

LAN

N
O
P

A-BAG BRANCH LINE CIRCUIT

Diagnosis Procedure

INFOID:000000006888786

WARNING:

- Before servicing, turn ignition switch OFF, disconnect battery negative terminal, and wait 3 minutes or more. (To discharge backup capacitor.)
- Never use unspecified tester or other measuring device.

1. CHECK CONNECTOR

1. Turn the ignition switch OFF.
2. Disconnect the battery cable from the negative terminal.
3. Check the following terminals and connectors for damage, bend and loose connection (unit side and connector side).
 - Air bag diagnosis sensor unit
 - Harness connector M26 and PCB harness side connector

Is the inspection result normal?

- YES >> GO TO 2.
NO >> Replace the main harness and/or the PCB harness.

2. CHECK AIR BAG DIAGNOSIS SENSOR UNIT

Check the air bag diagnosis sensor unit. Refer to [SRC-24. "Work Flow"](#).

Is the inspection result normal?

- YES >> Replace the main harness and/or the PCB harness.
NO >> Replace parts whose air bag system has a malfunction.

AV BRANCH LINE CIRCUIT

< DTC/CIRCUIT DIAGNOSIS >

[CAN SYSTEM (TYPE 2)]

AV BRANCH LINE CIRCUIT

Diagnosis Procedure

INFOID:00000000688787

1. CHECK CONNECTOR

1. Turn the ignition switch OFF.
2. Disconnect the battery cable from the negative terminal.
3. Check the following terminals and connectors for damage, bend and loose connection (unit side and connector side).
 - AV control unit
 - Harness connector M25 and PCB harness side connector

Is the inspection result normal?

YES >> GO TO 2.

NO >> Repair the terminal and connector.

2. CHECK HARNESS FOR OPEN CIRCUIT

1. Disconnect the connector of AV control unit.
2. Check the resistance between the AV control unit harness connector terminals.
 - Models with navigation system

AV control unit harness connector			Resistance (Ω)
Connector No.	Terminal No.		
M210	90	74	Approx. 54 – 66

- Models without navigation system

AV control unit harness connector			Resistance (Ω)
Connector No.	Terminal No.		
M84	81	80	Approx. 54 – 66

Is the measurement value within the specification?

YES >> GO TO 3.

NO >> GO TO 4.

3. CHECK POWER SUPPLY AND GROUND CIRCUIT

Check the power supply and the ground circuit of the AV control unit. Refer to the following.

- Base audio without navigation system: [AV-72, "AV CONTROL UNIT : Diagnosis Procedure"](#)
- BOSE audio with navigation system: [AV-236, "AV CONTROL UNIT : Diagnosis Procedure"](#)

Is the inspection result normal?

YES (Present error)>>Replace the AV control unit. Refer to the following.

- Base audio without navigation system: [AV-103, "Removal and Installation"](#)
- BOSE audio with navigation system: [AV-263, "Removal and Installation"](#)

YES (Past error)>>Error was detected in the AV control unit branch line.

NO >> Repair the power supply and the ground circuit.

4. CHECK HARNESS CONTINUITY (OPEN CIRCUIT)

1. Disconnect the harness connector M25.
2. Check the continuity between the AV control unit harness connector and the harness connector.
 - Models with navigation system

AV control unit harness connector		Harness connector		Continuity
Connector No.	Terminal No.	Connector No.	Terminal No.	
M210	90	M25	201	Existed
	74		221	Existed

- Models without navigation system

AV BRANCH LINE CIRCUIT

< DTC/CIRCUIT DIAGNOSIS >

[CAN SYSTEM (TYPE 2)]

AV control unit harness connector		Harness connector		Continuity
Connector No.	Terminal No.	Connector No.	Terminal No.	
M84	81	M25	201	Existed
	80		221	Existed

Is the inspection result normal?

YES >> Replace the PCB harness.

NO (With navigation system)>>Repair the harness between the AV control unit harness connector M210 and the harness connector M25.

NO (Without navigation system)>>Repair the harness between the AV control unit harness connector M84 and the harness connector M25.

M&A BRANCH LINE CIRCUIT

< DTC/CIRCUIT DIAGNOSIS >

[CAN SYSTEM (TYPE 2)]

M&A BRANCH LINE CIRCUIT

Diagnosis Procedure

INFOID:00000000688788

1.CHECK CONNECTOR

1. Turn the ignition switch OFF.
2. Disconnect the battery cable from the negative terminal.
3. Check the following terminals and connectors for damage, bend and loose connection (unit side and connector side).
 - Combination meter
 - Harness connector M24 and PCB harness side connector

Is the inspection result normal?

YES >> GO TO 2.

NO >> Repair the terminal and connector.

2.CHECK HARNESS FOR OPEN CIRCUIT

1. Disconnect the connector of combination meter.
2. Check the resistance between the combination meter harness connector terminals.

Combination meter harness connector			Resistance (Ω)
Connector No.	Terminal No.		
M53	14	15	Approx. 54 – 66

Is the measurement value within the specification?

YES >> GO TO 3.

NO >> GO TO 4.

3.CHECK POWER SUPPLY AND GROUND CIRCUIT

Check the power supply and the ground circuit of the combination meter Refer to [MWI-59. "COMBINATION METER : Diagnosis Procedure"](#).

Is the inspection result normal?

YES (Present error)>>Replace the combination meter. Refer to [MWI-79. "Removal and Installation"](#).

YES (Past error)>>Error was detected in the combination meter branch line.

NO >> Repair the power supply and the ground circuit.

4.CHECK HARNESS CONTINUITY (OPEN CIRCUIT)

1. Disconnect the harness connector M24.
2. Check the continuity between the combination meter harness connector and the harness connector.

Combination meter harness connector		Harness connector		Continuity
Connector No.	Terminal No.	Connector No.	Terminal No.	
M53	14	M24	176	Existed
	15		177	Existed

Is the inspection result normal?

YES >> Replace the PCB harness.

NO >> Repair the harness between the combination meter harness connector M53 and the harness connector M24.

A
B
C
D
E
F
G
H
I
J
K
L
N
O
P

LAN

DLC BRANCH LINE CIRCUIT

< DTC/CIRCUIT DIAGNOSIS >

[CAN SYSTEM (TYPE 2)]

DLC BRANCH LINE CIRCUIT

Diagnosis Procedure

INFOID:000000007205527

1. CHECK CONNECTOR

1. Turn the ignition switch OFF.
2. Disconnect the battery cable from the negative terminal.
3. Check the following terminals and connectors for damage, bend and loose connection (unit side and connector side).
 - Data link connector
 - Harness connector M181
 - Harness connector M105
 - Harness connector M23 and PCB harness side connector

Is the inspection result normal?

YES >> GO TO 2.

NO >> Repair the terminal and connector.

2. CHECK HARNESS FOR OPEN CIRCUIT

Check the resistance between the data link connector terminals.

Data link connector			Resistance (Ω)
Connector No.	Terminal No.		
M182	6	14	Approx. 54 – 66

Is the measurement value within the specification?

YES (Present error)>>Check CAN system type decision again.

YES (Past error)>>Error was detected in the data link connector branch line circuit.

NO >> GO TO 3.

3. CHECK HARNESS CONTINUITY (OPEN CIRCUIT)

1. Disconnect the harness connector M23.
2. Check the continuity between the data link connector and the harness connector.

Data link connector		Harness connector		Continuity
Connector No.	Terminal No.	Connector No.	Terminal No.	
M182	6	M23	151	Existed
	14		150	Existed

Is the inspection result normal?

YES >> Replace the PCB harness.

NO >> Repair the harness between the data link connector M182 and the harness connector M23.

BCM BRANCH LINE CIRCUIT

< DTC/CIRCUIT DIAGNOSIS >

[CAN SYSTEM (TYPE 2)]

BCM BRANCH LINE CIRCUIT

Diagnosis Procedure

INFOID:000000006888790

1. CHECK CONNECTOR

1. Turn the ignition switch OFF.
2. Disconnect the battery cable from the negative terminal.
3. Check the following terminals and connectors for damage, bend and loose connection (unit side and connector side).
 - BCM
 - Harness connector M22 and PCB harness side connector

Is the inspection result normal?

- YES >> GO TO 2.
 NO >> Repair the terminal and connector.

2. CHECK HARNESS FOR OPEN CIRCUIT

1. Disconnect the connector of BCM.
2. Check the resistance between the BCM harness connector terminals.

BCM harness connector			Resistance (Ω)
Connector No.	Terminal No.		
M120	39	40	Approx. 54 – 66

Is the measurement value within the specification?

- YES >> GO TO 3.
 NO >> GO TO 4.

3. CHECK POWER SUPPLY AND GROUND CIRCUIT

Check the power supply and the ground circuit of the BCM. Refer to [BCS-75. "Diagnosis Procedure"](#).

Is the inspection result normal?

- YES (Present error)>>Replace the BCM. Refer to [BCS-82. "Removal and Installation"](#).
 YES (Past error)>>Error was detected in the BCM branch line.
 NO >> Repair the power supply and the ground circuit.

4. CHECK HARNESS CONTINUITY (OPEN CIRCUIT)

1. Disconnect the harness connector M22.
2. Check the continuity between the BCM harness connector and the harness connector.

BCM harness connector		Harness connector		Continuity
Connector No.	Terminal No.	Connector No.	Terminal No.	
M120	39	M22	101	Existed
	40		102	Existed

Is the inspection result normal?

- YES >> Replace the PCB harness.
 NO >> Repair the harness between the BCM harness connector M120 and the harness connector M22.

A
B
C
D
E
F
G
H
I
J
K
L
N
O
P

LAN

STRG BRANCH LINE CIRCUIT

< DTC/CIRCUIT DIAGNOSIS >

[CAN SYSTEM (TYPE 2)]

STRG BRANCH LINE CIRCUIT

Diagnosis Procedure

INFOID:00000000688791

1.CHECK CONNECTOR

1. Turn the ignition switch OFF.
2. Disconnect the battery cable from the negative terminal.
3. Check the following terminals and connectors for damage, bend and loose connection (unit side and connector side).
 - Steering angle sensor
 - Harness connector M22 and PCB harness side connector

Is the inspection result normal?

YES >> GO TO 2.

NO >> Repair the terminal and connector.

2.CHECK HARNESS FOR OPEN CIRCUIT

1. Disconnect the connector of steering angle sensor.
2. Check the resistance between the steering angle sensor harness connector terminals.

Steering angle sensor harness connector			Resistance (Ω)
Connector No.	Terminal No.		
M37	1	2	Approx. 54 – 66

Is the measurement value within the specification?

YES >> GO TO 3.

NO >> GO TO 4.

3.CHECK POWER SUPPLY AND GROUND CIRCUIT

Check the power supply and the ground circuit of the steering angle sensor. Refer to [BRC-53. "Wiring Diagram"](#).

Is the inspection result normal?

YES (Present error)>>Replace the steering angle sensor. Refer to [BRC-144. "Removal and Installation"](#).

YES (Past error)>>Error was detected in the steering angle sensor branch line.

NO >> Repair the power supply and the ground circuit.

4.CHECK HARNESS CONTINUITY (OPEN CIRCUIT)

1. Disconnect the harness connector M22.
2. Check the continuity between the steering angle sensor harness connector and the harness connector.

Steering angle sensor harness connector		Harness connector		Continuity
Connector No.	Terminal No.	Connector No.	Terminal No.	
M37	1	M22	81	Existed
	2		82	Existed

Is the inspection result normal?

YES >> Replace the PCB harness.

NO >> Repair the harness between the steering angle sensor harness connector M37 and the harness connector M22.

RAS BRANCH LINE CIRCUIT

< DTC/CIRCUIT DIAGNOSIS >

[CAN SYSTEM (TYPE 2)]

RAS BRANCH LINE CIRCUIT

Diagnosis Procedure

INFOID:00000000688792

1. CHECK CONNECTOR

1. Turn the ignition switch OFF.
2. Disconnect the battery cable from the negative terminal.
3. Check the terminals and connectors of the 4WAS main control unit for damage, bend and loose connection (unit side and connector side).

Is the inspection result normal?

- YES >> GO TO 2.
NO >> Repair the terminal and connector.

2. CHECK HARNESS FOR OPEN CIRCUIT

1. Disconnect the connector of 4WAS main control unit.
2. Check the resistance between the 4WAS main control unit harness connector terminals.

4WAS main control unit harness connector			Resistance (Ω)
Connector No.	Terminal No.		
B54	1	8	Approx. 54 – 66

Is the measurement value within the specification?

- YES >> GO TO 3.
NO >> Replace the body harness.

3. CHECK POWER SUPPLY AND GROUND CIRCUIT

Check the power supply and the ground circuit of the 4WAS main control unit. Refer to [STC-160, "Diagnosis Procedure \(4WAS Main Control Unit\)"](#).

Is the inspection result normal?

- YES (Present error)>>Replace the 4WAS main control unit. Refer to [STC-174, "Removal and Installation"](#).
YES (Past error)>>Error was detected in the 4WAS main control unit branch line.
NO >> Repair the power supply and the ground circuit.

A
B
C
D
E
F
G
H
I
J
K
L

LAN

N
O
P

ABS BRANCH LINE CIRCUIT

< DTC/CIRCUIT DIAGNOSIS >

[CAN SYSTEM (TYPE 2)]

ABS BRANCH LINE CIRCUIT

Diagnosis Procedure

INFOID:000000006888793

1. CHECK CONNECTOR

1. Turn the ignition switch OFF.
2. Disconnect the battery cable from the negative terminal.
3. Check the terminals and connectors of the ABS actuator and electric unit (control unit) for damage, bend and loose connection (unit side and connector side).

Is the inspection result normal?

- YES >> GO TO 2.
NO >> Repair the terminal and connector.

2. CHECK HARNESS FOR OPEN CIRCUIT

1. Disconnect the connector of ABS actuator and electric unit (control unit).
2. Check the resistance between the ABS actuator and electric unit (control unit) harness connector terminals.

ABS actuator and electric unit (control unit) harness connector			Resistance (Ω)
Connector No.	Terminal No.		
E41	25	15	Approx. 54 – 66

Is the measurement value within the specification?

- YES >> GO TO 3.
NO >> Repair the ABS actuator and electric unit (control unit) branch line.

3. CHECK POWER SUPPLY AND GROUND CIRCUIT

Check the power supply and the ground circuit of the ABS actuator and electric unit (control unit). Refer to [BRC-119. "Diagnosis Procedure"](#).

Is the inspection result normal?

- YES (Present error)>>Replace the ABS actuator and electric unit (control unit). Refer to [BRC-141. "Removal and Installation"](#).
YES (Past error)>>Error was detected in the ABS actuator and electric unit (control unit) branch line.
NO >> Repair the power supply and the ground circuit.

IPDM-E BRANCH LINE CIRCUIT

< DTC/CIRCUIT DIAGNOSIS >

[CAN SYSTEM (TYPE 2)]

IPDM-E BRANCH LINE CIRCUIT

Diagnosis Procedure

INFOID:000000006888794

1. CHECK CONNECTOR

1. Turn the ignition switch OFF.
2. Disconnect the battery cable from the negative terminal.
3. Check the terminals and connectors of the IPDM E/R for damage, bend and loose connection (unit side and connector side).

Is the inspection result normal?

- YES >> GO TO 2.
NO >> Repair the terminal and connector.

2. CHECK HARNESS FOR OPEN CIRCUIT

1. Disconnect the connector of IPDM E/R.
2. Check the resistance between the IPDM E/R harness connector terminals.

IPDM E/R harness connector			Resistance (Ω)
Connector No.	Terminal No.		
E6	40	39	Approx. 108 – 132

Is the measurement value within the specification?

- YES >> GO TO 3.
NO >> Repair the IPDM E/R branch line.

3. CHECK POWER SUPPLY AND GROUND CIRCUIT

Check the power supply and the ground circuit of the IPDM E/R. Refer to [PCS-32, "Diagnosis Procedure"](#).

Is the inspection result normal?

- YES (Present error)>>Replace the IPDM E/R. Refer to [PCS-33, "Removal and Installation"](#).
YES (Past error)>>Error was detected in the IPDM E/R branch line.
NO >> Repair the power supply and the ground circuit.

A
B
C
D
E
F
G
H
I
J
K
L

LAN

N
O
P

ADP BRANCH LINE CIRCUIT

< DTC/CIRCUIT DIAGNOSIS >

[CAN SYSTEM (TYPE 2)]

ADP BRANCH LINE CIRCUIT

Diagnosis Procedure

INFOID:000000007205528

1. CHECK CONNECTOR

1. Turn the ignition switch OFF.
2. Disconnect the battery cable from the negative terminal.
3. Check the following terminals and connectors for damage, bend and loose connection (unit side and connector side).
 - Driver seat control unit
 - Harness connector B501
 - Harness connector B11
 - CAN gateway (With ICC system)

Is the inspection result normal?

YES (With ICC system)>>GO TO 2.

YES (Without ICC system)>>GO TO 3.

NO >> Repair the terminal and connector.

2. CHECK HARNESS CONTINUITY (OPEN CIRCUIT)

1. Disconnect the connector of CAN gateway.
2. Check the continuity between the CAN gateway harness connector terminals.

CAN gateway harness connector			Continuity
Connector No.	Terminal No.		
M125	4	6	Existed
	10	12	Existed

Is the inspection result normal?

YES >> GO TO 3.

NO >> Check the harness and repair or replace (if shield line is open) the root cause (CAN communication circuit 2 side). Refer to [LAN-47, "System Diagram"](#).

3. CHECK HARNESS FOR OPEN CIRCUIT

1. Connect the connector of CAN gateway. (With ICC system)
2. Disconnect the connector of driver seat control unit.
3. Check the resistance between the driver seat control unit harness connector terminals.

Driver seat control unit harness connector			Resistance (Ω)
Connector No.	Terminal No.		
B514	23	24	Approx. 54 – 66

Is the measurement value within the specification?

YES >> GO TO 4.

NO >> Repair the driver seat control unit branch line.

4. CHECK POWER SUPPLY AND GROUND CIRCUIT

Check the power supply and the ground circuit of the driver seat control unit. Refer to [ADP-61, "DRIVER SEAT CONTROL UNIT : Diagnosis Procedure"](#).

Is the inspection result normal?

YES (Present error)>>Replace the driver seat control unit. Refer to [ADP-134, "Removal and Installation"](#).

YES (Past error)>>Error was detected in the driver seat control unit branch line.

NO >> Repair the power supply and the ground circuit.

CAN COMMUNICATION CIRCUIT

< DTC/CIRCUIT DIAGNOSIS >

[CAN SYSTEM (TYPE 2)]

CAN COMMUNICATION CIRCUIT

Diagnosis Procedure

INFOID:000000006888796

1. CONNECTOR INSPECTION

1. Turn the ignition switch OFF.
2. Disconnect the battery cable from the negative terminal.
3. Disconnect all the unit connectors on CAN communication system.
4. Check terminals and connectors for damage, bend and loose connection.

Is the inspection result normal?

- YES >> GO TO 2.
NO >> Repair the terminal and connector.

2. CHECK HARNESS CONTINUITY (SHORT CIRCUIT)

Check the continuity between the data link connector terminals.

Data link connector		Continuity
Connector No.	Terminal No.	
M182	6 14	Not existed

Is the inspection result normal?

- YES >> GO TO 3.
NO >> Check the harness and repair or replace (if shield line or PCB harness is short) the root cause.

3. CHECK HARNESS CONTINUITY (SHORT CIRCUIT)

Check the continuity between the data link connector and the ground.

Data link connector		Ground	Continuity
Connector No.	Terminal No.		
M182	6		Not existed
	14		Not existed

Is the inspection result normal?

- YES >> GO TO 4.
NO >> Check the harness and repair or replace (if shield line or PCB harness is short) the root cause.

4. CHECK ECM AND IPDM E/R TERMINATION CIRCUIT

1. Remove the ECM and the IPDM E/R.
2. Check the resistance between the ECM terminals.
 - VQ37VHR

ECM		Resistance (Ω)
Terminal No.		
114	113	Approx. 108 – 132

- VK56VD

ECM		Resistance (Ω)
Terminal No.		
146	151	Approx. 108 – 132

3. Check the resistance between the IPDM E/R terminals.

IPDM E/R		Resistance (Ω)
Terminal No.		
40	39	Approx. 108 – 132

A
B
C
D
E
F
G
H
I
J
K
L
LAN
N
O
P

CAN COMMUNICATION CIRCUIT

< DTC/CIRCUIT DIAGNOSIS >

[CAN SYSTEM (TYPE 2)]

Is the measurement value within the specification?

YES >> GO TO 5.

NO >> Replace the ECM and/or the IPDM E/R.

5.CHECK SYMPTOM

Connect all the connectors. Check if the symptoms described in the “Symptom (Results from interview with customer)” are reproduced.

Inspection result

Reproduced>>GO TO 6.

Non-reproduced>>Start the diagnosis again. Follow the trouble diagnosis procedure when past error is detected.

6.CHECK UNIT REPRODUCTION

Perform the reproduction test as per the following procedure for each unit.

1. Turn the ignition switch OFF.
2. Disconnect the battery cable from the negative terminal.
3. Disconnect one of the unit connectors of CAN communication system.

NOTE:

ECM and IPDM E/R have a termination circuit. Check other units first.

4. Connect the battery cable to the negative terminal. Check if the symptoms described in the “Symptom (Results from interview with customer)” are reproduced.

NOTE:

Although unit-related error symptoms occur, do not confuse them with other symptoms.

Inspection result

Reproduced>>Connect the connector. Check other units as per the above procedure.

Non-reproduced>>Replace the unit whose connector was disconnected.

MAIN LINE BETWEEN TPMS AND HVAC CIRCUIT

< DTC/CIRCUIT DIAGNOSIS >

[CAN SYSTEM (TYPE 3)]

DTC/CIRCUIT DIAGNOSIS

MAIN LINE BETWEEN TPMS AND HVAC CIRCUIT

Diagnosis Procedure

INFOID:000000006888797

1. CHECK HARNESS CONTINUITY (OPEN CIRCUIT)

1. Turn the ignition switch OFF.
2. Disconnect the battery cable from the negative terminal.
3. Disconnect the following harness connectors.
 - ECM
 - Low tire pressure warning control unit
 - A/C auto amp.
4. Check the continuity between the low tire pressure warning control unit harness connector and the A/C auto amp. harness connector.

Low tire pressure warning control unit harness connector		A/C auto amp. harness connector		Continuity
Connector No.	Terminal No.	Connector No.	Terminal No.	
M43	2	M66	12	Existed
	1		11	Existed

Is the inspection result normal?

YES (Present error)>>Check CAN system type decision again.

YES (Past error)>>Error was detected in the main line between the low tire pressure warning control unit and the A/C auto amp.

NO >> Replace the PCB harness.

A
B
C
D
E
F
G
H
I
J
K
L

LAN

N
O
P

MAIN LINE BETWEEN HVAC AND A-BAG CIRCUIT

< DTC/CIRCUIT DIAGNOSIS >

[CAN SYSTEM (TYPE 3)]

MAIN LINE BETWEEN HVAC AND A-BAG CIRCUIT

Diagnosis Procedure

INFOID:000000006888798

1. CHECK HARNESS CONTINUITY (OPEN CIRCUIT)

1. Turn the ignition switch OFF.
2. Disconnect the battery cable from the negative terminal.
3. Disconnect the following harness connectors.
 - ECM
 - A/C auto amp.
 - AV control unit
4. Check the continuity between the A/C auto amp. harness connector and the AV control unit harness connector.
 - Models with navigation system

A/C auto amp. harness connector		AV control unit harness connector		Continuity
Connector No.	Terminal No.	Connector No.	Terminal No.	
M66	12	M210	90	Existed
	11		74	Existed

- Models without navigation system

A/C auto amp. harness connector		AV control unit harness connector		Continuity
Connector No.	Terminal No.	Connector No.	Terminal No.	
M66	12	M84	81	Existed
	11		80	Existed

Is the inspection result normal?

YES (Present error)>>Check CAN system type decision again.

YES (Past error)>>Error was detected in the main line between the A/C auto amp. and the air bag diagnosis sensor unit.

NO >> Replace the PCB harness.

MAIN LINE BETWEEN A-BAG AND AV CIRCUIT

< DTC/CIRCUIT DIAGNOSIS >

[CAN SYSTEM (TYPE 3)]

MAIN LINE BETWEEN A-BAG AND AV CIRCUIT

Diagnosis Procedure

INFOID:000000006888799

1. CHECK HARNESS CONTINUITY (OPEN CIRCUIT)

1. Turn the ignition switch OFF.
2. Disconnect the battery cable from the negative terminal.
3. Disconnect the following harness connectors.
 - ECM
 - A/C auto amp.
 - AV control unit
4. Check the continuity between the A/C auto amp. harness connector and the AV control unit harness connector.
 - Models with navigation system

A/C auto amp. harness connector		AV control unit harness connector		Continuity
Connector No.	Terminal No.	Connector No.	Terminal No.	
M66	12	M210	90	Existed
	11		74	Existed

- Models without navigation system

A/C auto amp. harness connector		AV control unit harness connector		Continuity
Connector No.	Terminal No.	Connector No.	Terminal No.	
M66	12	M84	81	Existed
	11		80	Existed

Is the inspection result normal?

YES (Present error)>>Check CAN system type decision again.

YES (Past error)>>Error was detected in the main line between the air bag diagnosis sensor unit and the AV control unit.

NO >> Replace the PCB harness.

A
B
C
D
E
F
G
H
I
J
K
L

LAN

N
O
P

MAIN LINE BETWEEN AV AND M&A CIRCUIT

< DTC/CIRCUIT DIAGNOSIS >

[CAN SYSTEM (TYPE 3)]

MAIN LINE BETWEEN AV AND M&A CIRCUIT

Diagnosis Procedure

INFOID:000000006888800

1. CHECK HARNESS CONTINUITY (OPEN CIRCUIT)

1. Turn the ignition switch OFF.
2. Disconnect the battery cable from the negative terminal.
3. Disconnect the following harness connectors.
 - ECM
 - AV control unit
 - Combination meter
4. Check the continuity between the AV control unit harness connector and the combination meter harness connector.
 - Models with navigation system

AV control unit harness connector		Combination meter harness connector		Continuity
Connector No.	Terminal No.	Connector No.	Terminal No.	
M210	90	M53	14	Existed
	74		15	Existed

- Models without navigation system

AV control unit harness connector		Combination meter harness connector		Continuity
Connector No.	Terminal No.	Connector No.	Terminal No.	
M84	81	M53	14	Existed
	80		15	Existed

Is the inspection result normal?

YES (Present error)>>Check CAN system type decision again.

YES (Past error)>>Error was detected in the main line between the AV control unit and the combination meter.

NO >> Replace the PCB harness.

MAIN LINE BETWEEN M&A AND DLC CIRCUIT

< DTC/CIRCUIT DIAGNOSIS >

[CAN SYSTEM (TYPE 3)]

MAIN LINE BETWEEN M&A AND DLC CIRCUIT

Diagnosis Procedure

INFOID:000000006888801

1. CHECK HARNESS CONTINUITY (OPEN CIRCUIT)

1. Turn the ignition switch OFF.
2. Disconnect the battery cable from the negative terminal.
3. Disconnect the following harness connectors.
 - ECM
 - Combination meter
 - Harness connectors M105 and M181
4. Check the continuity between the combination meter harness connector and the harness connector.

Combination meter harness connector		Harness connector		Continuity
Connector No.	Terminal No.	Connector No.	Terminal No.	
M53	14	M105	7	Existed
	15		8	Existed

Is the inspection result normal?

YES (Present error)>>Check CAN system type decision again.

YES (Past error)>>Error was detected in the main line between the combination meter and the data link connector.

NO >> Replace the PCB harness.

A
B
C
D
E
F
G
H
I
J
K
L

LAN

N
O
P

MAIN LINE BETWEEN DLC AND BCM CIRCUIT

< DTC/CIRCUIT DIAGNOSIS >

[CAN SYSTEM (TYPE 3)]

MAIN LINE BETWEEN DLC AND BCM CIRCUIT

Diagnosis Procedure

INFOID:00000000688802

1. CHECK HARNESS CONTINUITY (OPEN CIRCUIT)

1. Turn the ignition switch OFF.
2. Disconnect the battery cable from the negative terminal.
3. Disconnect the following harness connectors.
 - ECM
 - Harness connectors M181 and M105
 - BCM
4. Check the continuity between the harness connector and the BCM harness connector.

Harness connector		BCM harness connector		Continuity
Connector No.	Terminal No.	Connector No.	Terminal No.	
M105	7	M120	39	Existed
	8		40	Existed

Is the inspection result normal?

YES (Present error)>>Check CAN system type decision again.

YES (Past error)>>Error was detected in the main line between the data link connector and the BCM.

NO >> Replace the PCB harness.

MAIN LINE BETWEEN BCM AND ABS CIRCUIT

< DTC/CIRCUIT DIAGNOSIS >

[CAN SYSTEM (TYPE 3)]

MAIN LINE BETWEEN BCM AND ABS CIRCUIT

Diagnosis Procedure

INFOID:000000006888803

1.CHECK CONNECTOR

1. Turn the ignition switch OFF.
2. Disconnect the battery cable from the negative terminal.
3. Check the following terminals and connectors for damage, bend and loose connection (connector side and harness side).
 - Harness connector M20 and PCB harness side connector
 - Harness connector M7
 - Harness connector B1
 - Harness connector M6
 - Harness connector E106

Is the inspection result normal?

YES >> GO TO 2.

NO >> Repair the terminal and connector.

2.CHECK HARNESS CONTINUITY (OPEN CIRCUIT)

1. Disconnect the following harness connectors.
 - BCM
 - Harness connector M20
2. Check the continuity between the BCM harness connector and the PCB harness connector.

BCM harness connector		PCB harness connector		Continuity
Connector No.	Terminal No.	Terminal No.		
M120	39	35		Existed
	40	36		Existed

Is the inspection result normal?

YES >> GO TO 3.

NO >> Replace the PCB harness.

3.CHECK HARNESS CONTINUITY (OPEN CIRCUIT)

1. Disconnect the harness connectors M7 and B1.
2. Check the continuity between the harness connectors.

Harness connector		Harness connector		Continuity
Connector No.	Terminal No.	Connector No.	Terminal No.	
M20	35	M7	72	Existed
	36		73	Existed

Is the inspection result normal?

YES >> GO TO 4.

NO >> Repair the main line between the harness connectors M20 and M7.

4.CHECK HARNESS CONTINUITY (OPEN CIRCUIT)

Check the continuity between the harness connector terminals.

Connector No.	Terminal No.		Continuity
B1	72	74	Existed
	73	75	Existed

Is the inspection result normal?

YES >> GO TO 5.

NO >> Repair the main line between the harness connector terminals.

5.CHECK HARNESS CONTINUITY (OPEN CIRCUIT)

A
B
C
D
E
F
G
H
I
J
K
L
N
O
P

LAN

MAIN LINE BETWEEN BCM AND ABS CIRCUIT

< DTC/CIRCUIT DIAGNOSIS >

[CAN SYSTEM (TYPE 3)]

1. Disconnect the harness connectors M6 and E106.
2. Check the continuity between the harness connectors.

Harness connector		Harness connector		Continuity
Connector No.	Terminal No.	Connector No.	Terminal No.	
M7	74	M6	22	Existed
	75		23	Existed

Is the inspection result normal?

YES >> GO TO 6.

NO >> Repair the main line between the harness connectors M7 and M6.

6. CHECK HARNESS CONTINUITY (OPEN CIRCUIT)

1. Disconnect the connector of ABS actuator and electric unit (control unit).
2. Check the continuity between the harness connector and the ABS actuator and electric unit (control unit) harness connector.

Harness connector		ABS actuator and electric unit (control unit) harness connector		Continuity
Connector No.	Terminal No.	Connector No.	Terminal No.	
E106	22	E41	25	Existed
	23		15	Existed

Is the inspection result normal?

YES (Present error)>>Check CAN system type decision again.

YES (Past error)>>Error was detected in the main line between the BCM and the ABS actuator and electric unit (control unit).

NO >> Repair the main line between the harness connector E106 and the ABS actuator and electric unit (control unit).

MAIN LINE BETWEEN DLC AND ADP CIRCUIT

< DTC/CIRCUIT DIAGNOSIS >

[CAN SYSTEM (TYPE 3)]

MAIN LINE BETWEEN DLC AND ADP CIRCUIT

Diagnosis Procedure

INFOID:000000007205529

1.CHECK CONNECTOR

1. Turn the ignition switch OFF.
2. Disconnect the battery cable from the negative terminal.
3. Check the following terminals and connectors for damage, bend and loose connection (connector side and harness side).
 - Harness connector M20 and PCB harness side connector
 - Harness connector M7
 - Harness connector B1

Is the inspection result normal?

YES >> GO TO 2.

NO >> Repair the terminal and connector.

2.CHECK HARNESS CONTINUITY (OPEN CIRCUIT)

1. Disconnect the harness connector M20.
2. Check the continuity between the data link connector and the PCB harness connector.

Data link connector		PCB harness connector		Continuity
Connector No.	Terminal No.	Terminal No.		
M182	13	24		Existed
	12	27		Existed

Is the inspection result normal?

YES >> GO TO 3.

NO >> Replace the PCB harness.

3.CHECK HARNESS CONTINUITY (OPEN CIRCUIT)

1. Disconnect the harness connectors M7 and B1.
2. Check the continuity between the harness connectors.

Harness connector		Harness connector		Continuity
Connector No.	Terminal No.	Connector No.	Terminal No.	
M20	24	M7	34	Existed
	27		35	Existed

Is the inspection result normal?

YES >> GO TO 4.

NO >> Repair the main line between the harness connectors M20 and M7.

4.CHECK HARNESS CONTINUITY (OPEN CIRCUIT)

Check the continuity between the harness connector terminals.

Connector No.	Terminal No.		Continuity
B1	34	32	Existed
	35	33	Existed

Is the inspection result normal?

YES (Present error)>>Check CAN system type decision again.

YES (Past error)>>Error was detected in the main line between the data link connector and the driver seat control unit.

NO >> Replace the body harness.

A
B
C
D
E
F
G
H
I
J
K
L
N
O
P

LAN

MAIN LINE BETWEEN RDR-L AND RDR-R CIRCUIT

< DTC/CIRCUIT DIAGNOSIS >

[CAN SYSTEM (TYPE 3)]

MAIN LINE BETWEEN RDR-L AND RDR-R CIRCUIT

Diagnosis Procedure

INFOID:00000000688804

1.CHECK CONNECTOR

1. Turn the ignition switch OFF.
2. Disconnect the battery cable from the negative terminal.
3. Check the following terminals and connectors for damage, bend and loose connection (connector side and harness side).
 - Harness connector B33
 - Harness connector B245

Is the inspection result normal?

YES >> GO TO 2.

NO >> Repair the terminal and connector.

2.CHECK HARNESS CONTINUITY (OPEN CIRCUIT)

1. Disconnect the following harness connectors.
 - Side radar LH
 - Harness connectors B33 and B245
2. Check the continuity between the side radar LH harness connector and the harness connector.

Side radar LH harness connector		Harness connector		Continuity
Connector No.	Terminal No.	Connector No.	Terminal No.	
B52	4	B33	13	Existed
	3		14	Existed

Is the inspection result normal?

YES >> GO TO 3.

NO >> Repair the main line between the side radar LH and the harness connector B33.

3.CHECK HARNESS CONTINUITY (OPEN CIRCUIT)

1. Disconnect the connector of side radar RH.
2. Check the continuity between the harness connector and the side radar RH harness connector.

Harness connector		Side radar RH harness connector		Continuity
Connector No.	Terminal No.	Connector No.	Terminal No.	
B245	13	B252	4	Existed
	14		3	Existed

Is the inspection result normal?

YES (Present error)>>Check CAN system type decision again.

YES (Past error)>>Error was detected in the main line between the side radar LH and the side radar RH.

NO >> Repair the main line between the harness connector B245 and the side radar RH.

MAIN LINE BETWEEN RDR-R AND APA CIRCUIT

< DTC/CIRCUIT DIAGNOSIS >

[CAN SYSTEM (TYPE 3)]

MAIN LINE BETWEEN RDR-R AND APA CIRCUIT

Diagnosis Procedure

INFOID:000000006888805

1.CHECK CONNECTOR

1. Turn the ignition switch OFF.
2. Disconnect the battery cable from the negative terminal.
3. Check the following terminals and connectors for damage, bend and loose connection (connector side and harness side).
 - Harness connector B201
 - Harness connector M117
 - Harness connector M20 and PCB harness side connector

Is the inspection result normal?

YES >> GO TO 2.

NO >> Repair the terminal and connector.

2.CHECK HARNESS CONTINUITY (OPEN CIRCUIT)

1. Disconnect the following harness connectors.
 - Side radar RH
 - Harness connectors B201 and M117
2. Check the continuity between the side radar RH harness connector and the harness connector.

Side radar RH harness connector		Harness connector		Continuity
Connector No.	Terminal No.	Connector No.	Terminal No.	
B252	4	B201	66	Existed
	3		67	Existed

Is the inspection result normal?

YES >> GO TO 3.

NO >> Repair the main line between the side radar RH and the harness connector B201.

3.CHECK HARNESS CONTINUITY (OPEN CIRCUIT)

1. Disconnect the harness connector M20.
2. Check the continuity between the harness connectors.

Harness connector		Harness connector		Continuity
Connector No.	Terminal No.	Connector No.	Terminal No.	
M117	66	M20	38	Existed
	67		40	Existed

Is the inspection result normal?

YES >> GO TO 4.

NO >> Repair the main line between the harness connectors M117 and M20.

4.CHECK HARNESS CONTINUITY (OPEN CIRCUIT)

1. Disconnect the harness connectors M150 and M151.
2. Check the continuity between the PCB harness connector and the harness connector.

PCB harness connector		Harness connector		Continuity
Terminal No.	Connector No.	Terminal No.	Connector No.	
38	M150	11	M151	Existed
40		10		Existed

Is the inspection result normal?

YES (Present error)>>Check CAN system type decision again.

YES (Past error)>>Error was detected in the main line between the side radar RH and the accelerator pedal actuator.

A
B
C
D
E
F
G
H
I
J
K
L
N
O
P

LAN

MAIN LINE BETWEEN RDR-R AND APA CIRCUIT

< DTC/CIRCUIT DIAGNOSIS >

[CAN SYSTEM (TYPE 3)]

NO >> Replace the PCB harness.

MAIN LINE BETWEEN APA AND LANE CIRCUIT

< DTC/CIRCUIT DIAGNOSIS >

[CAN SYSTEM (TYPE 3)]

MAIN LINE BETWEEN APA AND LANE CIRCUIT

Diagnosis Procedure

INFOID:000000006888806

1. CHECK HARNESS CONTINUITY (OPEN CIRCUIT)

1. Turn the ignition switch OFF.
2. Disconnect the battery cable from the negative terminal.
3. Disconnect the following harness connectors.
 - ADAS control unit
 - Harness connectors M151 and M150
 - Harness connectors M110 and R7
4. Check the continuity between the harness connectors.

Harness connector		Harness connector		Continuity
Connector No.	Terminal No.	Connector No.	Terminal No.	
M150	11	M110	13	Existed
	10		2	Existed

Is the inspection result normal?

YES (Present error)>>Check CAN system type decision again.

YES (Past error)>>Error was detected in the main line between the accelerator pedal actuator and the lane camera unit.

NO >> Replace the PCB harness.

A
B
C
D
E
F
G
H
I
J
K
L

LAN

N
O
P

ECM BRANCH LINE CIRCUIT

< DTC/CIRCUIT DIAGNOSIS >

[CAN SYSTEM (TYPE 3)]

ECM BRANCH LINE CIRCUIT

Diagnosis Procedure

INFOID:000000007217827

1. CHECK CONNECTOR

1. Turn the ignition switch OFF.
2. Disconnect the battery cable from the negative terminal.
3. Check the following terminals and connectors for damage, bend and loose connection (unit side and connector side).
 - ECM
 - Harness connector M30 and PCB harness side connector

Is the inspection result normal?

YES >> GO TO 2.

NO >> Repair the terminal and connector.

2. CHECK HARNESS FOR OPEN CIRCUIT

1. Disconnect the connector of ECM.
2. Check the resistance between the ECM harness connector terminals.
 - VQ37VHR

ECM harness connector			Resistance (Ω)
Connector No.	Terminal No.		
M107	114	113	Approx. 108 – 132

- VK56VD

ECM harness connector			Resistance (Ω)
Connector No.	Terminal No.		
M160	146	151	Approx. 108 – 132

Is the measurement value within the specification?

YES >> GO TO 3.

NO >> GO TO 4.

3. CHECK POWER SUPPLY AND GROUND CIRCUIT

Check the power supply and the ground circuit of the ECM. Refer to the following.

- VQ37VHR for USA and Canada: [EC-180, "Diagnosis Procedure"](#)
- VQ37VHR for Mexico: [EC-682, "Diagnosis Procedure"](#)
- VK56VD for USA and Canada: [EC-1149, "Diagnosis Procedure"](#)
- VK56VD for Mexico: [EC-1707, "Diagnosis Procedure"](#)

Is the inspection result normal?

YES (Present error)>>Replace the ECM. Refer to the following.

- VQ37VHR for USA and Canada: [EC-543, "Removal and Installation"](#)
- VQ37VHR for Mexico: [EC-980, "Removal and Installation"](#)
- VK56VD for USA and Canada: [EC-1553, "Removal and Installation"](#)
- VK56VD for Mexico: [EC-2013, "Removal and Installation"](#)

YES (Past error)>>Error was detected in the ECM branch line.

NO >> Repair the power supply and the ground circuit.

4. CHECK HARNESS CONTINUITY (OPEN CIRCUIT)

1. Disconnect the harness connector M30.
2. Check the continuity between the ECM harness connector and the harness connector.
 - VQ37VHR

ECM harness connector		Harness connector		Continuity
Connector No.	Terminal No.	Connector No.	Terminal No.	

ECM BRANCH LINE CIRCUIT

< DTC/CIRCUIT DIAGNOSIS >

[CAN SYSTEM (TYPE 3)]

M107	114	M30	439	Existed
	113		438	Existed

A

- VK56VD

B

ECM harness connector		Harness connector		Continuity
Connector No.	Terminal No.	Connector No.	Terminal No.	
M160	146	M30	439	Existed
	151		438	Existed

C

Is the inspection result normal?

D

YES >> Replace the PCB harness.

NO (VQ37VHR)>>Repair the harness between the ECM harness connector M107 and the harness connector M30.

NO (VK56VD)>>Repair the harness between the ECM harness connector M160 and the harness connector M30.

E

F

G

H

I

J

K

L

LAN

N

O

P

TPMS BRANCH LINE CIRCUIT

< DTC/CIRCUIT DIAGNOSIS >

[CAN SYSTEM (TYPE 3)]

TPMS BRANCH LINE CIRCUIT

Diagnosis Procedure

INFOID:000000007217828

1. CHECK CONNECTOR

1. Turn the ignition switch OFF.
2. Disconnect the battery cable from the negative terminal.
3. Check the following terminals and connectors for damage, bend and loose connection (unit side and connector side).
 - Low tire pressure warning control unit
 - Harness connector M29 and PCB harness side connector

Is the inspection result normal?

YES >> GO TO 2.

NO >> Repair the terminal and connector.

2. CHECK HARNESS FOR OPEN CIRCUIT

1. Disconnect the connector of low tire pressure warning control unit.
2. Check the resistance between the low tire pressure warning control unit harness connector terminals.

Low tire pressure warning control unit harness connector			Resistance (Ω)
Connector No.	Terminal No.		
M43	2	1	Approx. 54 – 66

Is the measurement value within the specification?

YES >> GO TO 3.

NO >> GO TO 4.

3. CHECK POWER SUPPLY AND GROUND CIRCUIT

Check the power supply and the ground circuit of the low tire pressure warning control unit. Refer to [WT-43. "Diagnosis Procedure"](#).

Is the inspection result normal?

YES (Present error)>>Replace the low tire pressure warning control unit. Refer to [WT-58. "Removal and Installation"](#).

YES (Past error)>>Error was detected in the low tire pressure warning control unit branch line.

NO >> Repair the power supply and the ground circuit.

4. CHECK HARNESS CONTINUITY (OPEN CIRCUIT)

1. Disconnect the harness connector M29.
2. Check the continuity between the low tire pressure warning control unit harness connector and the harness connector.

Low tire pressure warning control unit harness connector		Harness connector		Continuity
Connector No.	Terminal No.	Connector No.	Terminal No.	
M43	2	M29	396	Existed
	1		395	Existed

Is the inspection result normal?

YES >> Replace the PCB harness.

NO >> Repair the harness between the low tire pressure warning control unit harness connector M43 and the harness connector M29.

CGW BRANCH LINE CIRCUIT (CAN COMMUNICATION CIRCUIT 1)

< DTC/CIRCUIT DIAGNOSIS >

[CAN SYSTEM (TYPE 3)]

CGW BRANCH LINE CIRCUIT (CAN COMMUNICATION CIRCUIT 1)

Diagnosis Procedure

INFOID:000000007205530

1. CHECK DTC

Check DTC of the CAN gateway with CONSULT.

Is U1010 or B2600 indicated?

YES >> Perform a diagnosis of the indicated DTC.

NO >> GO TO 2.

2. CHECK CONNECTOR

1. Turn the ignition switch OFF.
2. Disconnect the battery cable from the negative terminal.
3. Check the following terminals and connectors for damage, bend and loose connection (unit side and connector side).
 - CAN gateway
 - Harness connector M28 and PCB harness side connector

Is the inspection result normal?

YES >> GO TO 3.

NO >> Repair the terminal and connector.

3. CHECK HARNESS FOR OPEN CIRCUIT

1. Disconnect the connector of CAN gateway.
2. Check the resistance between the CAN gateway harness connector terminals.

CAN gateway harness connector			Resistance (Ω)
Connector No.	Terminal No.		
M125	1	7	Approx. 54 – 66

Is the measurement value within the specification?

YES >> GO TO 4.

NO >> GO TO 5.

4. CHECK POWER SUPPLY AND GROUND CIRCUIT

Check the power supply and the ground circuit of the CAN gateway. Refer to [LAN-122, "Diagnosis Procedure"](#).

Is the inspection result normal?

YES (Present error)>>Replace the CAN gateway. Refer to [LAN-123, "Removal and Installation"](#).

YES (Past error)>>Error was detected in the CAN gateway branch line (CAN communication circuit 1 side). Refer to [LAN-47, "System Diagram"](#).

NO >> Repair the power supply and the ground circuit.

5. CHECK HARNESS CONTINUITY (OPEN CIRCUIT)

1. Disconnect the harness connector M28.
2. Check the continuity between the CAN gateway harness connector and the harness connector.

CAN gateway harness connector		Harness connector		Continuity
Connector No.	Terminal No.	Connector No.	Terminal No.	
M125	1	M28	326	Existed
	7		328	Existed

Is the inspection result normal?

YES >> Replace the PCB harness.

NO >> Repair the harness between the CAN gateway harness connector M125 and the harness connector M28.

A
B
C
D
E
F
G
H
I
J
K
L
N
O
P

LAN

CGW BRANCH LINE CIRCUIT (CAN COMMUNICATION CIRCUIT 2)

< DTC/CIRCUIT DIAGNOSIS >

[CAN SYSTEM (TYPE 3)]

CGW BRANCH LINE CIRCUIT (CAN COMMUNICATION CIRCUIT 2)

Diagnosis Procedure

INFOID:000000007205531

1. CHECK DTC

Check DTC of the CAN gateway with CONSULT.

Is U1010 or B2600 indicated?

- YES >> Perform a diagnosis of the indicated DTC.
- NO >> GO TO 2.

2. CHECK CONNECTOR

1. Turn the ignition switch OFF.
2. Disconnect the battery cable from the negative terminal.
3. Check the following terminals and connectors for damage, bend and loose connection (unit side and connector side).
 - CAN gateway
 - Harness connector M23 and PCB harness side connector

Is the inspection result normal?

- YES >> GO TO 3.
- NO >> Repair the terminal and connector.

3. CHECK HARNESS CONTINUITY (OPEN CIRCUIT)

1. Disconnect the connector of CAN gateway.
2. Check the continuity between the CAN gateway harness connector terminals.

CAN gateway harness connector			Continuity
Connector No.	Terminal No.		
M125	4	6	Existed
	10	12	Existed

Is the inspection result normal?

- YES >> GO TO 4.
- NO >> GO TO 5.

4. CHECK POWER SUPPLY AND GROUND CIRCUIT

Check the power supply and the ground circuit of the CAN gateway. Refer to [LAN-122, "Diagnosis Procedure"](#).

Is the inspection result normal?

- YES (Present error)>>Replace the CAN gateway. Refer to [LAN-123, "Removal and Installation"](#).
- YES (Past error)>>Error was detected in the CAN gateway branch line (CAN communication circuit 2 side). Refer to [LAN-47, "System Diagram"](#).
- NO >> Repair the power supply and the ground circuit.

5. CHECK HARNESS CONTINUITY (OPEN CIRCUIT)

1. Disconnect the harness connector M23.
2. Check the continuity between the CAN gateway harness connector and the harness connector.

CAN gateway harness connector		Harness connector		Continuity
Connector No.	Terminal No.	Connector No.	Terminal No.	
M125	4	M23	133	Existed
	10		135	Existed

Is the inspection result normal?

- YES >> Replace the PCB harness.
- NO >> Repair the harness between the CAN gateway harness connector M125 and the harness connector M23.

HVAC BRANCH LINE CIRCUIT

< DTC/CIRCUIT DIAGNOSIS >

[CAN SYSTEM (TYPE 3)]

HVAC BRANCH LINE CIRCUIT

Diagnosis Procedure

INFOID:00000000688811

1. CHECK CONNECTOR

1. Turn the ignition switch OFF.
2. Disconnect the battery cable from the negative terminal.
3. Check the following terminals and connectors for damage, bend and loose connection (unit side and connector side).
 - A/C auto amp.
 - Harness connector M28 and PCB harness side connector

Is the inspection result normal?

- YES >> GO TO 2.
NO >> Repair the terminal and connector.

2. CHECK HARNESS FOR OPEN CIRCUIT

1. Disconnect the connector of A/C auto amp.
2. Check the resistance between the A/C auto amp. harness connector terminals.

A/C auto amp. harness connector			Resistance (Ω)
Connector No.	Terminal No.		
M66	12	11	Approx. 54 – 66

Is the measurement value within the specification?

- YES >> GO TO 3.
NO >> GO TO 4.

3. CHECK POWER SUPPLY AND GROUND CIRCUIT

Check the power supply and the ground circuit of the A/C auto amp. Refer to [HAC-156. "A/C AUTO AMP. : Diagnosis Procedure"](#).

Is the inspection result normal?

- YES (Present error)>>Replace the A/C auto amp. Refer to [HAC-190. "Removal and Installation"](#).
YES (Past error)>>Error was detected in the A/C auto amp. branch line.
NO >> Repair the power supply and the ground circuit.

4. CHECK HARNESS CONTINUITY (OPEN CIRCUIT)

1. Disconnect the harness connector M28.
2. Check the continuity between the A/C auto amp. harness connector and the harness connector.

A/C auto amp. harness connector		Harness connector		Continuity
Connector No.	Terminal No.	Connector No.	Terminal No.	
M66	12	M28	325	Existed
	11		327	Existed

Is the inspection result normal?

- YES >> Replace the PCB harness.
NO >> Repair the harness between the A/C auto amp. harness connector M66 and the harness connector M28.

A
B
C
D
E
F
G
H
I
J
K
L
N
O
P

LAN

TCM BRANCH LINE CIRCUIT

< DTC/CIRCUIT DIAGNOSIS >

[CAN SYSTEM (TYPE 3)]

TCM BRANCH LINE CIRCUIT

Diagnosis Procedure

INFOID:000000007205532

1. CHECK CONNECTOR

1. Turn the ignition switch OFF.
2. Disconnect the battery cable from the negative terminal.
3. Check the following terminals and connectors for damage, bend and loose connection (unit side and connector side).
 - A/T assembly
 - Harness connector F103
 - Harness connector M116
 - Harness connector M28 and PCB harness side connector

Is the inspection result normal?

YES >> GO TO 2.

NO >> Repair the terminal and connector.

2. CHECK HARNESS FOR OPEN CIRCUIT

1. Disconnect the connector of A/T assembly.
2. Check the resistance between the A/T assembly harness connector terminals.

A/T assembly harness connector		Resistance (Ω)
Connector No.	Terminal No.	
F61	3 8	Approx. 54 – 66

Is the measurement value within the specification?

YES >> GO TO 3.

NO >> GO TO 5.

3. CHECK HARNESS FOR OPEN CIRCUIT

1. Remove the joint connector. Refer to [TM-181, "Exploded View"](#).
2. Check the continuity between the A/T assembly harness connector side and the TCM harness connector side of the joint connector.

A/T assembly harness connector side	TCM harness connector side	Continuity
Terminal No.	Terminal No.	
3	3	Existed
8	8	Existed

Is the inspection result normal?

YES >> GO TO 4.

NO >> Replace the joint connector.

4. CHECK POWER SUPPLY AND GROUND CIRCUIT

Check the power supply and the ground circuit of the TCM. Refer to [TM-150, "Diagnosis Procedure"](#).

Is the inspection result normal?

YES (Present error)>>Replace the control valve & TCM. Refer to [TM-181, "Exploded View"](#).

YES (Past error)>>Error was detected in the TCM branch line.

NO >> Repair the power supply and the ground circuit.

5. CHECK HARNESS CONTINUITY (OPEN CIRCUIT)

1. Disconnect the harness connector M28.
2. Check the continuity between the A/T assembly harness connector and the harness connector.

TCM BRANCH LINE CIRCUIT

< DTC/CIRCUIT DIAGNOSIS >

[CAN SYSTEM (TYPE 3)]

A/T assembly harness connector		Harness connector		Continuity
Connector No.	Terminal No.	Connector No.	Terminal No.	
F61	3	M28	346	Existed
	8		347	Existed

Is the inspection result normal?

YES >> Replace the PCB harness.

NO >> Repair the harness between the A/T assembly harness connector F61 and the harness connector M28.

A
B
C
D
E
F
G
H
I
J
K
L
N
O
P

LAN

A-BAG BRANCH LINE CIRCUIT

< DTC/CIRCUIT DIAGNOSIS >

[CAN SYSTEM (TYPE 3)]

A-BAG BRANCH LINE CIRCUIT

Diagnosis Procedure

INFOID:00000000688813

WARNING:

- Before servicing, turn ignition switch OFF, disconnect battery negative terminal, and wait 3 minutes or more. (To discharge backup capacitor.)
- Never use unspecified tester or other measuring device.

1. CHECK CONNECTOR

1. Turn the ignition switch OFF.
2. Disconnect the battery cable from the negative terminal.
3. Check the following terminals and connectors for damage, bend and loose connection (unit side and connector side).
 - Air bag diagnosis sensor unit
 - Harness connector M26 and PCB harness side connector

Is the inspection result normal?

- YES >> GO TO 2.
NO >> Replace the main harness and/or the PCB harness.

2. CHECK AIR BAG DIAGNOSIS SENSOR UNIT

Check the air bag diagnosis sensor unit. Refer to [SRC-24. "Work Flow"](#).

Is the inspection result normal?

- YES >> Replace the main harness and/or the PCB harness.
NO >> Replace parts whose air bag system has a malfunction.

AV BRANCH LINE CIRCUIT

< DTC/CIRCUIT DIAGNOSIS >

[CAN SYSTEM (TYPE 3)]

AV BRANCH LINE CIRCUIT

Diagnosis Procedure

INFOID:00000000688814

1. CHECK CONNECTOR

1. Turn the ignition switch OFF.
2. Disconnect the battery cable from the negative terminal.
3. Check the following terminals and connectors for damage, bend and loose connection (unit side and connector side).
 - AV control unit
 - Harness connector M25 and PCB harness side connector

Is the inspection result normal?

YES >> GO TO 2.

NO >> Repair the terminal and connector.

2. CHECK HARNESS FOR OPEN CIRCUIT

1. Disconnect the connector of AV control unit.
2. Check the resistance between the AV control unit harness connector terminals.
 - Models with navigation system

AV control unit harness connector			Resistance (Ω)
Connector No.	Terminal No.		
M210	90	74	Approx. 54 – 66

- Models without navigation system

AV control unit harness connector			Resistance (Ω)
Connector No.	Terminal No.		
M84	81	80	Approx. 54 – 66

Is the measurement value within the specification?

YES >> GO TO 3.

NO >> GO TO 4.

3. CHECK POWER SUPPLY AND GROUND CIRCUIT

Check the power supply and the ground circuit of the AV control unit. Refer to the following.

- Base audio without navigation system: [AV-72, "AV CONTROL UNIT : Diagnosis Procedure"](#)
- BOSE audio with navigation system: [AV-236, "AV CONTROL UNIT : Diagnosis Procedure"](#)

Is the inspection result normal?

YES (Present error)>>Replace the AV control unit. Refer to the following.

- Base audio without navigation system: [AV-103, "Removal and Installation"](#)
- BOSE audio with navigation system: [AV-263, "Removal and Installation"](#)

YES (Past error)>>Error was detected in the AV control unit branch line.

NO >> Repair the power supply and the ground circuit.

4. CHECK HARNESS CONTINUITY (OPEN CIRCUIT)

1. Disconnect the harness connector M25.
2. Check the continuity between the AV control unit harness connector and the harness connector.
 - Models with navigation system

AV control unit harness connector		Harness connector		Continuity
Connector No.	Terminal No.	Connector No.	Terminal No.	
M210	90	M25	201	Existed
	74		221	Existed

- Models without navigation system

AV BRANCH LINE CIRCUIT

< DTC/CIRCUIT DIAGNOSIS >

[CAN SYSTEM (TYPE 3)]

AV control unit harness connector		Harness connector		Continuity
Connector No.	Terminal No.	Connector No.	Terminal No.	
M84	81	M25	201	Existed
	80		221	Existed

Is the inspection result normal?

YES >> Replace the PCB harness.

NO (With navigation system)>>Repair the harness between the AV control unit harness connector M210 and the harness connector M25.

NO (Without navigation system)>>Repair the harness between the AV control unit harness connector M84 and the harness connector M25.

M&A BRANCH LINE CIRCUIT

< DTC/CIRCUIT DIAGNOSIS >

[CAN SYSTEM (TYPE 3)]

M&A BRANCH LINE CIRCUIT

Diagnosis Procedure

INFOID:00000000688815

1.CHECK CONNECTOR

1. Turn the ignition switch OFF.
2. Disconnect the battery cable from the negative terminal.
3. Check the following terminals and connectors for damage, bend and loose connection (unit side and connector side).
 - Combination meter
 - Harness connector M24 and PCB harness side connector

Is the inspection result normal?

YES >> GO TO 2.

NO >> Repair the terminal and connector.

2.CHECK HARNESS FOR OPEN CIRCUIT

1. Disconnect the connector of combination meter.
2. Check the resistance between the combination meter harness connector terminals.

Combination meter harness connector			Resistance (Ω)
Connector No.	Terminal No.		
M53	14	15	Approx. 54 – 66

Is the measurement value within the specification?

YES >> GO TO 3.

NO >> GO TO 4.

3.CHECK POWER SUPPLY AND GROUND CIRCUIT

Check the power supply and the ground circuit of the combination meter Refer to [MWI-59. "COMBINATION METER : Diagnosis Procedure"](#).

Is the inspection result normal?

YES (Present error)>>Replace the combination meter. Refer to [MWI-79. "Removal and Installation"](#).

YES (Past error)>>Error was detected in the combination meter branch line.

NO >> Repair the power supply and the ground circuit.

4.CHECK HARNESS CONTINUITY (OPEN CIRCUIT)

1. Disconnect the harness connector M24.
2. Check the continuity between the combination meter harness connector and the harness connector.

Combination meter harness connector		Harness connector		Continuity
Connector No.	Terminal No.	Connector No.	Terminal No.	
M53	14	M24	176	Existed
	15		177	Existed

Is the inspection result normal?

YES >> Replace the PCB harness.

NO >> Repair the harness between the combination meter harness connector M53 and the harness connector M24.

A
B
C
D
E
F
G
H
I
J
K
L
N
O
P

LAN

DLC BRANCH LINE CIRCUIT (CAN COMMUNICATION CIRCUIT 1)

< DTC/CIRCUIT DIAGNOSIS >

[CAN SYSTEM (TYPE 3)]

DLC BRANCH LINE CIRCUIT (CAN COMMUNICATION CIRCUIT 1)

Diagnosis Procedure

INFOID:000000007205533

1. CHECK CONNECTOR

1. Turn the ignition switch OFF.
2. Disconnect the battery cable from the negative terminal.
3. Check the following terminals and connectors for damage, bend and loose connection (unit side and connector side).
 - Data link connector
 - Harness connector M181
 - Harness connector M105
 - Harness connector M23 and PCB harness side connector

Is the inspection result normal?

YES >> GO TO 2.

NO >> Repair the terminal and connector.

2. CHECK HARNESS FOR OPEN CIRCUIT

Check the resistance between the data link connector terminals.

Data link connector			Resistance (Ω)
Connector No.	Terminal No.		
M182	6	14	Approx. 54 – 66

Is the measurement value within the specification?

YES (Present error)>>Check CAN system type decision again.

YES (Past error)>>Error was detected in the data link connector branch line circuit (CAN communication circuit 1 side). Refer to [LAN-47, "System Diagram"](#).

NO >> GO TO 3.

3. CHECK HARNESS CONTINUITY (OPEN CIRCUIT)

1. Disconnect the harness connector M23.
2. Check the continuity between the data link connector and the harness connector.

Data link connector		Harness connector		Continuity
Connector No.	Terminal No.	Connector No.	Terminal No.	
M182	6	M23	151	Existed
	14		150	Existed

Is the inspection result normal?

YES >> Replace the PCB harness.

NO >> Repair the harness between the data link connector M182 and the harness connector M23.

DLC BRANCH LINE CIRCUIT (CAN COMMUNICATION CIRCUIT 2)

< DTC/CIRCUIT DIAGNOSIS >

[CAN SYSTEM (TYPE 3)]

DLC BRANCH LINE CIRCUIT (CAN COMMUNICATION CIRCUIT 2)

Diagnosis Procedure

INFOID:000000007205534

1. CHECK CONNECTOR

1. Turn the ignition switch OFF.
2. Disconnect the battery cable from the negative terminal.
3. Check the following terminals and connectors for damage, bend and loose connection (unit side and connector side).
 - Data link connector
 - Harness connector M181
 - Harness connector M105
 - Harness connector M23 and PCB harness side connector

Is the inspection result normal?

YES >> GO TO 2.

NO >> Repair the terminal and connector.

2. CHECK HARNESS FOR OPEN CIRCUIT

Check the resistance between the data link connector terminals.

Data link connector		Resistance (Ω)
Connector No.	Terminal No.	
M182	13	Approx. 54 – 66
	12	

Is the measurement value within the specification?

YES (Present error)>>Check CAN system type decision again.

YES (Past error)>>Error was detected in the data link connector branch line circuit (CAN communication circuit 2 side). Refer to [LAN-47, "System Diagram"](#).

NO >> GO TO 3.

3. CHECK HARNESS CONTINUITY (OPEN CIRCUIT)

1. Disconnect the harness connector M23.
2. Check the continuity between the data link connector and the harness connector.

Data link connector		Harness connector		Continuity
Connector No.	Terminal No.	Connector No.	Terminal No.	
M182	13	M23	140	Existed
	12		139	Existed

Is the inspection result normal?

YES >> Replace the PCB harness.

NO >> Repair the harness between the data link connector M182 and the harness connector M23.

LAN

BCM BRANCH LINE CIRCUIT

< DTC/CIRCUIT DIAGNOSIS >

[CAN SYSTEM (TYPE 3)]

BCM BRANCH LINE CIRCUIT

Diagnosis Procedure

INFOID:00000000688817

1. CHECK CONNECTOR

1. Turn the ignition switch OFF.
2. Disconnect the battery cable from the negative terminal.
3. Check the following terminals and connectors for damage, bend and loose connection (unit side and connector side).
 - BCM
 - Harness connector M22 and PCB harness side connector

Is the inspection result normal?

YES >> GO TO 2.

NO >> Repair the terminal and connector.

2. CHECK HARNESS FOR OPEN CIRCUIT

1. Disconnect the connector of BCM.
2. Check the resistance between the BCM harness connector terminals.

BCM harness connector			Resistance (Ω)
Connector No.	Terminal No.		
M120	39	40	Approx. 54 – 66

Is the measurement value within the specification?

YES >> GO TO 3.

NO >> GO TO 4.

3. CHECK POWER SUPPLY AND GROUND CIRCUIT

Check the power supply and the ground circuit of the BCM. Refer to [BCS-75. "Diagnosis Procedure"](#).

Is the inspection result normal?

YES (Present error)>>Replace the BCM. Refer to [BCS-82. "Removal and Installation"](#).

YES (Past error)>>Error was detected in the BCM branch line.

NO >> Repair the power supply and the ground circuit.

4. CHECK HARNESS CONTINUITY (OPEN CIRCUIT)

1. Disconnect the harness connector M22.
2. Check the continuity between the BCM harness connector and the harness connector.

BCM harness connector		Harness connector		Continuity
Connector No.	Terminal No.	Connector No.	Terminal No.	
M120	39	M22	101	Existed
	40		102	Existed

Is the inspection result normal?

YES >> Replace the PCB harness.

NO >> Repair the harness between the BCM harness connector M120 and the harness connector M22.

STRG BRANCH LINE CIRCUIT

< DTC/CIRCUIT DIAGNOSIS >

[CAN SYSTEM (TYPE 3)]

STRG BRANCH LINE CIRCUIT

Diagnosis Procedure

INFOID:00000000688818

1.CHECK CONNECTOR

1. Turn the ignition switch OFF.
2. Disconnect the battery cable from the negative terminal.
3. Check the following terminals and connectors for damage, bend and loose connection (unit side and connector side).
 - Steering angle sensor
 - Harness connector M22 and PCB harness side connector

Is the inspection result normal?

YES >> GO TO 2.

NO >> Repair the terminal and connector.

2.CHECK HARNESS FOR OPEN CIRCUIT

1. Disconnect the connector of steering angle sensor.
2. Check the resistance between the steering angle sensor harness connector terminals.

Steering angle sensor harness connector			Resistance (Ω)
Connector No.	Terminal No.		
M37	1	2	Approx. 54 – 66

Is the measurement value within the specification?

YES >> GO TO 3.

NO >> GO TO 4.

3.CHECK POWER SUPPLY AND GROUND CIRCUIT

Check the power supply and the ground circuit of the steering angle sensor. Refer to [BRC-53. "Wiring Diagram"](#).

Is the inspection result normal?

YES (Present error)>>Replace the steering angle sensor. Refer to [BRC-144. "Removal and Installation"](#).

YES (Past error)>>Error was detected in the steering angle sensor branch line.

NO >> Repair the power supply and the ground circuit.

4.CHECK HARNESS CONTINUITY (OPEN CIRCUIT)

1. Disconnect the harness connector M22.
2. Check the continuity between the steering angle sensor harness connector and the harness connector.

Steering angle sensor harness connector		Harness connector		Continuity
Connector No.	Terminal No.	Connector No.	Terminal No.	
M37	1	M22	81	Existed
	2		82	Existed

Is the inspection result normal?

YES >> Replace the PCB harness.

NO >> Repair the harness between the steering angle sensor harness connector M37 and the harness connector M22.

A
B
C
D
E
F
G
H
I
J
K
L
N
O
P

LAN

ABS BRANCH LINE CIRCUIT

< DTC/CIRCUIT DIAGNOSIS >

[CAN SYSTEM (TYPE 3)]

ABS BRANCH LINE CIRCUIT

Diagnosis Procedure

INFOID:00000000688819

1. CHECK CONNECTOR

1. Turn the ignition switch OFF.
2. Disconnect the battery cable from the negative terminal.
3. Check the terminals and connectors of the ABS actuator and electric unit (control unit) for damage, bend and loose connection (unit side and connector side).

Is the inspection result normal?

- YES >> GO TO 2.
NO >> Repair the terminal and connector.

2. CHECK HARNESS FOR OPEN CIRCUIT

1. Disconnect the connector of ABS actuator and electric unit (control unit).
2. Check the resistance between the ABS actuator and electric unit (control unit) harness connector terminals.

ABS actuator and electric unit (control unit) harness connector			Resistance (Ω)
Connector No.	Terminal No.		
E41	25	15	Approx. 54 – 66

Is the measurement value within the specification?

- YES >> GO TO 3.
NO >> Repair the ABS actuator and electric unit (control unit) branch line.

3. CHECK POWER SUPPLY AND GROUND CIRCUIT

Check the power supply and the ground circuit of the ABS actuator and electric unit (control unit). Refer to [BRC-119, "Diagnosis Procedure"](#).

Is the inspection result normal?

- YES (Present error)>>Replace the ABS actuator and electric unit (control unit). Refer to [BRC-141, "Removal and Installation"](#).
YES (Past error)>>Error was detected in the ABS actuator and electric unit (control unit) branch line.
NO >> Repair the power supply and the ground circuit.

AFS BRANCH LINE CIRCUIT

< DTC/CIRCUIT DIAGNOSIS >

[CAN SYSTEM (TYPE 3)]

AFS BRANCH LINE CIRCUIT

Diagnosis Procedure

INFOID:00000000688820

1. CHECK CONNECTOR

1. Turn the ignition switch OFF.
2. Disconnect the battery cable from the negative terminal.
3. Check the terminals and connectors of the AFS control unit for damage, bend and loose connection (unit side and connector side).

Is the inspection result normal?

- YES >> GO TO 2.
NO >> Repair the terminal and connector.

2. CHECK HARNESS FOR OPEN CIRCUIT

1. Disconnect the connector of AFS control unit.
2. Check the resistance between the AFS control unit harness connector terminals.

AFS control unit harness connector			Resistance (Ω)
Connector No.	Terminal No.		
E104	30	7	Approx. 54 – 66

Is the measurement value within the specification?

- YES >> GO TO 3.
NO >> Repair the AFS control unit branch line.

3. CHECK POWER SUPPLY AND GROUND CIRCUIT

Check the power supply and the ground circuit of the AFS control unit. Refer to [EXL-72, "AFS CONTROL UNIT : Diagnosis Procedure"](#).

Is the inspection result normal?

- YES (Present error)>>Replace the AFS control unit. Refer to [EXL-114, "Removal and Installation"](#).
YES (Past error)>>Error was detected in the AFS control unit branch line.
NO >> Repair the power supply and the ground circuit.

A
B
C
D
E
F
G
H
I
J
K
L

LAN

N
O
P

IPDM-E BRANCH LINE CIRCUIT

< DTC/CIRCUIT DIAGNOSIS >

[CAN SYSTEM (TYPE 3)]

IPDM-E BRANCH LINE CIRCUIT

Diagnosis Procedure

INFOID:00000000688821

1. CHECK CONNECTOR

1. Turn the ignition switch OFF.
2. Disconnect the battery cable from the negative terminal.
3. Check the terminals and connectors of the IPDM E/R for damage, bend and loose connection (unit side and connector side).

Is the inspection result normal?

- YES >> GO TO 2.
NO >> Repair the terminal and connector.

2. CHECK HARNESS FOR OPEN CIRCUIT

1. Disconnect the connector of IPDM E/R.
2. Check the resistance between the IPDM E/R harness connector terminals.

IPDM E/R harness connector			Resistance (Ω)
Connector No.	Terminal No.		
E6	40	39	Approx. 108 – 132

Is the measurement value within the specification?

- YES >> GO TO 3.
NO >> Repair the IPDM E/R branch line.

3. CHECK POWER SUPPLY AND GROUND CIRCUIT

Check the power supply and the ground circuit of the IPDM E/R. Refer to [PCS-32, "Diagnosis Procedure"](#).

Is the inspection result normal?

- YES (Present error)>>Replace the IPDM E/R. Refer to [PCS-33, "Removal and Installation"](#).
YES (Past error)>>Error was detected in the IPDM E/R branch line.
NO >> Repair the power supply and the ground circuit.

ADP BRANCH LINE CIRCUIT

< DTC/CIRCUIT DIAGNOSIS >

[CAN SYSTEM (TYPE 3)]

ADP BRANCH LINE CIRCUIT

Diagnosis Procedure

INFOID:000000007205535

1. CHECK CONNECTOR

1. Turn the ignition switch OFF.
2. Disconnect the battery cable from the negative terminal.
3. Check the following terminals and connectors for damage, bend and loose connection (unit side and connector side).
 - Driver seat control unit
 - Harness connector B501
 - Harness connector B11
 - CAN gateway (With ICC system)

Is the inspection result normal?

YES (With ICC system)>>GO TO 2.

YES (Without ICC system)>>GO TO 3.

NO >> Repair the terminal and connector.

2. CHECK HARNESS CONTINUITY (OPEN CIRCUIT)

1. Disconnect the connector of CAN gateway.
2. Check the continuity between the CAN gateway harness connector terminals.

CAN gateway harness connector			Continuity
Connector No.	Terminal No.		
M125	4	6	Existed
	10	12	Existed

Is the inspection result normal?

YES >> GO TO 3.

NO >> Check the harness and repair or replace (if shield line is open) the root cause (CAN communication circuit 2 side). Refer to [LAN-47, "System Diagram"](#).

3. CHECK HARNESS FOR OPEN CIRCUIT

1. Connect the connector of CAN gateway. (With ICC system)
2. Disconnect the connector of driver seat control unit.
3. Check the resistance between the driver seat control unit harness connector terminals.

Driver seat control unit harness connector			Resistance (Ω)
Connector No.	Terminal No.		
B514	23	24	Approx. 54 – 66

Is the measurement value within the specification?

YES >> GO TO 4.

NO >> Repair the driver seat control unit branch line.

4. CHECK POWER SUPPLY AND GROUND CIRCUIT

Check the power supply and the ground circuit of the driver seat control unit. Refer to [ADP-61, "DRIVER SEAT CONTROL UNIT : Diagnosis Procedure"](#).

Is the inspection result normal?

YES (Present error)>>Replace the driver seat control unit. Refer to [ADP-134, "Removal and Installation"](#).

YES (Past error)>>Error was detected in the driver seat control unit branch line.

NO >> Repair the power supply and the ground circuit.

ICC BRANCH LINE CIRCUIT

Diagnosis Procedure

INFOID:000000007205536

1. CHECK CONNECTOR

1. Turn the ignition switch OFF.
2. Disconnect the battery cable from the negative terminal.
3. Check the following terminals and connectors for damage, bend and loose connection (unit side and connector side).
 - ADAS control unit
 - CAN gateway

Is the inspection result normal?

- YES >> GO TO 2.
 NO >> Repair the terminal and connector.

2. CHECK HARNESS CONTINUITY (OPEN CIRCUIT)

1. Disconnect the connector of CAN gateway.
2. Check the continuity between the CAN gateway harness connector terminals.

CAN gateway harness connector			Continuity
Connector No.	Terminal No.		
M125	4	6	Existed
	10	12	Existed

Is the inspection result normal?

- YES >> GO TO 3.
 NO >> Check the harness and repair or replace (if shield line is open) the root cause (CAN communication circuit 2 side). Refer to [LAN-47, "System Diagram"](#).

3. CHECK HARNESS FOR OPEN CIRCUIT

1. Connect the connector of CAN gateway.
2. Disconnect the connector of ADAS control unit.
3. Check the resistance between the ADAS control unit harness connector terminals.

ADAS control unit harness connector			Resistance (Ω)
Connector No.	Terminal No.		
B50	14	15	Approx. 54 – 66

Is the measurement value within the specification?

- YES >> GO TO 4.
 NO >> Replace the body harness.

4. CHECK POWER SUPPLY AND GROUND CIRCUIT

Check the power supply and the ground circuit of the ADAS control unit. Refer to [DAS-54, "Diagnosis Procedure"](#).

Is the inspection result normal?

- YES (Present error)>>Replace the ADAS control unit. Refer to [DAS-55, "Removal and Installation"](#).
 YES (Past error)>>Error was detected in the ADAS control unit branch line.
 NO >> Repair the power supply and the ground circuit.

PSB BRANCH LINE CIRCUIT

Diagnosis Procedure

INFOID:000000007205537

1.CHECK CONNECTOR

1. Turn the ignition switch OFF.
2. Disconnect the battery cable from the negative terminal.
3. Check the following terminals and connectors for damage, bend and loose connection (unit side and connector side).
 - Pre-crash seat belt control unit (driver side)
 - CAN gateway

Is the inspection result normal?

- YES >> GO TO 2.
- NO >> Repair the terminal and connector.

2.CHECK HARNESS CONTINUITY (OPEN CIRCUIT)

1. Disconnect the connector of CAN gateway.
2. Check the continuity between the CAN gateway harness connector terminals.

CAN gateway harness connector		Continuity	
Connector No.	Terminal No.		
M125	4	6	Existed
	10	12	Existed

Is the inspection result normal?

- YES >> GO TO 3.
- NO >> Check the harness and repair or replace (if shield line is open) the root cause (CAN communication circuit 2 side). Refer to [LAN-47, "System Diagram"](#).

3.CHECK HARNESS FOR OPEN CIRCUIT

1. Connect the connector of CAN gateway.
2. Disconnect the connector of pre-crash seat belt control unit (driver side).
3. Check the resistance between the pre-crash seat belt control unit (driver side) harness connector terminals.

Pre-crash seat belt control unit (driver side) harness connector		Resistance (Ω)	
Connector No.	Terminal No.		
B9	14	4	Approx. 54 – 66

Is the measurement value within the specification?

- YES >> GO TO 4.
- NO >> Repair the pre-crash seat belt control unit (driver side) branch line.

4.CHECK POWER SUPPLY AND GROUND CIRCUIT

Check the power supply and the ground circuit of the pre-crash seat belt control unit (driver side). Refer to [SBC-46, "Diagnosis Procedure"](#).

Is the inspection result normal?

- YES (Present error)>>Replace the seat belt pre-tensioner retractor (driver side). Refer to [SB-7, "SEAT BELT RETRACTOR : Removal and Installation"](#).
- YES (Past error)>>Error was detected in the pre-crash seat belt control unit (driver side) branch line.
- NO >> Repair the power supply and the ground circuit.

A
B
C
D
E
F
G
H
I
J
K
L
N
O
P

LAN

RDR-L BRANCH LINE CIRCUIT

< DTC/CIRCUIT DIAGNOSIS >

[CAN SYSTEM (TYPE 3)]

RDR-L BRANCH LINE CIRCUIT

Diagnosis Procedure

INFOID:00000000688825

1. CHECK CONNECTOR

1. Turn the ignition switch OFF.
2. Disconnect the battery cable from the negative terminal.
3. Check the terminals and connectors of the side radar LH for damage, bend and loose connection (unit side and connector side).

Is the inspection result normal?

- YES >> GO TO 2.
NO >> Repair the terminal and connector.

2. CHECK HARNESS FOR OPEN CIRCUIT

1. Disconnect the connector of side radar LH.
2. Check the resistance between the side radar LH harness connector terminals.

Side radar LH harness connector			Resistance (Ω)
Connector No.	Terminal No.		
B52	4	3	Approx. 54 – 66

Is the measurement value within the specification?

- YES >> GO TO 3.
NO >> Repair the side radar LH branch line.

3. CHECK POWER SUPPLY AND GROUND CIRCUIT

Check the power supply and the ground circuit of the side radar LH. Refer to [DAS-511, "SIDE RADAR LH : Diagnosis Procedure"](#).

Is the inspection result normal?

- YES (Present error)>>Replace the side radar LH. Refer to [DAS-528, "Removal and Installation"](#).
YES (Past error)>>Error was detected in the side radar LH branch line.
NO >> Repair the power supply and the ground circuit.

RDR-R BRANCH LINE CIRCUIT

< DTC/CIRCUIT DIAGNOSIS >

[CAN SYSTEM (TYPE 3)]

RDR-R BRANCH LINE CIRCUIT

Diagnosis Procedure

INFOID:00000000688826

1. CHECK CONNECTOR

1. Turn the ignition switch OFF.
2. Disconnect the battery cable from the negative terminal.
3. Check the terminals and connectors of the side radar RH for damage, bend and loose connection (unit side and connector side).

Is the inspection result normal?

- YES >> GO TO 2.
NO >> Repair the terminal and connector.

2. CHECK RIGHT/LEFT SWITCHING SIGNAL CIRCUIT

Check the right/left switching signal circuit of the side radar RH. Refer to [DAS-514. "Diagnosis Procedure"](#).

Is the inspection result normal?

- YES >> GO TO 3.
NO >> Repair the root cause.

3. CHECK HARNESS FOR OPEN CIRCUIT

1. Disconnect the connector of side radar RH.
2. Check the resistance between the side radar RH harness connector terminals.

Side radar RH harness connector			Resistance (Ω)
Connector No.	Terminal No.		
B252	4	3	Approx. 54 – 66

Is the measurement value within the specification?

- YES >> GO TO 4.
NO >> Repair the side radar RH branch line.

4. CHECK POWER SUPPLY AND GROUND CIRCUIT

Check the power supply and the ground circuit of the side radar RH. Refer to [DAS-512. "SIDE RADAR RH: Diagnosis Procedure"](#).

Is the inspection result normal?

- YES (Present error)>>Replace the side radar RH. Refer to [DAS-528. "Removal and Installation"](#).
YES (Past error)>>Error was detected in the side radar RH branch line.
NO >> Repair the power supply and the ground circuit.

A
B
C
D
E
F
G
H
I
J
K
L
LAN
N
O
P

APA BRANCH LINE CIRCUIT

< DTC/CIRCUIT DIAGNOSIS >

[CAN SYSTEM (TYPE 3)]

APA BRANCH LINE CIRCUIT

Diagnosis Procedure

INFOID:00000000688827

1. CHECK CONNECTOR

1. Turn the ignition switch OFF.
2. Disconnect the battery cable from the negative terminal.
3. Check the following terminals and connectors for damage, bend and loose connection (unit side and connector side).
 - Accelerator pedal actuator
 - Harness connector M151
 - Harness connector M150
 - Harness connector M23 and PCB harness side connector

Is the inspection result normal?

YES >> GO TO 2.

NO >> Repair the terminal and connector.

2. CHECK HARNESS FOR OPEN CIRCUIT

1. Disconnect the connector of accelerator pedal actuator.
2. Check the resistance between the accelerator pedal actuator harness connector terminals.

Accelerator pedal actuator harness connector			Resistance (Ω)
Connector No.	Terminal No.		
M152	5	4	Approx. 54 – 66

Is the measurement value within the specification?

YES >> GO TO 3.

NO >> GO TO 4.

3. CHECK POWER SUPPLY AND GROUND CIRCUIT

Check the power supply and the ground circuit of the accelerator pedal actuator. Refer to [DAS-178, "ACCELERATOR PEDAL ACTUATOR : Diagnosis Procedure"](#).

Is the inspection result normal?

YES (Present error)>>Replace the accelerator pedal assembly. Refer to [ACC-4, "MODELS WITH DISTANCE CONTROL ASSIST SYSTEM : Removal and Installation"](#).

YES (Past error)>>Error was detected in the accelerator pedal actuator branch line.

NO >> Repair the power supply and the ground circuit.

4. CHECK HARNESS CONTINUITY (OPEN CIRCUIT)

1. Disconnect the harness connector M23.
2. Check the continuity between the accelerator pedal actuator harness connector and the harness connector.

Accelerator pedal actuator harness connector		Harness connector		Continuity
Connector No.	Terminal No.	Connector No.	Terminal No.	
M152	5	M23	138	Existed
	4		137	Existed

Is the inspection result normal?

YES >> Replace the PCB harness.

NO >> Repair the harness between the accelerator pedal actuator harness connector M152 and the harness connector M23.

LANE BRANCH LINE CIRCUIT

< DTC/CIRCUIT DIAGNOSIS >

[CAN SYSTEM (TYPE 3)]

LANE BRANCH LINE CIRCUIT

Diagnosis Procedure

INFOID:000000006888828

1. CHECK CONNECTOR

1. Turn the ignition switch OFF.
2. Disconnect the battery cable from the negative terminal.
3. Check the following terminals and connectors for damage, bend and loose connection (unit side and connector side).
 - Lane camera unit
 - Harness connector R7
 - Harness connector M110
 - Harness connector M24 and PCB harness side connector

Is the inspection result normal?

YES >> GO TO 2.

NO >> Repair the terminal and connector.

2. CHECK HARNESS FOR OPEN CIRCUIT

1. Disconnect the connector of lane camera unit.
2. Check the resistance between the lane camera unit harness connector terminals.

Lane camera unit harness connector			Resistance (Ω)
Connector No.	Terminal No.		
R8	4	8	Approx. 54 – 66

Is the measurement value within the specification?

YES >> GO TO 3.

NO >> GO TO 4.

3. CHECK POWER SUPPLY AND GROUND CIRCUIT

Check the power supply and the ground circuit of the lane camera unit. Refer to [DAS-355, "LANE CAMERA UNIT : Diagnosis Procedure"](#).

Is the inspection result normal?

YES (Present error)>>Replace the lane camera unit. Refer to [DAS-371, "Removal and Installation"](#).

YES (Past error)>>Error was detected in the lane camera unit branch line.

NO >> Repair the power supply and the ground circuit.

4. CHECK HARNESS CONTINUITY (OPEN CIRCUIT)

1. Disconnect the harness connector M24.
2. Check the continuity between the lane camera unit harness connector and the harness connector.

Lane camera unit harness connector		Harness connector		Continuity
Connector No.	Terminal No.	Connector No.	Terminal No.	
R8	4	M24	179	Existed
	8		178	Existed

Is the inspection result normal?

YES >> Replace the PCB harness.

NO >> Repair the harness between the lane camera unit harness connector R8 and the harness connector M24.

A
B
C
D
E
F
G
H
I
J
K
L
N
O
P

LAN

LASER BRANCH LINE CIRCUIT

< DTC/CIRCUIT DIAGNOSIS >

[CAN SYSTEM (TYPE 3)]

LASER BRANCH LINE CIRCUIT

Diagnosis Procedure

INFOID:00000000688829

1. CHECK CONNECTOR

1. Turn the ignition switch OFF.
2. Disconnect the battery cable from the negative terminal.
3. Check the following terminals and connectors for damage, bend and loose connection (unit side and connector side).
 - ICC sensor
 - Harness connector E106
 - Harness connector M6
 - Harness connector M28 and PCB harness side connector

Is the inspection result normal?

YES >> GO TO 2.

NO >> Repair the terminal and connector.

2. CHECK HARNESS FOR OPEN CIRCUIT

1. Disconnect the connector of ICC sensor.
2. Check the resistance between the ICC sensor harness connector terminals.

ICC sensor harness connector			Resistance (Ω)
Connector No.	Terminal No.		
E67	3	6	Approx. 108 – 132

Is the measurement value within the specification?

YES >> GO TO 3.

NO >> GO TO 4.

3. CHECK POWER SUPPLY AND GROUND CIRCUIT

Check the power supply and the ground circuit of the ICC sensor. Refer to [CCS-152, "ICC SENSOR : Diagnosis Procedure"](#).

Is the inspection result normal?

YES (Present error)>>Replace the ICC sensor. Refer to [CCS-170, "Removal and Installation"](#).

YES (Past error)>>Error was detected in the ICC sensor branch line.

NO >> Repair the power supply and the ground circuit.

4. CHECK HARNESS CONTINUITY (OPEN CIRCUIT)

1. Disconnect the harness connector M28.
2. Check the continuity between the ICC sensor harness connector and the harness connector.

ICC sensor harness connector		Harness connector		Continuity
Connector No.	Terminal No.	Connector No.	Terminal No.	
E67	3	M28	343	Existed
	6		345	Existed

Is the inspection result normal?

YES >> Replace the PCB harness.

NO >> Repair the harness between the ICC sensor harness connector E67 and the harness connector M28.

CAN COMMUNICATION CIRCUIT 1

< DTC/CIRCUIT DIAGNOSIS >

[CAN SYSTEM (TYPE 3)]

CAN COMMUNICATION CIRCUIT 1

Diagnosis Procedure

INFOID:00000000688830

1. CONNECTOR INSPECTION

1. Turn the ignition switch OFF.
2. Disconnect the battery cable from the negative terminal.
3. Disconnect all the unit connectors on CAN communication circuit 1.

NOTE:

For identification of CAN communication circuit 1, CAN communication circuit 2, and ITS communication circuit, refer to [LAN-47. "System Diagram"](#).

4. Check terminals and connectors for damage, bend and loose connection.

Is the inspection result normal?

YES >> GO TO 2.

NO >> Repair the terminal and connector.

2. CHECK HARNESS CONTINUITY (SHORT CIRCUIT)

Check the continuity between the data link connector terminals.

Data link connector		Continuity
Connector No.	Terminal No.	
M182	6 14	Not existed

Is the inspection result normal?

YES >> GO TO 3.

NO >> Check the harness and repair or replace (if shield line or PCB harness is short) the root cause.

3. CHECK HARNESS CONTINUITY (SHORT CIRCUIT)

Check the continuity between the data link connector and the ground.

Data link connector		Ground	Continuity
Connector No.	Terminal No.		
M182	6		Not existed
	14		Not existed

Is the inspection result normal?

YES >> GO TO 4.

NO >> Check the harness and repair or replace (if shield line or PCB harness is short) the root cause.

4. CHECK ECM AND IPDM E/R TERMINATION CIRCUIT

1. Remove the ECM and the IPDM E/R.
2. Check the resistance between the ECM terminals.
 - VQ37VHR

ECM		Resistance (Ω)
Terminal No.		
114	113	Approx. 108 – 132

- VK56VD

ECM		Resistance (Ω)
Terminal No.		
146	151	Approx. 108 – 132

3. Check the resistance between the IPDM E/R terminals.

A
B
C
D
E
F
G
H
I
J
K
L
N
O
P

LAN

CAN COMMUNICATION CIRCUIT 1

< DTC/CIRCUIT DIAGNOSIS >

[CAN SYSTEM (TYPE 3)]

IPDM E/R		Resistance (Ω)
Terminal No.		
40	39	Approx. 108 – 132

Is the measurement value within the specification?

YES >> GO TO 5.

NO >> Replace the ECM and/or the IPDM E/R.

5.CHECK SYMPTOM

Connect all the connectors. Check if the symptoms described in the “Symptom (Results from interview with customer)” are reproduced.

Inspection result

Reproduced>>GO TO 6.

Non-reproduced>>Start the diagnosis again. Follow the trouble diagnosis procedure when past error is detected.

6.CHECK UNIT REPRODUCTION

Perform the reproduction test as per the following procedure for each unit.

1. Turn the ignition switch OFF.
2. Disconnect the battery cable from the negative terminal.
3. Disconnect one of the unit connectors of CAN communication circuit 1.

NOTE:

ECM and IPDM E/R have a termination circuit. Check other units first.

4. Connect the battery cable to the negative terminal. Check if the symptoms described in the “Symptom (Results from interview with customer)” are reproduced.

NOTE:

Although unit-related error symptoms occur, do not confuse them with other symptoms.

Inspection result

Reproduced>>Connect the connector. Check other units as per the above procedure.

Non-reproduced>>Replace the unit whose connector was disconnected.

CAN COMMUNICATION CIRCUIT 2

< DTC/CIRCUIT DIAGNOSIS >

[CAN SYSTEM (TYPE 3)]

CAN COMMUNICATION CIRCUIT 2

Diagnosis Procedure

INFOID:00000000688831

1. CONNECTOR INSPECTION

1. Turn the ignition switch OFF.
2. Disconnect the battery cable from the negative terminal.
3. Disconnect all the unit connectors on CAN communication circuit 2.

NOTE:

For identification of CAN communication circuit 1, CAN communication circuit 2, and ITS communication circuit, refer to [LAN-47. "System Diagram"](#).

4. Check terminals and connectors for damage, bend and loose connection.

Is the inspection result normal?

YES >> GO TO 2.

NO >> Repair the terminal and connector.

2. CHECK HARNESS CONTINUITY (SHORT CIRCUIT)

Check the continuity between the data link connector terminals.

Data link connector		Continuity
Connector No.	Terminal No.	
M182	13	Not existed
	12	

Is the inspection result normal?

YES >> GO TO 3.

NO >> Check the harness and repair or replace (if shield line or PCB harness is short) the root cause.

3. CHECK HARNESS CONTINUITY (SHORT CIRCUIT)

Check the continuity between the data link connector and the ground.

Data link connector		Ground	Continuity
Connector No.	Terminal No.		
M182	13		Not existed
	12		Not existed

Is the inspection result normal?

YES >> GO TO 4.

NO >> Check the harness and repair or replace (if shield line or PCB harness is short) the root cause.

4. CHECK CAN GATEWAY TERMINATION CIRCUIT

1. Remove the CAN gateway.
2. Check the resistance between the CAN gateway terminals.

CAN gateway		Resistance (Ω)
Terminal No.		
4	10	Approx. 108 – 132
6	12	Approx. 108 – 132

Is the measurement value within the specification?

YES >> GO TO 5.

NO >> Replace the CAN gateway.

5. CHECK SYMPTOM

Connect all the connectors. Check if the symptoms described in the "Symptom (Results from interview with customer)" are reproduced.

Inspection result

Reproduced >> GO TO 6.

A
B
C
D
E
F
G
H
I
J
K
L

LAN

N
O
P

CAN COMMUNICATION CIRCUIT 2

< DTC/CIRCUIT DIAGNOSIS >

[CAN SYSTEM (TYPE 3)]

Non-reproduced>>Start the diagnosis again. Follow the trouble diagnosis procedure when past error is detected.

6.CHECK UNIT REPRODUCTION

Perform the reproduction test as per the following procedure for each unit.

1. Turn the ignition switch OFF.
2. Disconnect the battery cable from the negative terminal.
3. Disconnect one of the unit connectors of CAN communication circuit 2.

NOTE:

CAN gateway has two termination circuits. Check other units first.

4. Connect the battery cable to the negative terminal. Check if the symptoms described in the “Symptom (Results from interview with customer)” are reproduced.

NOTE:

Although unit-related error symptoms occur, do not confuse them with other symptoms.

Inspection result

Reproduced>>Connect the connector. Check other units as per the above procedure.

Non-reproduced>>Replace the unit whose connector was disconnected.

ITS COMMUNICATION CIRCUIT

Diagnosis Procedure

INFOID:000000007219048

1. CHECK CAN DIAGNOSIS

Check the CAN diagnosis results from CONSULT to see that the CAN communication circuit 1 and CAN communication circuit 2 have no malfunction.

NOTE:

For identification of CAN communication circuit 1, CAN communication circuit 2, and ITS communication circuit, refer to [LAN-47. "System Diagram"](#).

Are the CAN communication 1 and CAN communication 2 circuits normal?

YES >> GO TO 2.

NO >> Check and repair CAN communication circuit 1 and/or CAN communication circuit 2.

2. CONNECTOR INSPECTION

1. Turn the ignition switch OFF.
2. Disconnect the battery cable from the negative terminal.
3. Check the terminals and connectors of the ADAS control unit for damage, bend and loose connection (unit side and connector side).

Is the inspection result normal?

YES >> GO TO 3.

NO >> Repair the terminal and connector.

3. CHECK HARNESS CONTINUITY (OPEN CIRCUIT)

1. Disconnect the following harness connectors.
 - ADAS control unit
 - ICC sensor
2. Check the continuity between the ADAS control unit harness connector and the ICC sensor harness connector.

ADAS control unit harness connector		ICC sensor harness connector		Continuity
Connector No.	Terminal No.	Connector No.	Terminal No.	
B50	7	E67	3	Existed
	8		6	Existed

Is the inspection result normal?

YES >> GO TO 4.

NO >> Replace the body harness.

4. CHECK HARNESS CONTINUITY (SHORT CIRCUIT)

1. Disconnect the following harness connectors.
 - Side radar LH
 - Side radar RH
 - Accelerator pedal actuator
 - Lane camera unit
2. Check the continuity between the ADAS control unit harness connector terminals.

ADAS control unit harness connector			Continuity
Connector No.	Terminal No.		
B50	7	8	Not existed

Is the inspection result normal?

YES >> GO TO 5.

NO >> Check the harness and repair or replace (if shield line or PCB harness is short) the root cause.

5. CHECK HARNESS CONTINUITY (SHORT CIRCUIT)

Check the continuity between the ADAS control unit harness connector and the ground.

A
B
C
D
E
F
G
H
I
J
K
L
N
O
P

LAN

ITS COMMUNICATION CIRCUIT

< DTC/CIRCUIT DIAGNOSIS >

[CAN SYSTEM (TYPE 3)]

ADAS control unit harness connector		Ground	Continuity
Connector No.	Terminal No.		
B50	7		Not existed
	8	Not existed	

Is the inspection result normal?

YES >> GO TO 6.

NO >> Check the harness and repair or replace (if shield line or PCB harness is short) the root cause.

6.CHECK TERMINATION CIRCUIT

1. Remove the ADAS control unit and the ICC sensor.
2. Check the resistance between the ADAS control unit terminals.

ADAS control unit		Resistance (Ω)
Terminal No.		
7	8	Approx. 108 – 132

3. Check the resistance between the ICC sensor terminals.

ICC sensor		Resistance (Ω)
Terminal No.		
3	6	Approx. 108 – 132

Is the inspection result normal?

YES >> GO TO 7.

NO >> Replace the ADAS control unit and/or the ICC sensor.

7.CHECK SYMPTOM

Connect all the connectors. Check if the symptoms described in the “Symptom (Results from interview with customer)” are reproduced.

Inspection result

Reproduced>>GO TO 8.

Non-reproduced>>Start the diagnosis again. Follow the trouble diagnosis procedure when past error is detected.

8.CHECK UNIT REPRODUCTION

Perform the reproduction test as per the following procedure for each unit.

1. Turn the ignition switch OFF.
2. Disconnect the battery cable from the negative terminal.
3. Disconnect one of the unit connectors of ITS communication system.

NOTE:

ADAS control unit and ICC sensor have a termination circuit. Check other units first.

4. Connect the battery cable to the negative terminal. Check if the symptoms described in the “Symptom (Results from interview with customer)” are reproduced.

NOTE:

Although unit-related error symptoms occur, do not confuse them with other symptoms.

Inspection result

Reproduced>>Connect the connector. Check other units as per the above procedure.

Non-reproduced>>Replace the unit whose connector was disconnected.

MAIN LINE BETWEEN TPMS AND HVAC CIRCUIT

< DTC/CIRCUIT DIAGNOSIS >

[CAN SYSTEM (TYPE 4)]

DTC/CIRCUIT DIAGNOSIS

MAIN LINE BETWEEN TPMS AND HVAC CIRCUIT

Diagnosis Procedure

INFOID:000000006888833

1. CHECK HARNESS CONTINUITY (OPEN CIRCUIT)

1. Turn the ignition switch OFF.
2. Disconnect the battery cable from the negative terminal.
3. Disconnect the following harness connectors.
 - ECM
 - Low tire pressure warning control unit
 - A/C auto amp.
4. Check the continuity between the low tire pressure warning control unit harness connector and the A/C auto amp. harness connector.

Low tire pressure warning control unit harness connector		A/C auto amp. harness connector		Continuity
Connector No.	Terminal No.	Connector No.	Terminal No.	
M43	2	M66	12	Existed
	1		11	Existed

Is the inspection result normal?

YES (Present error)>>Check CAN system type decision again.

YES (Past error)>>Error was detected in the main line between the low tire pressure warning control unit and the A/C auto amp.

NO >> Replace the PCB harness.

A
B
C
D
E
F
G
H
I
J
K
L

LAN

N
O
P

MAIN LINE BETWEEN HVAC AND A-BAG CIRCUIT

< DTC/CIRCUIT DIAGNOSIS >

[CAN SYSTEM (TYPE 4)]

MAIN LINE BETWEEN HVAC AND A-BAG CIRCUIT

Diagnosis Procedure

INFOID:00000000688834

1. CHECK HARNESS CONTINUITY (OPEN CIRCUIT)

1. Turn the ignition switch OFF.
2. Disconnect the battery cable from the negative terminal.
3. Disconnect the following harness connectors.
 - ECM
 - A/C auto amp.
 - AV control unit
4. Check the continuity between the A/C auto amp. harness connector and the AV control unit harness connector.
 - Models with navigation system

A/C auto amp. harness connector		AV control unit harness connector		Continuity
Connector No.	Terminal No.	Connector No.	Terminal No.	
M66	12	M210	90	Existed
	11		74	Existed

- Models without navigation system

A/C auto amp. harness connector		AV control unit harness connector		Continuity
Connector No.	Terminal No.	Connector No.	Terminal No.	
M66	12	M84	81	Existed
	11		80	Existed

Is the inspection result normal?

YES (Present error)>>Check CAN system type decision again.

YES (Past error)>>Error was detected in the main line between the A/C auto amp. and the air bag diagnosis sensor unit.

NO >> Replace the PCB harness.

MAIN LINE BETWEEN A-BAG AND AV CIRCUIT

< DTC/CIRCUIT DIAGNOSIS >

[CAN SYSTEM (TYPE 4)]

MAIN LINE BETWEEN A-BAG AND AV CIRCUIT

Diagnosis Procedure

INFOID:000000006888835

1. CHECK HARNESS CONTINUITY (OPEN CIRCUIT)

1. Turn the ignition switch OFF.
2. Disconnect the battery cable from the negative terminal.
3. Disconnect the following harness connectors.
 - ECM
 - A/C auto amp.
 - AV control unit
4. Check the continuity between the A/C auto amp. harness connector and the AV control unit harness connector.
 - Models with navigation system

A/C auto amp. harness connector		AV control unit harness connector		Continuity
Connector No.	Terminal No.	Connector No.	Terminal No.	
M66	12	M210	90	Existed
	11		74	Existed

- Models without navigation system

A/C auto amp. harness connector		AV control unit harness connector		Continuity
Connector No.	Terminal No.	Connector No.	Terminal No.	
M66	12	M84	81	Existed
	11		80	Existed

Is the inspection result normal?

YES (Present error)>>Check CAN system type decision again.

YES (Past error)>>Error was detected in the main line between the air bag diagnosis sensor unit and the AV control unit.

NO >> Replace the PCB harness.

A
B
C
D
E
F
G
H
I
J
K
L

LAN

N
O
P

MAIN LINE BETWEEN AV AND M&A CIRCUIT

< DTC/CIRCUIT DIAGNOSIS >

[CAN SYSTEM (TYPE 4)]

MAIN LINE BETWEEN AV AND M&A CIRCUIT

Diagnosis Procedure

INFOID:00000000688836

1. CHECK HARNESS CONTINUITY (OPEN CIRCUIT)

1. Turn the ignition switch OFF.
2. Disconnect the battery cable from the negative terminal.
3. Disconnect the following harness connectors.
 - ECM
 - AV control unit
 - Combination meter
4. Check the continuity between the AV control unit harness connector and the combination meter harness connector.
 - Models with navigation system

AV control unit harness connector		Combination meter harness connector		Continuity
Connector No.	Terminal No.	Connector No.	Terminal No.	
M210	90	M53	14	Existed
	74		15	Existed

- Models without navigation system

AV control unit harness connector		Combination meter harness connector		Continuity
Connector No.	Terminal No.	Connector No.	Terminal No.	
M84	81	M53	14	Existed
	80		15	Existed

Is the inspection result normal?

YES (Present error)>>Check CAN system type decision again.

YES (Past error)>>Error was detected in the main line between the AV control unit and the combination meter.

NO >> Replace the PCB harness.

MAIN LINE BETWEEN M&A AND DLC CIRCUIT

< DTC/CIRCUIT DIAGNOSIS >

[CAN SYSTEM (TYPE 4)]

MAIN LINE BETWEEN M&A AND DLC CIRCUIT

Diagnosis Procedure

INFOID:00000000688837

1. CHECK HARNESS CONTINUITY (OPEN CIRCUIT)

1. Turn the ignition switch OFF.
2. Disconnect the battery cable from the negative terminal.
3. Disconnect the following harness connectors.
 - ECM
 - Combination meter
 - Harness connectors M105 and M181
4. Check the continuity between the combination meter harness connector and the harness connector.

Combination meter harness connector		Harness connector		Continuity
Connector No.	Terminal No.	Connector No.	Terminal No.	
M53	14	M105	7	Existed
	15		8	Existed

Is the inspection result normal?

YES (Present error)>>Check CAN system type decision again.

YES (Past error)>>Error was detected in the main line between the combination meter and the data link connector.

NO >> Replace the PCB harness.

A
B
C
D
E
F
G
H
I
J
K
L

LAN

N
O
P

MAIN LINE BETWEEN DLC AND BCM CIRCUIT

< DTC/CIRCUIT DIAGNOSIS >

[CAN SYSTEM (TYPE 4)]

MAIN LINE BETWEEN DLC AND BCM CIRCUIT

Diagnosis Procedure

INFOID:00000000688838

1. CHECK HARNESS CONTINUITY (OPEN CIRCUIT)

1. Turn the ignition switch OFF.
2. Disconnect the battery cable from the negative terminal.
3. Disconnect the following harness connectors.
 - ECM
 - Harness connectors M181 and M105
 - BCM
4. Check the continuity between the harness connector and the BCM harness connector.

Harness connector		BCM harness connector		Continuity
Connector No.	Terminal No.	Connector No.	Terminal No.	
M105	7	M120	39	Existed
	8		40	Existed

Is the inspection result normal?

YES (Present error)>>Check CAN system type decision again.

YES (Past error)>>Error was detected in the main line between the data link connector and the BCM.

NO >> Replace the PCB harness.

MAIN LINE BETWEEN BCM AND RAS CIRCUIT

< DTC/CIRCUIT DIAGNOSIS >

[CAN SYSTEM (TYPE 4)]

MAIN LINE BETWEEN BCM AND RAS CIRCUIT

Diagnosis Procedure

INFOID:00000000688839

1.CHECK CONNECTOR

1. Turn the ignition switch OFF.
2. Disconnect the battery cable from the negative terminal.
3. Check the following terminals and connectors for damage, bend and loose connection (connector side and harness side).
 - Harness connector M20 and PCB harness side connector
 - Harness connector M7
 - Harness connector B1

Is the inspection result normal?

- YES >> GO TO 2.
 NO >> Repair the terminal and connector.

2.CHECK HARNESS CONTINUITY (OPEN CIRCUIT)

1. Disconnect the following harness connectors.
 - BCM
 - Harness connector M20
2. Check the continuity between the BCM harness connector and the PCB harness connector.

BCM harness connector		PCB harness connector		Continuity
Connector No.	Terminal No.	Terminal No.		
M120	39	35		Existed
	40	36		Existed

Is the inspection result normal?

- YES >> GO TO 3.
 NO >> Replace the PCB harness.

3.CHECK HARNESS CONTINUITY (OPEN CIRCUIT)

1. Disconnect the harness connectors M7 and B1.
2. Check the continuity between the harness connectors.

Harness connector		Harness connector		Continuity
Connector No.	Terminal No.	Connector No.	Terminal No.	
M20	35	M7	72	Existed
	36		73	Existed

Is the inspection result normal?

- YES >> GO TO 4.
 NO >> Repair the main line between the harness connectors M20 and M7.

4.CHECK HARNESS CONTINUITY (OPEN CIRCUIT)

Check the continuity between the harness connector terminals.

Connector No.	Terminal No.		Continuity
B1	72	74	Existed
	73	75	Existed

Is the inspection result normal?

- YES (Present error)>>Check CAN system type decision again.
 YES (Past error)>>Error was detected in the main line between the BCM and the 4WAS main control unit.
 NO >> Replace the body harness.

A
B
C
D
E
F
G
H
I
J
K
L
N
O
P

LAN

MAIN LINE BETWEEN RAS AND ABS CIRCUIT

< DTC/CIRCUIT DIAGNOSIS >

[CAN SYSTEM (TYPE 4)]

MAIN LINE BETWEEN RAS AND ABS CIRCUIT

Diagnosis Procedure

INFOID:00000000688840

1. CHECK CONNECTOR

1. Turn the ignition switch OFF.
2. Disconnect the battery cable from the negative terminal.
3. Check the following terminals and connectors for damage, bend and loose connection (connector side and harness side).
 - Harness connector B1
 - Harness connector M7
 - Harness connector M6
 - Harness connector E106

Is the inspection result normal?

YES >> GO TO 2.

NO >> Repair the terminal and connector.

2. CHECK HARNESS CONTINUITY (OPEN CIRCUIT)

1. Disconnect the harness connectors B1 and M7.
2. Check the continuity between the harness connector terminals.

Connector No.	Terminal No.		Continuity
B1	72	74	Existed
	73	75	Existed

Is the inspection result normal?

YES >> GO TO 3.

NO >> Replace the body harness.

3. CHECK HARNESS CONTINUITY (OPEN CIRCUIT)

1. Disconnect the harness connectors M6 and E106.
2. Check the continuity between the harness connectors.

Harness connector		Harness connector		Continuity
Connector No.	Terminal No.	Connector No.	Terminal No.	
M7	74	M6	22	Existed
	75		23	Existed

Is the inspection result normal?

YES >> GO TO 4.

NO >> Repair the main line between the harness connectors M7 and M6.

4. CHECK HARNESS CONTINUITY (OPEN CIRCUIT)

1. Disconnect the connector of ABS actuator and electric unit (control unit).
2. Check the continuity between the harness connector and the ABS actuator and electric unit (control unit) harness connector.

Harness connector		ABS actuator and electric unit (control unit) harness connector		Continuity
Connector No.	Terminal No.	Connector No.	Terminal No.	
E106	22	E41	25	Existed
	23		15	Existed

Is the inspection result normal?

YES (Present error)>>Check CAN system type decision again.

YES (Past error)>>Error was detected in the main line between the 4WAS main control unit and the ABS actuator and electric unit (control unit).

MAIN LINE BETWEEN RAS AND ABS CIRCUIT

< DTC/CIRCUIT DIAGNOSIS >

[CAN SYSTEM (TYPE 4)]

NO >> Repair the main line between the harness connector E106 and the ABS actuator and electric unit (control unit).

A

B

C

D

E

F

G

H

I

J

K

L

LAN

N

O

P

MAIN LINE BETWEEN DLC AND ADP CIRCUIT

< DTC/CIRCUIT DIAGNOSIS >

[CAN SYSTEM (TYPE 4)]

MAIN LINE BETWEEN DLC AND ADP CIRCUIT

Diagnosis Procedure

INFOID:000000007205545

1.CHECK CONNECTOR

1. Turn the ignition switch OFF.
2. Disconnect the battery cable from the negative terminal.
3. Check the following terminals and connectors for damage, bend and loose connection (connector side and harness side).
 - Harness connector M20 and PCB harness side connector
 - Harness connector M7
 - Harness connector B1

Is the inspection result normal?

YES >> GO TO 2.

NO >> Repair the terminal and connector.

2.CHECK HARNESS CONTINUITY (OPEN CIRCUIT)

1. Disconnect the harness connector M20.
2. Check the continuity between the data link connector and the PCB harness connector.

Data link connector		PCB harness connector		Continuity
Connector No.	Terminal No.	Terminal No.		
M182	13	24		Existed
	12	27		Existed

Is the inspection result normal?

YES >> GO TO 3.

NO >> Replace the PCB harness.

3.CHECK HARNESS CONTINUITY (OPEN CIRCUIT)

1. Disconnect the harness connectors M7 and B1.
2. Check the continuity between the harness connectors.

Harness connector		Harness connector		Continuity
Connector No.	Terminal No.	Connector No.	Terminal No.	
M20	24	M7	34	Existed
	27		35	Existed

Is the inspection result normal?

YES >> GO TO 4.

NO >> Repair the main line between the harness connectors M20 and M7.

4.CHECK HARNESS CONTINUITY (OPEN CIRCUIT)

Check the continuity between the harness connector terminals.

Connector No.	Terminal No.		Continuity
B1	34	32	Existed
	35	33	Existed

Is the inspection result normal?

YES (Present error)>>Check CAN system type decision again.

YES (Past error)>>Error was detected in the main line between the data link connector and the driver seat control unit.

NO >> Replace the body harness.

MAIN LINE BETWEEN RDR-L AND RDR-R CIRCUIT

< DTC/CIRCUIT DIAGNOSIS >

[CAN SYSTEM (TYPE 4)]

MAIN LINE BETWEEN RDR-L AND RDR-R CIRCUIT

Diagnosis Procedure

INFOID:00000000688841

1.CHECK CONNECTOR

1. Turn the ignition switch OFF.
2. Disconnect the battery cable from the negative terminal.
3. Check the following terminals and connectors for damage, bend and loose connection (connector side and harness side).
 - Harness connector B33
 - Harness connector B245

Is the inspection result normal?

YES >> GO TO 2.

NO >> Repair the terminal and connector.

2.CHECK HARNESS CONTINUITY (OPEN CIRCUIT)

1. Disconnect the following harness connectors.
 - Side radar LH
 - Harness connectors B33 and B245
2. Check the continuity between the side radar LH harness connector and the harness connector.

Side radar LH harness connector		Harness connector		Continuity
Connector No.	Terminal No.	Connector No.	Terminal No.	
B52	4	B33	13	Existed
	3		14	Existed

Is the inspection result normal?

YES >> GO TO 3.

NO >> Repair the main line between the side radar LH and the harness connector B33.

3.CHECK HARNESS CONTINUITY (OPEN CIRCUIT)

1. Disconnect the connector of side radar RH.
2. Check the continuity between the harness connector and the side radar RH harness connector.

Harness connector		Side radar RH harness connector		Continuity
Connector No.	Terminal No.	Connector No.	Terminal No.	
B245	13	B252	4	Existed
	14		3	Existed

Is the inspection result normal?

YES (Present error)>>Check CAN system type decision again.

YES (Past error)>>Error was detected in the main line between the side radar LH and the side radar RH.

NO >> Repair the main line between the harness connector B245 and the side radar RH.

A
B
C
D
E
F
G
H
I
J
K
L
N
O
P

LAN

MAIN LINE BETWEEN RDR-R AND APA CIRCUIT

< DTC/CIRCUIT DIAGNOSIS >

[CAN SYSTEM (TYPE 4)]

MAIN LINE BETWEEN RDR-R AND APA CIRCUIT

Diagnosis Procedure

INFOID:00000000688842

1.CHECK CONNECTOR

1. Turn the ignition switch OFF.
2. Disconnect the battery cable from the negative terminal.
3. Check the following terminals and connectors for damage, bend and loose connection (connector side and harness side).
 - Harness connector B201
 - Harness connector M117
 - Harness connector M20 and PCB harness side connector

Is the inspection result normal?

YES >> GO TO 2.

NO >> Repair the terminal and connector.

2.CHECK HARNESS CONTINUITY (OPEN CIRCUIT)

1. Disconnect the following harness connectors.
 - Side radar RH
 - Harness connectors B201 and M117
2. Check the continuity between the side radar RH harness connector and the harness connector.

Side radar RH harness connector		Harness connector		Continuity
Connector No.	Terminal No.	Connector No.	Terminal No.	
B252	4	B201	66	Existed
	3		67	Existed

Is the inspection result normal?

YES >> GO TO 3.

NO >> Repair the main line between the side radar RH and the harness connector B201.

3.CHECK HARNESS CONTINUITY (OPEN CIRCUIT)

1. Disconnect the harness connector M20.
2. Check the continuity between the harness connectors.

Harness connector		Harness connector		Continuity
Connector No.	Terminal No.	Connector No.	Terminal No.	
M117	66	M20	38	Existed
	67		40	Existed

Is the inspection result normal?

YES >> GO TO 4.

NO >> Repair the main line between the harness connectors M117 and M20.

4.CHECK HARNESS CONTINUITY (OPEN CIRCUIT)

1. Disconnect the harness connectors M150 and M151.
2. Check the continuity between the PCB harness connector and the harness connector.

PCB harness connector		Harness connector		Continuity
Terminal No.	Terminal No.	Connector No.	Terminal No.	
38		M150	11	Existed
40			10	Existed

Is the inspection result normal?

YES (Present error)>>Check CAN system type decision again.

YES (Past error)>>Error was detected in the main line between the side radar RH and the accelerator pedal actuator.

MAIN LINE BETWEEN RDR-R AND APA CIRCUIT

< DTC/CIRCUIT DIAGNOSIS >

[CAN SYSTEM (TYPE 4)]

NO >> Replace the PCB harness.

A

B

C

D

E

F

G

H

I

J

K

L

LAN

N

O

P

MAIN LINE BETWEEN APA AND LANE CIRCUIT

< DTC/CIRCUIT DIAGNOSIS >

[CAN SYSTEM (TYPE 4)]

MAIN LINE BETWEEN APA AND LANE CIRCUIT

Diagnosis Procedure

INFOID:00000000688843

1. CHECK HARNESS CONTINUITY (OPEN CIRCUIT)

1. Turn the ignition switch OFF.
2. Disconnect the battery cable from the negative terminal.
3. Disconnect the following harness connectors.
 - ADAS control unit
 - Harness connectors M151 and M150
 - Harness connectors M110 and R7
4. Check the continuity between the harness connectors.

Harness connector		Harness connector		Continuity
Connector No.	Terminal No.	Connector No.	Terminal No.	
M150	11	M110	13	Existed
	10		2	Existed

Is the inspection result normal?

YES (Present error)>>Check CAN system type decision again.

YES (Past error)>>Error was detected in the main line between the accelerator pedal actuator and the lane camera unit.

NO >> Replace the PCB harness.

ECM BRANCH LINE CIRCUIT

< DTC/CIRCUIT DIAGNOSIS >

[CAN SYSTEM (TYPE 4)]

ECM BRANCH LINE CIRCUIT

Diagnosis Procedure

INFOID:000000007217829

1. CHECK CONNECTOR

1. Turn the ignition switch OFF.
2. Disconnect the battery cable from the negative terminal.
3. Check the following terminals and connectors for damage, bend and loose connection (unit side and connector side).
 - ECM
 - Harness connector M30 and PCB harness side connector

Is the inspection result normal?

- YES >> GO TO 2.
NO >> Repair the terminal and connector.

2. CHECK HARNESS FOR OPEN CIRCUIT

1. Disconnect the connector of ECM.
2. Check the resistance between the ECM harness connector terminals.
 - VQ37VHR

ECM harness connector			Resistance (Ω)
Connector No.	Terminal No.		
M107	114	113	Approx. 108 – 132

- VK56VD

ECM harness connector			Resistance (Ω)
Connector No.	Terminal No.		
M160	146	151	Approx. 108 – 132

Is the measurement value within the specification?

- YES >> GO TO 3.
NO >> GO TO 4.

3. CHECK POWER SUPPLY AND GROUND CIRCUIT

Check the power supply and the ground circuit of the ECM. Refer to the following.

- VQ37VHR for USA and Canada: [EC-180, "Diagnosis Procedure"](#)
- VQ37VHR for Mexico: [EC-682, "Diagnosis Procedure"](#)
- VK56VD for USA and Canada: [EC-1149, "Diagnosis Procedure"](#)
- VK56VD for Mexico: [EC-1707, "Diagnosis Procedure"](#)

Is the inspection result normal?

- YES (Present error)>>Replace the ECM. Refer to the following.
- VQ37VHR for USA and Canada: [EC-543, "Removal and Installation"](#)
 - VQ37VHR for Mexico: [EC-980, "Removal and Installation"](#)
 - VK56VD for USA and Canada: [EC-1553, "Removal and Installation"](#)
 - VK56VD for Mexico: [EC-2013, "Removal and Installation"](#)

YES (Past error)>>Error was detected in the ECM branch line.

- NO >> Repair the power supply and the ground circuit.

4. CHECK HARNESS CONTINUITY (OPEN CIRCUIT)

1. Disconnect the harness connector M30.
2. Check the continuity between the ECM harness connector and the harness connector.
 - VQ37VHR

ECM harness connector		Harness connector		Continuity
Connector No.	Terminal No.	Connector No.	Terminal No.	

ECM BRANCH LINE CIRCUIT

< DTC/CIRCUIT DIAGNOSIS >

[CAN SYSTEM (TYPE 4)]

M107	114	M30	439	Existed
	113		438	Existed

- VK56VD

ECM harness connector		Harness connector		Continuity
Connector No.	Terminal No.	Connector No.	Terminal No.	
M160	146	M30	439	Existed
	151		438	Existed

Is the inspection result normal?

YES >> Replace the PCB harness.

NO (VQ37VHR)>>Repair the harness between the ECM harness connector M107 and the harness connector M30.

NO (VK56VD)>>Repair the harness between the ECM harness connector M160 and the harness connector M30.

TPMS BRANCH LINE CIRCUIT

< DTC/CIRCUIT DIAGNOSIS >

[CAN SYSTEM (TYPE 4)]

TPMS BRANCH LINE CIRCUIT

Diagnosis Procedure

INFOID:000000007217830

1. CHECK CONNECTOR

1. Turn the ignition switch OFF.
2. Disconnect the battery cable from the negative terminal.
3. Check the following terminals and connectors for damage, bend and loose connection (unit side and connector side).
 - Low tire pressure warning control unit
 - Harness connector M29 and PCB harness side connector

Is the inspection result normal?

- YES >> GO TO 2.
NO >> Repair the terminal and connector.

2. CHECK HARNESS FOR OPEN CIRCUIT

1. Disconnect the connector of low tire pressure warning control unit.
2. Check the resistance between the low tire pressure warning control unit harness connector terminals.

Low tire pressure warning control unit harness connector			Resistance (Ω)
Connector No.	Terminal No.		
M43	2	1	Approx. 54 – 66

Is the measurement value within the specification?

- YES >> GO TO 3.
NO >> GO TO 4.

3. CHECK POWER SUPPLY AND GROUND CIRCUIT

Check the power supply and the ground circuit of the low tire pressure warning control unit. Refer to [WT-43. "Diagnosis Procedure"](#).

Is the inspection result normal?

- YES (Present error)>>Replace the low tire pressure warning control unit. Refer to [WT-58. "Removal and Installation"](#).
YES (Past error)>>Error was detected in the low tire pressure warning control unit branch line.
NO >> Repair the power supply and the ground circuit.

4. CHECK HARNESS CONTINUITY (OPEN CIRCUIT)

1. Disconnect the harness connector M29.
2. Check the continuity between the low tire pressure warning control unit harness connector and the harness connector.

Low tire pressure warning control unit harness connector		Harness connector		Continuity
Connector No.	Terminal No.	Connector No.	Terminal No.	
M43	2	M29	396	Existed
	1		395	Existed

Is the inspection result normal?

- YES >> Replace the PCB harness.
NO >> Repair the harness between the low tire pressure warning control unit harness connector M43 and the harness connector M29.

A
B
C
D
E
F
G
H
I
J
K
L
N
O
P

LAN

CGW BRANCH LINE CIRCUIT (CAN COMMUNICATION CIRCUIT 1)

< DTC/CIRCUIT DIAGNOSIS >

[CAN SYSTEM (TYPE 4)]

CGW BRANCH LINE CIRCUIT (CAN COMMUNICATION CIRCUIT 1)

Diagnosis Procedure

INFOID:000000007205634

1. CHECK DTC

Check DTC of the CAN gateway with CONSULT.

Is U1010 or B2600 indicated?

- YES >> Perform a diagnosis of the indicated DTC.
- NO >> GO TO 2.

2. CHECK CONNECTOR

1. Turn the ignition switch OFF.
2. Disconnect the battery cable from the negative terminal.
3. Check the following terminals and connectors for damage, bend and loose connection (unit side and connector side).
 - CAN gateway
 - Harness connector M28 and PCB harness side connector

Is the inspection result normal?

- YES >> GO TO 3.
- NO >> Repair the terminal and connector.

3. CHECK HARNESS FOR OPEN CIRCUIT

1. Disconnect the connector of CAN gateway.
2. Check the resistance between the CAN gateway harness connector terminals.

CAN gateway harness connector			Resistance (Ω)
Connector No.	Terminal No.		
M125	1	7	Approx. 54 – 66

Is the measurement value within the specification?

- YES >> GO TO 4.
- NO >> GO TO 5.

4. CHECK POWER SUPPLY AND GROUND CIRCUIT

Check the power supply and the ground circuit of the CAN gateway. Refer to [LAN-122, "Diagnosis Procedure"](#).

Is the inspection result normal?

- YES (Present error)>>Replace the CAN gateway. Refer to [LAN-123, "Removal and Installation"](#).
- YES (Past error)>>Error was detected in the CAN gateway branch line (CAN communication circuit 1 side). Refer to [LAN-47, "System Diagram"](#).
- NO >> Repair the power supply and the ground circuit.

5. CHECK HARNESS CONTINUITY (OPEN CIRCUIT)

1. Disconnect the harness connector M28.
2. Check the continuity between the CAN gateway harness connector and the harness connector.

CAN gateway harness connector		Harness connector		Continuity
Connector No.	Terminal No.	Connector No.	Terminal No.	
M125	1	M28	326	Existed
	7		328	Existed

Is the inspection result normal?

- YES >> Replace the PCB harness.
- NO >> Repair the harness between the CAN gateway harness connector M125 and the harness connector M28.

CGW BRANCH LINE CIRCUIT (CAN COMMUNICATION CIRCUIT 2)

< DTC/CIRCUIT DIAGNOSIS >

[CAN SYSTEM (TYPE 4)]

CGW BRANCH LINE CIRCUIT (CAN COMMUNICATION CIRCUIT 2)

Diagnosis Procedure

INFOID:000000007205635

1. CHECK DTC

Check DTC of the CAN gateway with CONSULT.

Is U1010 or B2600 indicated?

YES >> Perform a diagnosis of the indicated DTC.

NO >> GO TO 2.

2. CHECK CONNECTOR

1. Turn the ignition switch OFF.
2. Disconnect the battery cable from the negative terminal.
3. Check the following terminals and connectors for damage, bend and loose connection (unit side and connector side).
 - CAN gateway
 - Harness connector M23 and PCB harness side connector

Is the inspection result normal?

YES >> GO TO 3.

NO >> Repair the terminal and connector.

3. CHECK HARNESS CONTINUITY (OPEN CIRCUIT)

1. Disconnect the connector of CAN gateway.
2. Check the continuity between the CAN gateway harness connector terminals.

CAN gateway harness connector			Continuity
Connector No.	Terminal No.		
M125	4	6	Existed
	10	12	Existed

Is the inspection result normal?

YES >> GO TO 4.

NO >> GO TO 5.

4. CHECK POWER SUPPLY AND GROUND CIRCUIT

Check the power supply and the ground circuit of the CAN gateway. Refer to [LAN-122, "Diagnosis Procedure"](#).

Is the inspection result normal?

YES (Present error)>>Replace the CAN gateway. Refer to [LAN-123, "Removal and Installation"](#).

YES (Past error)>>Error was detected in the CAN gateway branch line (CAN communication circuit 2 side). Refer to [LAN-47, "System Diagram"](#).

NO >> Repair the power supply and the ground circuit.

5. CHECK HARNESS CONTINUITY (OPEN CIRCUIT)

1. Disconnect the harness connector M23.
2. Check the continuity between the CAN gateway harness connector and the harness connector.

CAN gateway harness connector		Harness connector		Continuity
Connector No.	Terminal No.	Connector No.	Terminal No.	
M125	4	M23	133	Existed
	10		135	Existed

Is the inspection result normal?

YES >> Replace the PCB harness.

NO >> Repair the harness between the CAN gateway harness connector M125 and the harness connector M23.

HVAC BRANCH LINE CIRCUIT

< DTC/CIRCUIT DIAGNOSIS >

[CAN SYSTEM (TYPE 4)]

HVAC BRANCH LINE CIRCUIT

Diagnosis Procedure

INFOID:00000000688848

1. CHECK CONNECTOR

1. Turn the ignition switch OFF.
2. Disconnect the battery cable from the negative terminal.
3. Check the following terminals and connectors for damage, bend and loose connection (unit side and connector side).
 - A/C auto amp.
 - Harness connector M28 and PCB harness side connector

Is the inspection result normal?

YES >> GO TO 2.

NO >> Repair the terminal and connector.

2. CHECK HARNESS FOR OPEN CIRCUIT

1. Disconnect the connector of A/C auto amp.
2. Check the resistance between the A/C auto amp. harness connector terminals.

A/C auto amp. harness connector			Resistance (Ω)
Connector No.	Terminal No.		
M66	12	11	Approx. 54 – 66

Is the measurement value within the specification?

YES >> GO TO 3.

NO >> GO TO 4.

3. CHECK POWER SUPPLY AND GROUND CIRCUIT

Check the power supply and the ground circuit of the A/C auto amp. Refer to [HAC-156, "A/C AUTO AMP. : Diagnosis Procedure"](#).

Is the inspection result normal?

YES (Present error)>>Replace the A/C auto amp. Refer to [HAC-190, "Removal and Installation"](#).

YES (Past error)>>Error was detected in the A/C auto amp. branch line.

NO >> Repair the power supply and the ground circuit.

4. CHECK HARNESS CONTINUITY (OPEN CIRCUIT)

1. Disconnect the harness connector M28.
2. Check the continuity between the A/C auto amp. harness connector and the harness connector.

A/C auto amp. harness connector		Harness connector		Continuity
Connector No.	Terminal No.	Connector No.	Terminal No.	
M66	12	M28	325	Existed
	11		327	Existed

Is the inspection result normal?

YES >> Replace the PCB harness.

NO >> Repair the harness between the A/C auto amp. harness connector M66 and the harness connector M28.

TCM BRANCH LINE CIRCUIT

< DTC/CIRCUIT DIAGNOSIS >

[CAN SYSTEM (TYPE 4)]

TCM BRANCH LINE CIRCUIT

Diagnosis Procedure

INFOID:000000007205644

1. CHECK CONNECTOR

1. Turn the ignition switch OFF.
2. Disconnect the battery cable from the negative terminal.
3. Check the following terminals and connectors for damage, bend and loose connection (unit side and connector side).
 - A/T assembly
 - Harness connector F103
 - Harness connector M116
 - Harness connector M28 and PCB harness side connector

Is the inspection result normal?

YES >> GO TO 2.

NO >> Repair the terminal and connector.

2. CHECK HARNESS FOR OPEN CIRCUIT

1. Disconnect the connector of A/T assembly.
2. Check the resistance between the A/T assembly harness connector terminals.

A/T assembly harness connector		Resistance (Ω)
Connector No.	Terminal No.	
F61	3 8	Approx. 54 – 66

Is the measurement value within the specification?

YES >> GO TO 3.

NO >> GO TO 5.

3. CHECK HARNESS FOR OPEN CIRCUIT

1. Remove the joint connector. Refer to [TM-181, "Exploded View"](#).
2. Check the continuity between the A/T assembly harness connector side and the TCM harness connector side of the joint connector.

A/T assembly harness connector side	TCM harness connector side	Continuity
Terminal No.	Terminal No.	
3	3	Existed
8	8	Existed

Is the inspection result normal?

YES >> GO TO 4.

NO >> Replace the joint connector.

4. CHECK POWER SUPPLY AND GROUND CIRCUIT

Check the power supply and the ground circuit of the TCM. Refer to [TM-150, "Diagnosis Procedure"](#).

Is the inspection result normal?

YES (Present error)>>Replace the control valve & TCM. Refer to [TM-181, "Exploded View"](#).

YES (Past error)>>Error was detected in the TCM branch line.

NO >> Repair the power supply and the ground circuit.

5. CHECK HARNESS CONTINUITY (OPEN CIRCUIT)

1. Disconnect the harness connector M28.
2. Check the continuity between the A/T assembly harness connector and the harness connector.

A
B
C
D
E
F
G
H
I
J
K
L
N
O
P

LAN

TCM BRANCH LINE CIRCUIT

< DTC/CIRCUIT DIAGNOSIS >

[CAN SYSTEM (TYPE 4)]

A/T assembly harness connector		Harness connector		Continuity
Connector No.	Terminal No.	Connector No.	Terminal No.	
F61	3	M28	346	Existed
	8		347	Existed

Is the inspection result normal?

YES >> Replace the PCB harness.

NO >> Repair the harness between the A/T assembly harness connector F61 and the harness connector M28.

A-BAG BRANCH LINE CIRCUIT

< DTC/CIRCUIT DIAGNOSIS >

[CAN SYSTEM (TYPE 4)]

A-BAG BRANCH LINE CIRCUIT

Diagnosis Procedure

INFOID:000000006888850

WARNING:

- Before servicing, turn ignition switch OFF, disconnect battery negative terminal, and wait 3 minutes or more. (To discharge backup capacitor.)
- Never use unspecified tester or other measuring device.

1. CHECK CONNECTOR

1. Turn the ignition switch OFF.
2. Disconnect the battery cable from the negative terminal.
3. Check the following terminals and connectors for damage, bend and loose connection (unit side and connector side).
 - Air bag diagnosis sensor unit
 - Harness connector M26 and PCB harness side connector

Is the inspection result normal?

- YES >> GO TO 2.
NO >> Replace the main harness and/or the PCB harness.

2. CHECK AIR BAG DIAGNOSIS SENSOR UNIT

Check the air bag diagnosis sensor unit. Refer to [SRC-24. "Work Flow"](#).

Is the inspection result normal?

- YES >> Replace the main harness and/or the PCB harness.
NO >> Replace parts whose air bag system has a malfunction.

A
B
C
D
E
F
G
H
I
J
K
L
N
O
P

LAN

AV BRANCH LINE CIRCUIT

< DTC/CIRCUIT DIAGNOSIS >

[CAN SYSTEM (TYPE 4)]

AV BRANCH LINE CIRCUIT

Diagnosis Procedure

INFOID:00000000688851

1. CHECK CONNECTOR

1. Turn the ignition switch OFF.
2. Disconnect the battery cable from the negative terminal.
3. Check the following terminals and connectors for damage, bend and loose connection (unit side and connector side).
 - AV control unit
 - Harness connector M25 and PCB harness side connector

Is the inspection result normal?

YES >> GO TO 2.

NO >> Repair the terminal and connector.

2. CHECK HARNESS FOR OPEN CIRCUIT

1. Disconnect the connector of AV control unit.
2. Check the resistance between the AV control unit harness connector terminals.
 - Models with navigation system

AV control unit harness connector			Resistance (Ω)
Connector No.	Terminal No.		
M210	90	74	Approx. 54 – 66

- Models without navigation system

AV control unit harness connector			Resistance (Ω)
Connector No.	Terminal No.		
M84	81	80	Approx. 54 – 66

Is the measurement value within the specification?

YES >> GO TO 3.

NO >> GO TO 4.

3. CHECK POWER SUPPLY AND GROUND CIRCUIT

Check the power supply and the ground circuit of the AV control unit. Refer to the following.

- Base audio without navigation system: [AV-72, "AV CONTROL UNIT : Diagnosis Procedure"](#)
- BOSE audio with navigation system: [AV-236, "AV CONTROL UNIT : Diagnosis Procedure"](#)

Is the inspection result normal?

YES (Present error)>>Replace the AV control unit. Refer to the following.

- Base audio without navigation system: [AV-103, "Removal and Installation"](#)
- BOSE audio with navigation system: [AV-263, "Removal and Installation"](#)

YES (Past error)>>Error was detected in the AV control unit branch line.

NO >> Repair the power supply and the ground circuit.

4. CHECK HARNESS CONTINUITY (OPEN CIRCUIT)

1. Disconnect the harness connector M25.
2. Check the continuity between the AV control unit harness connector and the harness connector.
 - Models with navigation system

AV control unit harness connector		Harness connector		Continuity
Connector No.	Terminal No.	Connector No.	Terminal No.	
M210	90	M25	201	Existed
	74		221	Existed

- Models without navigation system

AV BRANCH LINE CIRCUIT

< DTC/CIRCUIT DIAGNOSIS >

[CAN SYSTEM (TYPE 4)]

AV control unit harness connector		Harness connector		Continuity
Connector No.	Terminal No.	Connector No.	Terminal No.	
M84	81	M25	201	Existed
	80		221	Existed

Is the inspection result normal?

YES >> Replace the PCB harness.

NO (With navigation system)>>Repair the harness between the AV control unit harness connector M210 and the harness connector M25.

NO (Without navigation system)>>Repair the harness between the AV control unit harness connector M84 and the harness connector M25.

A
B
C
D
E
F
G
H
I
J
K
L

LAN

N
O
P

M&A BRANCH LINE CIRCUIT

Diagnosis Procedure

INFOID:00000000688852

1. CHECK CONNECTOR

1. Turn the ignition switch OFF.
2. Disconnect the battery cable from the negative terminal.
3. Check the following terminals and connectors for damage, bend and loose connection (unit side and connector side).
 - Combination meter
 - Harness connector M24 and PCB harness side connector

Is the inspection result normal?

- YES >> GO TO 2.
 NO >> Repair the terminal and connector.

2. CHECK HARNESS FOR OPEN CIRCUIT

1. Disconnect the connector of combination meter.
2. Check the resistance between the combination meter harness connector terminals.

Combination meter harness connector			Resistance (Ω)
Connector No.	Terminal No.		
M53	14	15	Approx. 54 – 66

Is the measurement value within the specification?

- YES >> GO TO 3.
 NO >> GO TO 4.

3. CHECK POWER SUPPLY AND GROUND CIRCUIT

Check the power supply and the ground circuit of the combination meter Refer to [MWI-59. "COMBINATION METER : Diagnosis Procedure"](#).

Is the inspection result normal?

- YES (Present error)>>Replace the combination meter. Refer to [MWI-79. "Removal and Installation"](#).
 YES (Past error)>>Error was detected in the combination meter branch line.
 NO >> Repair the power supply and the ground circuit.

4. CHECK HARNESS CONTINUITY (OPEN CIRCUIT)

1. Disconnect the harness connector M24.
2. Check the continuity between the combination meter harness connector and the harness connector.

Combination meter harness connector		Harness connector		Continuity
Connector No.	Terminal No.	Connector No.	Terminal No.	
M53	14	M24	176	Existed
	15		177	Existed

Is the inspection result normal?

- YES >> Replace the PCB harness.
 NO >> Repair the harness between the combination meter harness connector M53 and the harness connector M24.

DLC BRANCH LINE CIRCUIT (CAN COMMUNICATION CIRCUIT 1)

< DTC/CIRCUIT DIAGNOSIS >

[CAN SYSTEM (TYPE 4)]

DLC BRANCH LINE CIRCUIT (CAN COMMUNICATION CIRCUIT 1)

Diagnosis Procedure

INFOID:000000007205645

1. CHECK CONNECTOR

1. Turn the ignition switch OFF.
2. Disconnect the battery cable from the negative terminal.
3. Check the following terminals and connectors for damage, bend and loose connection (unit side and connector side).
 - Data link connector
 - Harness connector M181
 - Harness connector M105
 - Harness connector M23 and PCB harness side connector

Is the inspection result normal?

YES >> GO TO 2.

NO >> Repair the terminal and connector.

2. CHECK HARNESS FOR OPEN CIRCUIT

Check the resistance between the data link connector terminals.

Data link connector			Resistance (Ω)
Connector No.	Terminal No.		
M182	6	14	Approx. 54 – 66

Is the measurement value within the specification?

YES (Present error)>>Check CAN system type decision again.

YES (Past error)>>Error was detected in the data link connector branch line circuit (CAN communication circuit 1 side). Refer to [LAN-47. "System Diagram"](#).

NO >> GO TO 3.

3. CHECK HARNESS CONTINUITY (OPEN CIRCUIT)

1. Disconnect the harness connector M23.
2. Check the continuity between the data link connector and the harness connector.

Data link connector		Harness connector		Continuity
Connector No.	Terminal No.	Connector No.	Terminal No.	
M182	6	M23	151	Existed
	14		150	Existed

Is the inspection result normal?

YES >> Replace the PCB harness.

NO >> Repair the harness between the data link connector M182 and the harness connector M23.

LAN

DLC BRANCH LINE CIRCUIT (CAN COMMUNICATION CIRCUIT 2)

< DTC/CIRCUIT DIAGNOSIS >

[CAN SYSTEM (TYPE 4)]

DLC BRANCH LINE CIRCUIT (CAN COMMUNICATION CIRCUIT 2)

Diagnosis Procedure

INFOID:000000007205646

1. CHECK CONNECTOR

1. Turn the ignition switch OFF.
2. Disconnect the battery cable from the negative terminal.
3. Check the following terminals and connectors for damage, bend and loose connection (unit side and connector side).
 - Data link connector
 - Harness connector M181
 - Harness connector M105
 - Harness connector M23 and PCB harness side connector

Is the inspection result normal?

YES >> GO TO 2.

NO >> Repair the terminal and connector.

2. CHECK HARNESS FOR OPEN CIRCUIT

Check the resistance between the data link connector terminals.

Data link connector		Resistance (Ω)
Connector No.	Terminal No.	
M182	13	Approx. 54 – 66
	12	

Is the measurement value within the specification?

YES (Present error)>>Check CAN system type decision again.

YES (Past error)>>Error was detected in the data link connector branch line circuit (CAN communication circuit 2 side). Refer to [LAN-47, "System Diagram"](#).

NO >> GO TO 3.

3. CHECK HARNESS CONTINUITY (OPEN CIRCUIT)

1. Disconnect the harness connector M23.
2. Check the continuity between the data link connector and the harness connector.

Data link connector		Harness connector		Continuity
Connector No.	Terminal No.	Connector No.	Terminal No.	
M182	13	M23	140	Existed
	12		139	Existed

Is the inspection result normal?

YES >> Replace the PCB harness.

NO >> Repair the harness between the data link connector M182 and the harness connector M23.

BCM BRANCH LINE CIRCUIT

< DTC/CIRCUIT DIAGNOSIS >

[CAN SYSTEM (TYPE 4)]

BCM BRANCH LINE CIRCUIT

Diagnosis Procedure

INFOID:00000000688854

1.CHECK CONNECTOR

1. Turn the ignition switch OFF.
2. Disconnect the battery cable from the negative terminal.
3. Check the following terminals and connectors for damage, bend and loose connection (unit side and connector side).
 - BCM
 - Harness connector M22 and PCB harness side connector

Is the inspection result normal?

- YES >> GO TO 2.
NO >> Repair the terminal and connector.

2.CHECK HARNESS FOR OPEN CIRCUIT

1. Disconnect the connector of BCM.
2. Check the resistance between the BCM harness connector terminals.

BCM harness connector			Resistance (Ω)
Connector No.	Terminal No.		
M120	39	40	Approx. 54 – 66

Is the measurement value within the specification?

- YES >> GO TO 3.
NO >> GO TO 4.

3.CHECK POWER SUPPLY AND GROUND CIRCUIT

Check the power supply and the ground circuit of the BCM. Refer to [BCS-75. "Diagnosis Procedure"](#).

Is the inspection result normal?

- YES (Present error)>>Replace the BCM. Refer to [BCS-82. "Removal and Installation"](#).
YES (Past error)>>Error was detected in the BCM branch line.
NO >> Repair the power supply and the ground circuit.

4.CHECK HARNESS CONTINUITY (OPEN CIRCUIT)

1. Disconnect the harness connector M22.
2. Check the continuity between the BCM harness connector and the harness connector.

BCM harness connector		Harness connector		Continuity
Connector No.	Terminal No.	Connector No.	Terminal No.	
M120	39	M22	101	Existed
	40		102	Existed

Is the inspection result normal?

- YES >> Replace the PCB harness.
NO >> Repair the harness between the BCM harness connector M120 and the harness connector M22.

A
B
C
D
E
F
G
H
I
J
K
L
N
O
P

LAN

STRG BRANCH LINE CIRCUIT

< DTC/CIRCUIT DIAGNOSIS >

[CAN SYSTEM (TYPE 4)]

STRG BRANCH LINE CIRCUIT

Diagnosis Procedure

INFOID:00000000688855

1. CHECK CONNECTOR

1. Turn the ignition switch OFF.
2. Disconnect the battery cable from the negative terminal.
3. Check the following terminals and connectors for damage, bend and loose connection (unit side and connector side).
 - Steering angle sensor
 - Harness connector M22 and PCB harness side connector

Is the inspection result normal?

YES >> GO TO 2.

NO >> Repair the terminal and connector.

2. CHECK HARNESS FOR OPEN CIRCUIT

1. Disconnect the connector of steering angle sensor.
2. Check the resistance between the steering angle sensor harness connector terminals.

Steering angle sensor harness connector			Resistance (Ω)
Connector No.	Terminal No.		
M37	1	2	Approx. 54 – 66

Is the measurement value within the specification?

YES >> GO TO 3.

NO >> GO TO 4.

3. CHECK POWER SUPPLY AND GROUND CIRCUIT

Check the power supply and the ground circuit of the steering angle sensor. Refer to [BRC-53. "Wiring Diagram"](#).

Is the inspection result normal?

YES (Present error)>>Replace the steering angle sensor. Refer to [BRC-144. "Removal and Installation"](#).

YES (Past error)>>Error was detected in the steering angle sensor branch line.

NO >> Repair the power supply and the ground circuit.

4. CHECK HARNESS CONTINUITY (OPEN CIRCUIT)

1. Disconnect the harness connector M22.
2. Check the continuity between the steering angle sensor harness connector and the harness connector.

Steering angle sensor harness connector		Harness connector		Continuity
Connector No.	Terminal No.	Connector No.	Terminal No.	
M37	1	M22	81	Existed
	2		82	Existed

Is the inspection result normal?

YES >> Replace the PCB harness.

NO >> Repair the harness between the steering angle sensor harness connector M37 and the harness connector M22.

RAS BRANCH LINE CIRCUIT

< DTC/CIRCUIT DIAGNOSIS >

[CAN SYSTEM (TYPE 4)]

RAS BRANCH LINE CIRCUIT

Diagnosis Procedure

INFOID:00000000688856

1. CHECK CONNECTOR

1. Turn the ignition switch OFF.
2. Disconnect the battery cable from the negative terminal.
3. Check the terminals and connectors of the 4WAS main control unit for damage, bend and loose connection (unit side and connector side).

Is the inspection result normal?

- YES >> GO TO 2.
NO >> Repair the terminal and connector.

2. CHECK HARNESS FOR OPEN CIRCUIT

1. Disconnect the connector of 4WAS main control unit.
2. Check the resistance between the 4WAS main control unit harness connector terminals.

4WAS main control unit harness connector			Resistance (Ω)
Connector No.	Terminal No.		
B54	1	8	Approx. 54 – 66

Is the measurement value within the specification?

- YES >> GO TO 3.
NO >> Replace the body harness.

3. CHECK POWER SUPPLY AND GROUND CIRCUIT

Check the power supply and the ground circuit of the 4WAS main control unit. Refer to [STC-160, "Diagnosis Procedure \(4WAS Main Control Unit\)"](#).

Is the inspection result normal?

- YES (Present error)>>Replace the 4WAS main control unit. Refer to [STC-174, "Removal and Installation"](#).
YES (Past error)>>Error was detected in the 4WAS main control unit branch line.
NO >> Repair the power supply and the ground circuit.

A
B
C
D
E
F
G
H
I
J
K
L

LAN

N
O
P

ABS BRANCH LINE CIRCUIT

< DTC/CIRCUIT DIAGNOSIS >

[CAN SYSTEM (TYPE 4)]

ABS BRANCH LINE CIRCUIT

Diagnosis Procedure

INFOID:00000000688857

1. CHECK CONNECTOR

1. Turn the ignition switch OFF.
2. Disconnect the battery cable from the negative terminal.
3. Check the terminals and connectors of the ABS actuator and electric unit (control unit) for damage, bend and loose connection (unit side and connector side).

Is the inspection result normal?

- YES >> GO TO 2.
NO >> Repair the terminal and connector.

2. CHECK HARNESS FOR OPEN CIRCUIT

1. Disconnect the connector of ABS actuator and electric unit (control unit).
2. Check the resistance between the ABS actuator and electric unit (control unit) harness connector terminals.

ABS actuator and electric unit (control unit) harness connector			Resistance (Ω)
Connector No.	Terminal No.		
E41	25	15	Approx. 54 – 66

Is the measurement value within the specification?

- YES >> GO TO 3.
NO >> Repair the ABS actuator and electric unit (control unit) branch line.

3. CHECK POWER SUPPLY AND GROUND CIRCUIT

Check the power supply and the ground circuit of the ABS actuator and electric unit (control unit). Refer to [BRC-119. "Diagnosis Procedure"](#).

Is the inspection result normal?

- YES (Present error)>>Replace the ABS actuator and electric unit (control unit). Refer to [BRC-141. "Removal and Installation"](#).
YES (Past error)>>Error was detected in the ABS actuator and electric unit (control unit) branch line.
NO >> Repair the power supply and the ground circuit.

AFS BRANCH LINE CIRCUIT

< DTC/CIRCUIT DIAGNOSIS >

[CAN SYSTEM (TYPE 4)]

AFS BRANCH LINE CIRCUIT

Diagnosis Procedure

INFOID:00000000688858

1. CHECK CONNECTOR

1. Turn the ignition switch OFF.
2. Disconnect the battery cable from the negative terminal.
3. Check the terminals and connectors of the AFS control unit for damage, bend and loose connection (unit side and connector side).

Is the inspection result normal?

- YES >> GO TO 2.
NO >> Repair the terminal and connector.

2. CHECK HARNESS FOR OPEN CIRCUIT

1. Disconnect the connector of AFS control unit.
2. Check the resistance between the AFS control unit harness connector terminals.

AFS control unit harness connector			Resistance (Ω)
Connector No.	Terminal No.		
E104	30	7	Approx. 54 – 66

Is the measurement value within the specification?

- YES >> GO TO 3.
NO >> Repair the AFS control unit branch line.

3. CHECK POWER SUPPLY AND GROUND CIRCUIT

Check the power supply and the ground circuit of the AFS control unit. Refer to [EXL-72, "AFS CONTROL UNIT : Diagnosis Procedure"](#).

Is the inspection result normal?

- YES (Present error)>>Replace the AFS control unit. Refer to [EXL-114, "Removal and Installation"](#).
YES (Past error)>>Error was detected in the AFS control unit branch line.
NO >> Repair the power supply and the ground circuit.

A
B
C
D
E
F
G
H
I
J
K
L

LAN

N
O
P

IPDM-E BRANCH LINE CIRCUIT

< DTC/CIRCUIT DIAGNOSIS >

[CAN SYSTEM (TYPE 4)]

IPDM-E BRANCH LINE CIRCUIT

Diagnosis Procedure

INFOID:00000000688859

1. CHECK CONNECTOR

1. Turn the ignition switch OFF.
2. Disconnect the battery cable from the negative terminal.
3. Check the terminals and connectors of the IPDM E/R for damage, bend and loose connection (unit side and connector side).

Is the inspection result normal?

- YES >> GO TO 2.
NO >> Repair the terminal and connector.

2. CHECK HARNESS FOR OPEN CIRCUIT

1. Disconnect the connector of IPDM E/R.
2. Check the resistance between the IPDM E/R harness connector terminals.

IPDM E/R harness connector			Resistance (Ω)
Connector No.	Terminal No.		
E6	40	39	Approx. 108 – 132

Is the measurement value within the specification?

- YES >> GO TO 3.
NO >> Repair the IPDM E/R branch line.

3. CHECK POWER SUPPLY AND GROUND CIRCUIT

Check the power supply and the ground circuit of the IPDM E/R. Refer to [PCS-32, "Diagnosis Procedure"](#).

Is the inspection result normal?

- YES (Present error)>>Replace the IPDM E/R. Refer to [PCS-33, "Removal and Installation"](#).
YES (Past error)>>Error was detected in the IPDM E/R branch line.
NO >> Repair the power supply and the ground circuit.

ADP BRANCH LINE CIRCUIT

< DTC/CIRCUIT DIAGNOSIS >

[CAN SYSTEM (TYPE 4)]

ADP BRANCH LINE CIRCUIT

Diagnosis Procedure

INFOID:000000007205647

1. CHECK CONNECTOR

1. Turn the ignition switch OFF.
2. Disconnect the battery cable from the negative terminal.
3. Check the following terminals and connectors for damage, bend and loose connection (unit side and connector side).
 - Driver seat control unit
 - Harness connector B501
 - Harness connector B11
 - CAN gateway (With ICC system)

Is the inspection result normal?

YES (With ICC system)>>GO TO 2.

YES (Without ICC system)>>GO TO 3.

NO >> Repair the terminal and connector.

2. CHECK HARNESS CONTINUITY (OPEN CIRCUIT)

1. Disconnect the connector of CAN gateway.
2. Check the continuity between the CAN gateway harness connector terminals.

CAN gateway harness connector			Continuity
Connector No.	Terminal No.		
M125	4	6	Existed
	10	12	Existed

Is the inspection result normal?

YES >> GO TO 3.

NO >> Check the harness and repair or replace (if shield line is open) the root cause (CAN communication circuit 2 side). Refer to [LAN-47, "System Diagram"](#).

3. CHECK HARNESS FOR OPEN CIRCUIT

1. Connect the connector of CAN gateway. (With ICC system)
2. Disconnect the connector of driver seat control unit.
3. Check the resistance between the driver seat control unit harness connector terminals.

Driver seat control unit harness connector			Resistance (Ω)
Connector No.	Terminal No.		
B514	23	24	Approx. 54 – 66

Is the measurement value within the specification?

YES >> GO TO 4.

NO >> Repair the driver seat control unit branch line.

4. CHECK POWER SUPPLY AND GROUND CIRCUIT

Check the power supply and the ground circuit of the driver seat control unit. Refer to [ADP-61, "DRIVER SEAT CONTROL UNIT : Diagnosis Procedure"](#).

Is the inspection result normal?

YES (Present error)>>Replace the driver seat control unit. Refer to [ADP-134, "Removal and Installation"](#).

YES (Past error)>>Error was detected in the driver seat control unit branch line.

NO >> Repair the power supply and the ground circuit.

ICC BRANCH LINE CIRCUIT

Diagnosis Procedure

INFOID:000000007205648

1. CHECK CONNECTOR

1. Turn the ignition switch OFF.
2. Disconnect the battery cable from the negative terminal.
3. Check the following terminals and connectors for damage, bend and loose connection (unit side and connector side).
 - ADAS control unit
 - CAN gateway

Is the inspection result normal?

- YES >> GO TO 2.
 NO >> Repair the terminal and connector.

2. CHECK HARNESS CONTINUITY (OPEN CIRCUIT)

1. Disconnect the connector of CAN gateway.
2. Check the continuity between the CAN gateway harness connector terminals.

CAN gateway harness connector			Continuity
Connector No.	Terminal No.		
M125	4	6	Existed
	10	12	Existed

Is the inspection result normal?

- YES >> GO TO 3.
 NO >> Check the harness and repair or replace (if shield line is open) the root cause (CAN communication circuit 2 side). Refer to [LAN-47, "System Diagram"](#).

3. CHECK HARNESS FOR OPEN CIRCUIT

1. Connect the connector of CAN gateway.
2. Disconnect the connector of ADAS control unit.
3. Check the resistance between the ADAS control unit harness connector terminals.

ADAS control unit harness connector			Resistance (Ω)
Connector No.	Terminal No.		
B50	14	15	Approx. 54 – 66

Is the measurement value within the specification?

- YES >> GO TO 4.
 NO >> Replace the body harness.

4. CHECK POWER SUPPLY AND GROUND CIRCUIT

Check the power supply and the ground circuit of the ADAS control unit. Refer to [DAS-54, "Diagnosis Procedure"](#).

Is the inspection result normal?

- YES (Present error)>>Replace the ADAS control unit. Refer to [DAS-55, "Removal and Installation"](#).
 YES (Past error)>>Error was detected in the ADAS control unit branch line.
 NO >> Repair the power supply and the ground circuit.

PSB BRANCH LINE CIRCUIT

Diagnosis Procedure

INFOID:000000007205649

1.CHECK CONNECTOR

1. Turn the ignition switch OFF.
2. Disconnect the battery cable from the negative terminal.
3. Check the following terminals and connectors for damage, bend and loose connection (unit side and connector side).
 - Pre-crash seat belt control unit (driver side)
 - CAN gateway

Is the inspection result normal?

- YES >> GO TO 2.
- NO >> Repair the terminal and connector.

2.CHECK HARNESS CONTINUITY (OPEN CIRCUIT)

1. Disconnect the connector of CAN gateway.
2. Check the continuity between the CAN gateway harness connector terminals.

CAN gateway harness connector		Continuity	
Connector No.	Terminal No.		
M125	4	6	Existed
	10	12	Existed

Is the inspection result normal?

- YES >> GO TO 3.
- NO >> Check the harness and repair or replace (if shield line is open) the root cause (CAN communication circuit 2 side). Refer to [LAN-47, "System Diagram"](#).

3.CHECK HARNESS FOR OPEN CIRCUIT

1. Connect the connector of CAN gateway.
2. Disconnect the connector of pre-crash seat belt control unit (driver side).
3. Check the resistance between the pre-crash seat belt control unit (driver side) harness connector terminals.

Pre-crash seat belt control unit (driver side) harness connector		Resistance (Ω)	
Connector No.	Terminal No.		
B9	14	4	Approx. 54 – 66

Is the measurement value within the specification?

- YES >> GO TO 4.
- NO >> Repair the pre-crash seat belt control unit (driver side) branch line.

4.CHECK POWER SUPPLY AND GROUND CIRCUIT

Check the power supply and the ground circuit of the pre-crash seat belt control unit (driver side). Refer to [SBC-46, "Diagnosis Procedure"](#).

Is the inspection result normal?

- YES (Present error)>>Replace the seat belt pre-tensioner retractor (driver side). Refer to [SB-7, "SEAT BELT RETRACTOR : Removal and Installation"](#).
- YES (Past error)>>Error was detected in the pre-crash seat belt control unit (driver side) branch line.
- NO >> Repair the power supply and the ground circuit.

A
B
C
D
E
F
G
H
I
J
K
L

LAN

N
O
P

RDR-L BRANCH LINE CIRCUIT

< DTC/CIRCUIT DIAGNOSIS >

[CAN SYSTEM (TYPE 4)]

RDR-L BRANCH LINE CIRCUIT

Diagnosis Procedure

INFOID:00000000688863

1. CHECK CONNECTOR

1. Turn the ignition switch OFF.
2. Disconnect the battery cable from the negative terminal.
3. Check the terminals and connectors of the side radar LH for damage, bend and loose connection (unit side and connector side).

Is the inspection result normal?

- YES >> GO TO 2.
NO >> Repair the terminal and connector.

2. CHECK HARNESS FOR OPEN CIRCUIT

1. Disconnect the connector of side radar LH.
2. Check the resistance between the side radar LH harness connector terminals.

Side radar LH harness connector			Resistance (Ω)
Connector No.	Terminal No.		
B52	4	3	Approx. 54 – 66

Is the measurement value within the specification?

- YES >> GO TO 3.
NO >> Repair the side radar LH branch line.

3. CHECK POWER SUPPLY AND GROUND CIRCUIT

Check the power supply and the ground circuit of the side radar LH. Refer to [DAS-511, "SIDE RADAR LH : Diagnosis Procedure"](#).

Is the inspection result normal?

- YES (Present error)>>Replace the side radar LH. Refer to [DAS-528, "Removal and Installation"](#).
YES (Past error)>>Error was detected in the side radar LH branch line.
NO >> Repair the power supply and the ground circuit.

RDR-R BRANCH LINE CIRCUIT

< DTC/CIRCUIT DIAGNOSIS >

[CAN SYSTEM (TYPE 4)]

RDR-R BRANCH LINE CIRCUIT

Diagnosis Procedure

INFOID:000000006888864

1. CHECK CONNECTOR

1. Turn the ignition switch OFF.
2. Disconnect the battery cable from the negative terminal.
3. Check the terminals and connectors of the side radar RH for damage, bend and loose connection (unit side and connector side).

Is the inspection result normal?

- YES >> GO TO 2.
NO >> Repair the terminal and connector.

2. CHECK RIGHT/LEFT SWITCHING SIGNAL CIRCUIT

Check the right/left switching signal circuit of the side radar RH. Refer to [DAS-514. "Diagnosis Procedure"](#).

Is the inspection result normal?

- YES >> GO TO 3.
NO >> Repair the root cause.

3. CHECK HARNESS FOR OPEN CIRCUIT

1. Disconnect the connector of side radar RH.
2. Check the resistance between the side radar RH harness connector terminals.

Side radar RH harness connector			Resistance (Ω)
Connector No.	Terminal No.		
B252	4	3	Approx. 54 – 66

Is the measurement value within the specification?

- YES >> GO TO 4.
NO >> Repair the side radar RH branch line.

4. CHECK POWER SUPPLY AND GROUND CIRCUIT

Check the power supply and the ground circuit of the side radar RH. Refer to [DAS-512. "SIDE RADAR RH: Diagnosis Procedure"](#).

Is the inspection result normal?

- YES (Present error)>>Replace the side radar RH. Refer to [DAS-528. "Removal and Installation"](#).
YES (Past error)>>Error was detected in the side radar RH branch line.
NO >> Repair the power supply and the ground circuit.

A
B
C
D
E
F
G
H
I
J
K
L
N
O
P

LAN

APA BRANCH LINE CIRCUIT

< DTC/CIRCUIT DIAGNOSIS >

[CAN SYSTEM (TYPE 4)]

APA BRANCH LINE CIRCUIT

Diagnosis Procedure

INFOID:000000006888865

1. CHECK CONNECTOR

1. Turn the ignition switch OFF.
2. Disconnect the battery cable from the negative terminal.
3. Check the following terminals and connectors for damage, bend and loose connection (unit side and connector side).
 - Accelerator pedal actuator
 - Harness connector M151
 - Harness connector M150
 - Harness connector M23 and PCB harness side connector

Is the inspection result normal?

YES >> GO TO 2.

NO >> Repair the terminal and connector.

2. CHECK HARNESS FOR OPEN CIRCUIT

1. Disconnect the connector of accelerator pedal actuator.
2. Check the resistance between the accelerator pedal actuator harness connector terminals.

Accelerator pedal actuator harness connector			Resistance (Ω)
Connector No.	Terminal No.		
M152	5	4	Approx. 54 – 66

Is the measurement value within the specification?

YES >> GO TO 3.

NO >> GO TO 4.

3. CHECK POWER SUPPLY AND GROUND CIRCUIT

Check the power supply and the ground circuit of the accelerator pedal actuator. Refer to [DAS-178, "ACCELERATOR PEDAL ACTUATOR : Diagnosis Procedure"](#).

Is the inspection result normal?

YES (Present error)>>Replace the accelerator pedal assembly. Refer to [ACC-4, "MODELS WITH DISTANCE CONTROL ASSIST SYSTEM : Removal and Installation"](#).

YES (Past error)>>Error was detected in the accelerator pedal actuator branch line.

NO >> Repair the power supply and the ground circuit.

4. CHECK HARNESS CONTINUITY (OPEN CIRCUIT)

1. Disconnect the harness connector M23.
2. Check the continuity between the accelerator pedal actuator harness connector and the harness connector.

Accelerator pedal actuator harness connector		Harness connector		Continuity
Connector No.	Terminal No.	Connector No.	Terminal No.	
M152	5	M23	138	Existed
	4		137	Existed

Is the inspection result normal?

YES >> Replace the PCB harness.

NO >> Repair the harness between the accelerator pedal actuator harness connector M152 and the harness connector M23.

LANE BRANCH LINE CIRCUIT

< DTC/CIRCUIT DIAGNOSIS >

[CAN SYSTEM (TYPE 4)]

LANE BRANCH LINE CIRCUIT

Diagnosis Procedure

INFOID:000000006888866

1. CHECK CONNECTOR

1. Turn the ignition switch OFF.
2. Disconnect the battery cable from the negative terminal.
3. Check the following terminals and connectors for damage, bend and loose connection (unit side and connector side).
 - Lane camera unit
 - Harness connector R7
 - Harness connector M110
 - Harness connector M24 and PCB harness side connector

Is the inspection result normal?

YES >> GO TO 2.

NO >> Repair the terminal and connector.

2. CHECK HARNESS FOR OPEN CIRCUIT

1. Disconnect the connector of lane camera unit.
2. Check the resistance between the lane camera unit harness connector terminals.

Lane camera unit harness connector			Resistance (Ω)
Connector No.	Terminal No.		
R8	4	8	Approx. 54 – 66

Is the measurement value within the specification?

YES >> GO TO 3.

NO >> GO TO 4.

3. CHECK POWER SUPPLY AND GROUND CIRCUIT

Check the power supply and the ground circuit of the lane camera unit. Refer to [DAS-355, "LANE CAMERA UNIT : Diagnosis Procedure"](#).

Is the inspection result normal?

YES (Present error)>>Replace the lane camera unit. Refer to [DAS-371, "Removal and Installation"](#).

YES (Past error)>>Error was detected in the lane camera unit branch line.

NO >> Repair the power supply and the ground circuit.

4. CHECK HARNESS CONTINUITY (OPEN CIRCUIT)

1. Disconnect the harness connector M24.
2. Check the continuity between the lane camera unit harness connector and the harness connector.

Lane camera unit harness connector		Harness connector		Continuity
Connector No.	Terminal No.	Connector No.	Terminal No.	
R8	4	M24	179	Existed
	8		178	Existed

Is the inspection result normal?

YES >> Replace the PCB harness.

NO >> Repair the harness between the lane camera unit harness connector R8 and the harness connector M24.

A
B
C
D
E
F
G
H
I
J
K
L
N
O
P

LAN

LASER BRANCH LINE CIRCUIT

< DTC/CIRCUIT DIAGNOSIS >

[CAN SYSTEM (TYPE 4)]

LASER BRANCH LINE CIRCUIT

Diagnosis Procedure

INFOID:00000000688867

1. CHECK CONNECTOR

1. Turn the ignition switch OFF.
2. Disconnect the battery cable from the negative terminal.
3. Check the following terminals and connectors for damage, bend and loose connection (unit side and connector side).
 - ICC sensor
 - Harness connector E106
 - Harness connector M6
 - Harness connector M28 and PCB harness side connector

Is the inspection result normal?

YES >> GO TO 2.

NO >> Repair the terminal and connector.

2. CHECK HARNESS FOR OPEN CIRCUIT

1. Disconnect the connector of ICC sensor.
2. Check the resistance between the ICC sensor harness connector terminals.

ICC sensor harness connector			Resistance (Ω)
Connector No.	Terminal No.		
E67	3	6	Approx. 108 – 132

Is the measurement value within the specification?

YES >> GO TO 3.

NO >> GO TO 4.

3. CHECK POWER SUPPLY AND GROUND CIRCUIT

Check the power supply and the ground circuit of the ICC sensor. Refer to [CCS-152, "ICC SENSOR : Diagnosis Procedure"](#).

Is the inspection result normal?

YES (Present error)>>Replace the ICC sensor. Refer to [CCS-170, "Removal and Installation"](#).

YES (Past error)>>Error was detected in the ICC sensor branch line.

NO >> Repair the power supply and the ground circuit.

4. CHECK HARNESS CONTINUITY (OPEN CIRCUIT)

1. Disconnect the harness connector M28.
2. Check the continuity between the ICC sensor harness connector and the harness connector.

ICC sensor harness connector		Harness connector		Continuity
Connector No.	Terminal No.	Connector No.	Terminal No.	
E67	3	M28	343	Existed
	6		345	Existed

Is the inspection result normal?

YES >> Replace the PCB harness.

NO >> Repair the harness between the ICC sensor harness connector E67 and the harness connector M28.

CAN COMMUNICATION CIRCUIT 1

< DTC/CIRCUIT DIAGNOSIS >

[CAN SYSTEM (TYPE 4)]

CAN COMMUNICATION CIRCUIT 1

Diagnosis Procedure

INFOID:000000006888868

1. CONNECTOR INSPECTION

1. Turn the ignition switch OFF.
2. Disconnect the battery cable from the negative terminal.
3. Disconnect all the unit connectors on CAN communication circuit 1.

NOTE:

For identification of CAN communication circuit 1, CAN communication circuit 2, and ITS communication circuit, refer to [LAN-47. "System Diagram"](#).

4. Check terminals and connectors for damage, bend and loose connection.

Is the inspection result normal?

YES >> GO TO 2.

NO >> Repair the terminal and connector.

2. CHECK HARNESS CONTINUITY (SHORT CIRCUIT)

Check the continuity between the data link connector terminals.

Data link connector		Continuity
Connector No.	Terminal No.	
M182	6 14	Not existed

Is the inspection result normal?

YES >> GO TO 3.

NO >> Check the harness and repair or replace (if shield line or PCB harness is short) the root cause.

3. CHECK HARNESS CONTINUITY (SHORT CIRCUIT)

Check the continuity between the data link connector and the ground.

Data link connector		Ground	Continuity
Connector No.	Terminal No.		
M182	6		Not existed
	14		Not existed

Is the inspection result normal?

YES >> GO TO 4.

NO >> Check the harness and repair or replace (if shield line or PCB harness is short) the root cause.

4. CHECK ECM AND IPDM E/R TERMINATION CIRCUIT

1. Remove the ECM and the IPDM E/R.
2. Check the resistance between the ECM terminals.
 - VQ37VHR

ECM		Resistance (Ω)
Terminal No.		
114	113	Approx. 108 – 132

- VK56VD

ECM		Resistance (Ω)
Terminal No.		
146	151	Approx. 108 – 132

3. Check the resistance between the IPDM E/R terminals.

A
B
C
D
E
F
G
H
I
J
K
L
N
O
P

LAN

CAN COMMUNICATION CIRCUIT 1

< DTC/CIRCUIT DIAGNOSIS >

[CAN SYSTEM (TYPE 4)]

IPDM E/R		Resistance (Ω)
Terminal No.		
40	39	Approx. 108 – 132

Is the measurement value within the specification?

YES >> GO TO 5.

NO >> Replace the ECM and/or the IPDM E/R.

5.CHECK SYMPTOM

Connect all the connectors. Check if the symptoms described in the “Symptom (Results from interview with customer)” are reproduced.

Inspection result

Reproduced>>GO TO 6.

Non-reproduced>>Start the diagnosis again. Follow the trouble diagnosis procedure when past error is detected.

6.CHECK UNIT REPRODUCTION

Perform the reproduction test as per the following procedure for each unit.

1. Turn the ignition switch OFF.
2. Disconnect the battery cable from the negative terminal.
3. Disconnect one of the unit connectors of CAN communication circuit 1.

NOTE:

ECM and IPDM E/R have a termination circuit. Check other units first.

4. Connect the battery cable to the negative terminal. Check if the symptoms described in the “Symptom (Results from interview with customer)” are reproduced.

NOTE:

Although unit-related error symptoms occur, do not confuse them with other symptoms.

Inspection result

Reproduced>>Connect the connector. Check other units as per the above procedure.

Non-reproduced>>Replace the unit whose connector was disconnected.

CAN COMMUNICATION CIRCUIT 2

< DTC/CIRCUIT DIAGNOSIS >

[CAN SYSTEM (TYPE 4)]

CAN COMMUNICATION CIRCUIT 2

Diagnosis Procedure

INFOID:000000006888869

1. CONNECTOR INSPECTION

1. Turn the ignition switch OFF.
2. Disconnect the battery cable from the negative terminal.
3. Disconnect all the unit connectors on CAN communication circuit 2.

NOTE:

For identification of CAN communication circuit 1, CAN communication circuit 2, and ITS communication circuit, refer to [LAN-47. "System Diagram"](#).

4. Check terminals and connectors for damage, bend and loose connection.

Is the inspection result normal?

YES >> GO TO 2.

NO >> Repair the terminal and connector.

2. CHECK HARNESS CONTINUITY (SHORT CIRCUIT)

Check the continuity between the data link connector terminals.

Data link connector		Continuity
Connector No.	Terminal No.	
M182	13	Not existed
	12	

Is the inspection result normal?

YES >> GO TO 3.

NO >> Check the harness and repair or replace (if shield line or PCB harness is short) the root cause.

3. CHECK HARNESS CONTINUITY (SHORT CIRCUIT)

Check the continuity between the data link connector and the ground.

Data link connector		Ground	Continuity
Connector No.	Terminal No.		
M182	13		Not existed
	12		Not existed

Is the inspection result normal?

YES >> GO TO 4.

NO >> Check the harness and repair or replace (if shield line or PCB harness is short) the root cause.

4. CHECK CAN GATEWAY TERMINATION CIRCUIT

1. Remove the CAN gateway.
2. Check the resistance between the CAN gateway terminals.

CAN gateway		Resistance (Ω)
Terminal No.		
4	10	Approx. 108 – 132
6	12	Approx. 108 – 132

Is the measurement value within the specification?

YES >> GO TO 5.

NO >> Replace the CAN gateway.

5. CHECK SYMPTOM

Connect all the connectors. Check if the symptoms described in the "Symptom (Results from interview with customer)" are reproduced.

Inspection result

Reproduced >> GO TO 6.

A
B
C
D
E
F
G
H
I
J
K
L

LAN

N
O
P

CAN COMMUNICATION CIRCUIT 2

< DTC/CIRCUIT DIAGNOSIS >

[CAN SYSTEM (TYPE 4)]

Non-reproduced>>Start the diagnosis again. Follow the trouble diagnosis procedure when past error is detected.

6.CHECK UNIT REPRODUCTION

Perform the reproduction test as per the following procedure for each unit.

1. Turn the ignition switch OFF.
2. Disconnect the battery cable from the negative terminal.
3. Disconnect one of the unit connectors of CAN communication circuit 2.

NOTE:

CAN gateway has two termination circuits. Check other units first.

4. Connect the battery cable to the negative terminal. Check if the symptoms described in the “Symptom (Results from interview with customer)” are reproduced.

NOTE:

Although unit-related error symptoms occur, do not confuse them with other symptoms.

Inspection result

Reproduced>>Connect the connector. Check other units as per the above procedure.

Non-reproduced>>Replace the unit whose connector was disconnected.

ITS COMMUNICATION CIRCUIT

Diagnosis Procedure

INFOID:000000007205650

1. CHECK CAN DIAGNOSIS

Check the CAN diagnosis results from CONSULT to see that the CAN communication circuit 1 and CAN communication circuit 2 have no malfunction.

NOTE:

For identification of CAN communication circuit 1, CAN communication circuit 2, and ITS communication circuit, refer to [LAN-47. "System Diagram"](#).

Are the CAN communication 1 and CAN communication 2 circuits normal?

YES >> GO TO 2.

NO >> Check and repair CAN communication circuit 1 and/or CAN communication circuit 2.

2. CONNECTOR INSPECTION

1. Turn the ignition switch OFF.
2. Disconnect the battery cable from the negative terminal.
3. Check the terminals and connectors of the ADAS control unit for damage, bend and loose connection (unit side and connector side).

Is the inspection result normal?

YES >> GO TO 3.

NO >> Repair the terminal and connector.

3. CHECK HARNESS CONTINUITY (OPEN CIRCUIT)

1. Disconnect the following harness connectors.
 - ADAS control unit
 - ICC sensor
2. Check the continuity between the ADAS control unit harness connector and the ICC sensor harness connector.

ADAS control unit harness connector		ICC sensor harness connector		Continuity
Connector No.	Terminal No.	Connector No.	Terminal No.	
B50	7	E67	3	Existed
	8		6	Existed

Is the inspection result normal?

YES >> GO TO 4.

NO >> Replace the body harness.

4. CHECK HARNESS CONTINUITY (SHORT CIRCUIT)

1. Disconnect the following harness connectors.
 - Side radar LH
 - Side radar RH
 - Accelerator pedal actuator
 - Lane camera unit
2. Check the continuity between the ADAS control unit harness connector terminals.

ADAS control unit harness connector			Continuity
Connector No.	Terminal No.		
B50	7	8	Not existed

Is the inspection result normal?

YES >> GO TO 5.

NO >> Check the harness and repair or replace (if shield line or PCB harness is short) the root cause.

5. CHECK HARNESS CONTINUITY (SHORT CIRCUIT)

Check the continuity between the ADAS control unit harness connector and the ground.

A
B
C
D
E
F
G
H
I
J
K
L
N
O
P

LAN

ITS COMMUNICATION CIRCUIT

< DTC/CIRCUIT DIAGNOSIS >

[CAN SYSTEM (TYPE 4)]

ADAS control unit harness connector		Ground	Continuity
Connector No.	Terminal No.		
B50	7		Not existed
	8		Not existed

Is the inspection result normal?

YES >> GO TO 6.

NO >> Check the harness and repair or replace (if shield line or PCB harness is short) the root cause.

6.CHECK TERMINATION CIRCUIT

1. Remove the ADAS control unit and the ICC sensor.
2. Check the resistance between the ADAS control unit terminals.

ADAS control unit		Resistance (Ω)
Terminal No.		
7	8	Approx. 108 – 132

3. Check the resistance between the ICC sensor terminals.

ICC sensor		Resistance (Ω)
Terminal No.		
3	6	Approx. 108 – 132

Is the inspection result normal?

YES >> GO TO 7.

NO >> Replace the ADAS control unit and/or the ICC sensor.

7.CHECK SYMPTOM

Connect all the connectors. Check if the symptoms described in the “Symptom (Results from interview with customer)” are reproduced.

Inspection result

Reproduced>>GO TO 8.

Non-reproduced>>Start the diagnosis again. Follow the trouble diagnosis procedure when past error is detected.

8.CHECK UNIT REPRODUCTION

Perform the reproduction test as per the following procedure for each unit.

1. Turn the ignition switch OFF.
2. Disconnect the battery cable from the negative terminal.
3. Disconnect one of the unit connectors of ITS communication system.

NOTE:

ADAS control unit and ICC sensor have a termination circuit. Check other units first.

4. Connect the battery cable to the negative terminal. Check if the symptoms described in the “Symptom (Results from interview with customer)” are reproduced.

NOTE:

Although unit-related error symptoms occur, do not confuse them with other symptoms.

Inspection result

Reproduced>>Connect the connector. Check other units as per the above procedure.

Non-reproduced>>Replace the unit whose connector was disconnected.

MAIN LINE BETWEEN TPMS AND HVAC CIRCUIT

< DTC/CIRCUIT DIAGNOSIS >

[CAN SYSTEM (TYPE 5)]

DTC/CIRCUIT DIAGNOSIS

MAIN LINE BETWEEN TPMS AND HVAC CIRCUIT

Diagnosis Procedure

INFOID:00000000688871

1. CHECK HARNESS CONTINUITY (OPEN CIRCUIT)

1. Turn the ignition switch OFF.
2. Disconnect the battery cable from the negative terminal.
3. Disconnect the following harness connectors.
 - ECM
 - Low tire pressure warning control unit
 - A/C auto amp.
4. Check the continuity between the low tire pressure warning control unit harness connector and the A/C auto amp. harness connector.

Low tire pressure warning control unit harness connector		A/C auto amp. harness connector		Continuity
Connector No.	Terminal No.	Connector No.	Terminal No.	
M43	2	M66	12	Existed
	1		11	Existed

Is the inspection result normal?

YES (Present error)>>Check CAN system type decision again.

YES (Past error)>>Error was detected in the main line between the low tire pressure warning control unit and the A/C auto amp.

NO >> Replace the PCB harness.

A
B
C
D
E
F
G
H
I
J
K
L

LAN

N
O
P

MAIN LINE BETWEEN HVAC AND A-BAG CIRCUIT

< DTC/CIRCUIT DIAGNOSIS >

[CAN SYSTEM (TYPE 5)]

MAIN LINE BETWEEN HVAC AND A-BAG CIRCUIT

Diagnosis Procedure

INFOID:00000000688872

1. CHECK HARNESS CONTINUITY (OPEN CIRCUIT)

1. Turn the ignition switch OFF.
2. Disconnect the battery cable from the negative terminal.
3. Disconnect the following harness connectors.
 - ECM
 - A/C auto amp.
 - AV control unit
4. Check the continuity between the A/C auto amp. harness connector and the AV control unit harness connector.
 - Models with navigation system

A/C auto amp. harness connector		AV control unit harness connector		Continuity
Connector No.	Terminal No.	Connector No.	Terminal No.	
M66	12	M210	90	Existed
	11		74	Existed

- Models without navigation system

A/C auto amp. harness connector		AV control unit harness connector		Continuity
Connector No.	Terminal No.	Connector No.	Terminal No.	
M66	12	M84	81	Existed
	11		80	Existed

Is the inspection result normal?

YES (Present error)>>Check CAN system type decision again.

YES (Past error)>>Error was detected in the main line between the A/C auto amp. and the air bag diagnosis sensor unit.

NO >> Replace the PCB harness.

MAIN LINE BETWEEN A-BAG AND AV CIRCUIT

< DTC/CIRCUIT DIAGNOSIS >

[CAN SYSTEM (TYPE 5)]

MAIN LINE BETWEEN A-BAG AND AV CIRCUIT

Diagnosis Procedure

INFOID:00000000688873

1. CHECK HARNESS CONTINUITY (OPEN CIRCUIT)

1. Turn the ignition switch OFF.
2. Disconnect the battery cable from the negative terminal.
3. Disconnect the following harness connectors.
 - ECM
 - A/C auto amp.
 - AV control unit
4. Check the continuity between the A/C auto amp. harness connector and the AV control unit harness connector.
 - Models with navigation system

A/C auto amp. harness connector		AV control unit harness connector		Continuity
Connector No.	Terminal No.	Connector No.	Terminal No.	
M66	12	M210	90	Existed
	11		74	Existed

- Models without navigation system

A/C auto amp. harness connector		AV control unit harness connector		Continuity
Connector No.	Terminal No.	Connector No.	Terminal No.	
M66	12	M84	81	Existed
	11		80	Existed

Is the inspection result normal?

YES (Present error)>>Check CAN system type decision again.

YES (Past error)>>Error was detected in the main line between the air bag diagnosis sensor unit and the AV control unit.

NO >> Replace the PCB harness.

A
B
C
D
E
F
G
H
I
J
K
L

LAN

N
O
P

MAIN LINE BETWEEN AV AND M&A CIRCUIT

< DTC/CIRCUIT DIAGNOSIS >

[CAN SYSTEM (TYPE 5)]

MAIN LINE BETWEEN AV AND M&A CIRCUIT

Diagnosis Procedure

INFOID:00000000688874

1. CHECK HARNESS CONTINUITY (OPEN CIRCUIT)

1. Turn the ignition switch OFF.
2. Disconnect the battery cable from the negative terminal.
3. Disconnect the following harness connectors.
 - ECM
 - AV control unit
 - Combination meter
4. Check the continuity between the AV control unit harness connector and the combination meter harness connector.
 - Models with navigation system

AV control unit harness connector		Combination meter harness connector		Continuity
Connector No.	Terminal No.	Connector No.	Terminal No.	
M210	90	M53	14	Existed
	74		15	Existed

- Models without navigation system

AV control unit harness connector		Combination meter harness connector		Continuity
Connector No.	Terminal No.	Connector No.	Terminal No.	
M84	81	M53	14	Existed
	80		15	Existed

Is the inspection result normal?

YES (Present error)>>Check CAN system type decision again.

YES (Past error)>>Error was detected in the main line between the AV control unit and the combination meter.

NO >> Replace the PCB harness.

MAIN LINE BETWEEN M&A AND DLC CIRCUIT

< DTC/CIRCUIT DIAGNOSIS >

[CAN SYSTEM (TYPE 5)]

MAIN LINE BETWEEN M&A AND DLC CIRCUIT

Diagnosis Procedure

INFOID:00000000688875

1. CHECK HARNESS CONTINUITY (OPEN CIRCUIT)

1. Turn the ignition switch OFF.
2. Disconnect the battery cable from the negative terminal.
3. Disconnect the following harness connectors.
 - ECM
 - Combination meter
 - Harness connectors M105 and M181
4. Check the continuity between the combination meter harness connector and the harness connector.

Combination meter harness connector		Harness connector		Continuity
Connector No.	Terminal No.	Connector No.	Terminal No.	
M53	14	M105	7	Existed
	15		8	Existed

Is the inspection result normal?

YES (Present error)>>Check CAN system type decision again.

YES (Past error)>>Error was detected in the main line between the combination meter and the data link connector.

NO >> Replace the PCB harness.

A
B
C
D
E
F
G
H
I
J
K
L

LAN

N
O
P

MAIN LINE BETWEEN DLC AND BCM CIRCUIT

< DTC/CIRCUIT DIAGNOSIS >

[CAN SYSTEM (TYPE 5)]

MAIN LINE BETWEEN DLC AND BCM CIRCUIT

Diagnosis Procedure

INFOID:00000000688876

1. CHECK HARNESS CONTINUITY (OPEN CIRCUIT)

1. Turn the ignition switch OFF.
2. Disconnect the battery cable from the negative terminal.
3. Disconnect the following harness connectors.
 - ECM
 - Harness connectors M181 and M105
 - BCM
4. Check the continuity between the harness connector and the BCM harness connector.

Harness connector		BCM harness connector		Continuity
Connector No.	Terminal No.	Connector No.	Terminal No.	
M105	7	M120	39	Existed
	8		40	Existed

Is the inspection result normal?

YES (Present error)>>Check CAN system type decision again.

YES (Past error)>>Error was detected in the main line between the data link connector and the BCM.

NO >> Replace the PCB harness.

MAIN LINE BETWEEN BCM AND ADP CIRCUIT

< DTC/CIRCUIT DIAGNOSIS >

[CAN SYSTEM (TYPE 5)]

MAIN LINE BETWEEN BCM AND ADP CIRCUIT

Diagnosis Procedure

INFOID:00000000688877

1.CHECK CONNECTOR

1. Turn the ignition switch OFF.
2. Disconnect the battery cable from the negative terminal.
3. Check the following terminals and connectors for damage, bend and loose connection (connector side and harness side).
 - Harness connector M20 and PCB harness side connector
 - Harness connector M7
 - Harness connector B1

Is the inspection result normal?

YES >> GO TO 2.

NO >> Repair the terminal and connector.

2.CHECK HARNESS CONTINUITY (OPEN CIRCUIT)

1. Disconnect the following harness connectors.
 - BCM
 - Harness connector M20
2. Check the continuity between the BCM harness connector and the PCB harness connector.

BCM harness connector		PCB harness connector		Continuity
Connector No.	Terminal No.	Terminal No.		
M120	39	35		Existed
	40	36		Existed

Is the inspection result normal?

YES >> GO TO 3.

NO >> Replace the PCB harness.

3.CHECK HARNESS CONTINUITY (OPEN CIRCUIT)

1. Disconnect the harness connectors M7 and B1.
2. Check the continuity between the harness connectors.

Harness connector		Harness connector		Continuity
Connector No.	Terminal No.	Connector No.	Terminal No.	
M20	35	M7	72	Existed
	36		73	Existed

Is the inspection result normal?

YES >> GO TO 4.

NO >> Repair the main line between the harness connectors M20 and M7.

4.CHECK HARNESS CONTINUITY (OPEN CIRCUIT)

Check the continuity between the harness connector terminals.

Connector No.	Terminal No.		Continuity
B1	72	74	Existed
	73	75	Existed

Is the inspection result normal?

YES (Present error)>>Check CAN system type decision again.

YES (Past error)>>Error was detected in the main line between the BCM and the driver seat control unit.

NO-1 >> With 4WAS or AWD models: Replace the body harness.

NO-2 >> 2WD models without 4WAS: Repair the main line between the harness connector B1 and the driver seat control unit.

MAIN LINE BETWEEN ADP AND ABS CIRCUIT

< DTC/CIRCUIT DIAGNOSIS >

[CAN SYSTEM (TYPE 5)]

MAIN LINE BETWEEN ADP AND ABS CIRCUIT

Diagnosis Procedure

INFOID:00000000688878

1. CHECK CONNECTOR

1. Turn the ignition switch OFF.
2. Disconnect the battery cable from the negative terminal.
3. Check the following terminals and connectors for damage, bend and loose connection (connector side and harness side).
 - Harness connector B1
 - Harness connector M7
 - Harness connector M6
 - Harness connector E106

Is the inspection result normal?

YES >> GO TO 2.

NO >> Repair the terminal and connector.

2. CHECK HARNESS CONTINUITY (OPEN CIRCUIT)

1. Disconnect the harness connectors B1 and M7.
2. Check the continuity between the harness connector terminals.

Connector No.	Terminal No.		Continuity
B1	72	74	Existed
	73	75	Existed

Is the inspection result normal?

YES >> GO TO 3.

NO-1 >> With 4WAS or AWD models: Replace the body harness.

NO-2 >> 2WD models without 4WAS: Repair the main line between the driver seat control unit and the harness connector B1.

3. CHECK HARNESS CONTINUITY (OPEN CIRCUIT)

1. Disconnect the harness connectors M6 and E106.
2. Check the continuity between the harness connectors.

Harness connector		Harness connector		Continuity
Connector No.	Terminal No.	Connector No.	Terminal No.	
M7	74	M6	22	Existed
	75		23	Existed

Is the inspection result normal?

YES >> GO TO 4.

NO >> Repair the main line between the harness connectors M7 and M6.

4. CHECK HARNESS CONTINUITY (OPEN CIRCUIT)

1. Disconnect the connector of ABS actuator and electric unit (control unit).
2. Check the continuity between the harness connector and the ABS actuator and electric unit (control unit) harness connector.

Harness connector		ABS actuator and electric unit (control unit) harness connector		Continuity
Connector No.	Terminal No.	Connector No.	Terminal No.	
E106	22	E41	25	Existed
	23		15	Existed

Is the inspection result normal?

YES (Present error)>>Check CAN system type decision again.

MAIN LINE BETWEEN ADP AND ABS CIRCUIT

< DTC/CIRCUIT DIAGNOSIS >

[CAN SYSTEM (TYPE 5)]

- YES (Past error)>>Error was detected in the main line between the driver seat control unit and the ABS actuator and electric unit (control unit).
- NO >> Repair the main line between the harness connector E106 and the ABS actuator and electric unit (control unit).

A

B

C

D

E

F

G

H

I

J

K

L

LAN

N

O

P

ECM BRANCH LINE CIRCUIT

< DTC/CIRCUIT DIAGNOSIS >

[CAN SYSTEM (TYPE 5)]

ECM BRANCH LINE CIRCUIT

Diagnosis Procedure

INFOID:000000007217831

1. CHECK CONNECTOR

1. Turn the ignition switch OFF.
2. Disconnect the battery cable from the negative terminal.
3. Check the following terminals and connectors for damage, bend and loose connection (unit side and connector side).
 - ECM
 - Harness connector M30 and PCB harness side connector

Is the inspection result normal?

YES >> GO TO 2.

NO >> Repair the terminal and connector.

2. CHECK HARNESS FOR OPEN CIRCUIT

1. Disconnect the connector of ECM.
2. Check the resistance between the ECM harness connector terminals.
 - VQ37VHR

ECM harness connector			Resistance (Ω)
Connector No.	Terminal No.		
M107	114	113	Approx. 108 – 132

- VK56VD

ECM harness connector			Resistance (Ω)
Connector No.	Terminal No.		
M160	146	151	Approx. 108 – 132

Is the measurement value within the specification?

YES >> GO TO 3.

NO >> GO TO 4.

3. CHECK POWER SUPPLY AND GROUND CIRCUIT

Check the power supply and the ground circuit of the ECM. Refer to the following.

- VQ37VHR for USA and Canada: [EC-180, "Diagnosis Procedure"](#)
- VQ37VHR for Mexico: [EC-682, "Diagnosis Procedure"](#)
- VK56VD for USA and Canada: [EC-1149, "Diagnosis Procedure"](#)
- VK56VD for Mexico: [EC-1707, "Diagnosis Procedure"](#)

Is the inspection result normal?

YES (Present error)>>Replace the ECM. Refer to the following.

- VQ37VHR for USA and Canada: [EC-543, "Removal and Installation"](#)
- VQ37VHR for Mexico: [EC-980, "Removal and Installation"](#)
- VK56VD for USA and Canada: [EC-1553, "Removal and Installation"](#)
- VK56VD for Mexico: [EC-2013, "Removal and Installation"](#)

YES (Past error)>>Error was detected in the ECM branch line.

NO >> Repair the power supply and the ground circuit.

4. CHECK HARNESS CONTINUITY (OPEN CIRCUIT)

1. Disconnect the harness connector M30.
2. Check the continuity between the ECM harness connector and the harness connector.
 - VQ37VHR

ECM harness connector		Harness connector		Continuity
Connector No.	Terminal No.	Connector No.	Terminal No.	

ECM BRANCH LINE CIRCUIT

< DTC/CIRCUIT DIAGNOSIS >

[CAN SYSTEM (TYPE 5)]

M107	114	M30	439	Existed
	113		438	Existed

A

- VK56VD

B

ECM harness connector		Harness connector		Continuity
Connector No.	Terminal No.	Connector No.	Terminal No.	
M160	146	M30	439	Existed
	151		438	Existed

C

Is the inspection result normal?

D

YES >> Replace the PCB harness.

NO (VQ37VHR)>>Repair the harness between the ECM harness connector M107 and the harness connector M30.

NO (VK56VD)>>Repair the harness between the ECM harness connector M160 and the harness connector M30.

E

F

G

H

I

J

K

L

LAN

N

O

P

TPMS BRANCH LINE CIRCUIT

< DTC/CIRCUIT DIAGNOSIS >

[CAN SYSTEM (TYPE 5)]

TPMS BRANCH LINE CIRCUIT

Diagnosis Procedure

INFOID:000000007217832

1. CHECK CONNECTOR

1. Turn the ignition switch OFF.
2. Disconnect the battery cable from the negative terminal.
3. Check the following terminals and connectors for damage, bend and loose connection (unit side and connector side).
 - Low tire pressure warning control unit
 - Harness connector M29 and PCB harness side connector

Is the inspection result normal?

YES >> GO TO 2.

NO >> Repair the terminal and connector.

2. CHECK HARNESS FOR OPEN CIRCUIT

1. Disconnect the connector of low tire pressure warning control unit.
2. Check the resistance between the low tire pressure warning control unit harness connector terminals.

Low tire pressure warning control unit harness connector			Resistance (Ω)
Connector No.	Terminal No.		
M43	2	1	Approx. 54 – 66

Is the measurement value within the specification?

YES >> GO TO 3.

NO >> GO TO 4.

3. CHECK POWER SUPPLY AND GROUND CIRCUIT

Check the power supply and the ground circuit of the low tire pressure warning control unit. Refer to [WT-43. "Diagnosis Procedure"](#).

Is the inspection result normal?

YES (Present error)>>Replace the low tire pressure warning control unit. Refer to [WT-58. "Removal and Installation"](#).

YES (Past error)>>Error was detected in the low tire pressure warning control unit branch line.

NO >> Repair the power supply and the ground circuit.

4. CHECK HARNESS CONTINUITY (OPEN CIRCUIT)

1. Disconnect the harness connector M29.
2. Check the continuity between the low tire pressure warning control unit harness connector and the harness connector.

Low tire pressure warning control unit harness connector		Harness connector		Continuity
Connector No.	Terminal No.	Connector No.	Terminal No.	
M43	2	M29	396	Existed
	1		395	Existed

Is the inspection result normal?

YES >> Replace the PCB harness.

NO >> Repair the harness between the low tire pressure warning control unit harness connector M43 and the harness connector M29.

HVAC BRANCH LINE CIRCUIT

< DTC/CIRCUIT DIAGNOSIS >

[CAN SYSTEM (TYPE 5)]

HVAC BRANCH LINE CIRCUIT

Diagnosis Procedure

INFOID:000000006888881

1. CHECK CONNECTOR

1. Turn the ignition switch OFF.
2. Disconnect the battery cable from the negative terminal.
3. Check the following terminals and connectors for damage, bend and loose connection (unit side and connector side).
 - A/C auto amp.
 - Harness connector M28 and PCB harness side connector

Is the inspection result normal?

- YES >> GO TO 2.
NO >> Repair the terminal and connector.

2. CHECK HARNESS FOR OPEN CIRCUIT

1. Disconnect the connector of A/C auto amp.
2. Check the resistance between the A/C auto amp. harness connector terminals.

A/C auto amp. harness connector			Resistance (Ω)
Connector No.	Terminal No.		
M66	12	11	Approx. 54 – 66

Is the measurement value within the specification?

- YES >> GO TO 3.
NO >> GO TO 4.

3. CHECK POWER SUPPLY AND GROUND CIRCUIT

Check the power supply and the ground circuit of the A/C auto amp. Refer to [HAC-156. "A/C AUTO AMP. : Diagnosis Procedure"](#).

Is the inspection result normal?

- YES (Present error)>>Replace the A/C auto amp. Refer to [HAC-190. "Removal and Installation"](#).
YES (Past error)>>Error was detected in the A/C auto amp. branch line.
NO >> Repair the power supply and the ground circuit.

4. CHECK HARNESS CONTINUITY (OPEN CIRCUIT)

1. Disconnect the harness connector M28.
2. Check the continuity between the A/C auto amp. harness connector and the harness connector.

A/C auto amp. harness connector		Harness connector		Continuity
Connector No.	Terminal No.	Connector No.	Terminal No.	
M66	12	M28	325	Existed
	11		327	Existed

Is the inspection result normal?

- YES >> Replace the PCB harness.
NO >> Repair the harness between the A/C auto amp. harness connector M66 and the harness connector M28.

A
B
C
D
E
F
G
H
I
J
K
L
N
O
P

LAN

TCM BRANCH LINE CIRCUIT

< DTC/CIRCUIT DIAGNOSIS >

[CAN SYSTEM (TYPE 5)]

TCM BRANCH LINE CIRCUIT

Diagnosis Procedure

INFOID:000000007205651

1. CHECK CONNECTOR

1. Turn the ignition switch OFF.
2. Disconnect the battery cable from the negative terminal.
3. Check the following terminals and connectors for damage, bend and loose connection (unit side and connector side).
 - A/T assembly
 - Harness connector F103
 - Harness connector M116
 - Harness connector M28 and PCB harness side connector

Is the inspection result normal?

YES >> GO TO 2.

NO >> Repair the terminal and connector.

2. CHECK HARNESS FOR OPEN CIRCUIT

1. Disconnect the connector of A/T assembly.
2. Check the resistance between the A/T assembly harness connector terminals.

A/T assembly harness connector		Resistance (Ω)
Connector No.	Terminal No.	
F61	3 8	Approx. 54 – 66

Is the measurement value within the specification?

YES >> GO TO 3.

NO >> GO TO 5.

3. CHECK HARNESS FOR OPEN CIRCUIT

1. Remove the joint connector. Refer to [TM-181, "Exploded View"](#).
2. Check the continuity between the A/T assembly harness connector side and the TCM harness connector side of the joint connector.

A/T assembly harness connector side	TCM harness connector side	Continuity
Terminal No.	Terminal No.	
3	3	Existed
8	8	Existed

Is the inspection result normal?

YES >> GO TO 4.

NO >> Replace the joint connector.

4. CHECK POWER SUPPLY AND GROUND CIRCUIT

Check the power supply and the ground circuit of the TCM. Refer to [TM-150, "Diagnosis Procedure"](#).

Is the inspection result normal?

YES (Present error)>>Replace the control valve & TCM. Refer to [TM-181, "Exploded View"](#).

YES (Past error)>>Error was detected in the TCM branch line.

NO >> Repair the power supply and the ground circuit.

5. CHECK HARNESS CONTINUITY (OPEN CIRCUIT)

1. Disconnect the harness connector M28.
2. Check the continuity between the A/T assembly harness connector and the harness connector.

TCM BRANCH LINE CIRCUIT

< DTC/CIRCUIT DIAGNOSIS >

[CAN SYSTEM (TYPE 5)]

A/T assembly harness connector		Harness connector		Continuity
Connector No.	Terminal No.	Connector No.	Terminal No.	
F61	3	M28	346	Existed
	8		347	Existed

Is the inspection result normal?

YES >> Replace the PCB harness.

NO >> Repair the harness between the A/T assembly harness connector F61 and the harness connector M28.

A
B
C
D
E
F
G
H
I
J
K
L

LAN

N
O
P

A-BAG BRANCH LINE CIRCUIT

Diagnosis Procedure

INFOID:00000000688883

WARNING:

- Before servicing, turn ignition switch OFF, disconnect battery negative terminal, and wait 3 minutes or more. (To discharge backup capacitor.)
- Never use unspecified tester or other measuring device.

1. CHECK CONNECTOR

1. Turn the ignition switch OFF.
2. Disconnect the battery cable from the negative terminal.
3. Check the following terminals and connectors for damage, bend and loose connection (unit side and connector side).
 - Air bag diagnosis sensor unit
 - Harness connector M26 and PCB harness side connector

Is the inspection result normal?

- YES >> GO TO 2.
NO >> Replace the main harness and/or the PCB harness.

2. CHECK AIR BAG DIAGNOSIS SENSOR UNIT

Check the air bag diagnosis sensor unit. Refer to [SRC-24. "Work Flow"](#).

Is the inspection result normal?

- YES >> Replace the main harness and/or the PCB harness.
NO >> Replace parts whose air bag system has a malfunction.

AV BRANCH LINE CIRCUIT

< DTC/CIRCUIT DIAGNOSIS >

[CAN SYSTEM (TYPE 5)]

AV BRANCH LINE CIRCUIT

Diagnosis Procedure

INFOID:00000000688884

1. CHECK CONNECTOR

1. Turn the ignition switch OFF.
2. Disconnect the battery cable from the negative terminal.
3. Check the following terminals and connectors for damage, bend and loose connection (unit side and connector side).
 - AV control unit
 - Harness connector M25 and PCB harness side connector

Is the inspection result normal?

YES >> GO TO 2.

NO >> Repair the terminal and connector.

2. CHECK HARNESS FOR OPEN CIRCUIT

1. Disconnect the connector of AV control unit.
2. Check the resistance between the AV control unit harness connector terminals.
 - Models with navigation system

AV control unit harness connector			Resistance (Ω)
Connector No.	Terminal No.		
M210	90	74	Approx. 54 – 66

- Models without navigation system

AV control unit harness connector			Resistance (Ω)
Connector No.	Terminal No.		
M84	81	80	Approx. 54 – 66

Is the measurement value within the specification?

YES >> GO TO 3.

NO >> GO TO 4.

3. CHECK POWER SUPPLY AND GROUND CIRCUIT

Check the power supply and the ground circuit of the AV control unit. Refer to the following.

- Base audio without navigation system: [AV-72, "AV CONTROL UNIT : Diagnosis Procedure"](#)
- BOSE audio with navigation system: [AV-236, "AV CONTROL UNIT : Diagnosis Procedure"](#)

Is the inspection result normal?

YES (Present error)>>Replace the AV control unit. Refer to the following.

- Base audio without navigation system: [AV-103, "Removal and Installation"](#)
- BOSE audio with navigation system: [AV-263, "Removal and Installation"](#)

YES (Past error)>>Error was detected in the AV control unit branch line.

NO >> Repair the power supply and the ground circuit.

4. CHECK HARNESS CONTINUITY (OPEN CIRCUIT)

1. Disconnect the harness connector M25.
2. Check the continuity between the AV control unit harness connector and the harness connector.
 - Models with navigation system

AV control unit harness connector		Harness connector		Continuity
Connector No.	Terminal No.	Connector No.	Terminal No.	
M210	90	M25	201	Existed
	74		221	Existed

- Models without navigation system

AV BRANCH LINE CIRCUIT

< DTC/CIRCUIT DIAGNOSIS >

[CAN SYSTEM (TYPE 5)]

AV control unit harness connector		Harness connector		Continuity
Connector No.	Terminal No.	Connector No.	Terminal No.	
M84	81	M25	201	Existed
	80		221	Existed

Is the inspection result normal?

YES >> Replace the PCB harness.

NO (With navigation system)>>Repair the harness between the AV control unit harness connector M210 and the harness connector M25.

NO (Without navigation system)>>Repair the harness between the AV control unit harness connector M84 and the harness connector M25.

M&A BRANCH LINE CIRCUIT

< DTC/CIRCUIT DIAGNOSIS >

[CAN SYSTEM (TYPE 5)]

M&A BRANCH LINE CIRCUIT

Diagnosis Procedure

INFOID:00000000688885

1.CHECK CONNECTOR

1. Turn the ignition switch OFF.
2. Disconnect the battery cable from the negative terminal.
3. Check the following terminals and connectors for damage, bend and loose connection (unit side and connector side).
 - Combination meter
 - Harness connector M24 and PCB harness side connector

Is the inspection result normal?

YES >> GO TO 2.

NO >> Repair the terminal and connector.

2.CHECK HARNESS FOR OPEN CIRCUIT

1. Disconnect the connector of combination meter.
2. Check the resistance between the combination meter harness connector terminals.

Combination meter harness connector			Resistance (Ω)
Connector No.	Terminal No.		
M53	14	15	Approx. 54 – 66

Is the measurement value within the specification?

YES >> GO TO 3.

NO >> GO TO 4.

3.CHECK POWER SUPPLY AND GROUND CIRCUIT

Check the power supply and the ground circuit of the combination meter Refer to [MWI-59. "COMBINATION METER : Diagnosis Procedure"](#).

Is the inspection result normal?

YES (Present error)>>Replace the combination meter. Refer to [MWI-79. "Removal and Installation"](#).

YES (Past error)>>Error was detected in the combination meter branch line.

NO >> Repair the power supply and the ground circuit.

4.CHECK HARNESS CONTINUITY (OPEN CIRCUIT)

1. Disconnect the harness connector M24.
2. Check the continuity between the combination meter harness connector and the harness connector.

Combination meter harness connector		Harness connector		Continuity
Connector No.	Terminal No.	Connector No.	Terminal No.	
M53	14	M24	176	Existed
	15		177	Existed

Is the inspection result normal?

YES >> Replace the PCB harness.

NO >> Repair the harness between the combination meter harness connector M53 and the harness connector M24.

A
B
C
D
E
F
G
H
I
J
K
L
N
O
P

LAN

DLC BRANCH LINE CIRCUIT

< DTC/CIRCUIT DIAGNOSIS >

[CAN SYSTEM (TYPE 5)]

DLC BRANCH LINE CIRCUIT

Diagnosis Procedure

INFOID:000000007205652

1. CHECK CONNECTOR

1. Turn the ignition switch OFF.
2. Disconnect the battery cable from the negative terminal.
3. Check the following terminals and connectors for damage, bend and loose connection (unit side and connector side).
 - Data link connector
 - Harness connector M181
 - Harness connector M105
 - Harness connector M23 and PCB harness side connector

Is the inspection result normal?

YES >> GO TO 2.

NO >> Repair the terminal and connector.

2. CHECK HARNESS FOR OPEN CIRCUIT

Check the resistance between the data link connector terminals.

Data link connector			Resistance (Ω)
Connector No.	Terminal No.		
M182	6	14	Approx. 54 – 66

Is the measurement value within the specification?

YES (Present error)>>Check CAN system type decision again.

YES (Past error)>>Error was detected in the data link connector branch line circuit.

NO >> GO TO 3.

3. CHECK HARNESS CONTINUITY (OPEN CIRCUIT)

1. Disconnect the harness connector M23.
2. Check the continuity between the data link connector and the harness connector.

Data link connector		Harness connector		Continuity
Connector No.	Terminal No.	Connector No.	Terminal No.	
M182	6	M23	151	Existed
	14		150	Existed

Is the inspection result normal?

YES >> Replace the PCB harness.

NO >> Repair the harness between the data link connector M182 and the harness connector M23.

BCM BRANCH LINE CIRCUIT

< DTC/CIRCUIT DIAGNOSIS >

[CAN SYSTEM (TYPE 5)]

BCM BRANCH LINE CIRCUIT

Diagnosis Procedure

INFOID:00000000688887

1. CHECK CONNECTOR

1. Turn the ignition switch OFF.
2. Disconnect the battery cable from the negative terminal.
3. Check the following terminals and connectors for damage, bend and loose connection (unit side and connector side).
 - BCM
 - Harness connector M22 and PCB harness side connector

Is the inspection result normal?

- YES >> GO TO 2.
NO >> Repair the terminal and connector.

2. CHECK HARNESS FOR OPEN CIRCUIT

1. Disconnect the connector of BCM.
2. Check the resistance between the BCM harness connector terminals.

BCM harness connector			Resistance (Ω)
Connector No.	Terminal No.		
M120	39	40	Approx. 54 – 66

Is the measurement value within the specification?

- YES >> GO TO 3.
NO >> GO TO 4.

3. CHECK POWER SUPPLY AND GROUND CIRCUIT

Check the power supply and the ground circuit of the BCM. Refer to [BCS-75. "Diagnosis Procedure"](#).

Is the inspection result normal?

- YES (Present error)>>Replace the BCM. Refer to [BCS-82. "Removal and Installation"](#).
YES (Past error)>>Error was detected in the BCM branch line.
NO >> Repair the power supply and the ground circuit.

4. CHECK HARNESS CONTINUITY (OPEN CIRCUIT)

1. Disconnect the harness connector M22.
2. Check the continuity between the BCM harness connector and the harness connector.

BCM harness connector		Harness connector		Continuity
Connector No.	Terminal No.	Connector No.	Terminal No.	
M120	39	M22	101	Existed
	40		102	Existed

Is the inspection result normal?

- YES >> Replace the PCB harness.
NO >> Repair the harness between the BCM harness connector M120 and the harness connector M22.

A
B
C
D
E
F
G
H
I
J
K
L
N
O
P

LAN

STRG BRANCH LINE CIRCUIT

< DTC/CIRCUIT DIAGNOSIS >

[CAN SYSTEM (TYPE 5)]

STRG BRANCH LINE CIRCUIT

Diagnosis Procedure

INFOID:00000000688888

1. CHECK CONNECTOR

1. Turn the ignition switch OFF.
2. Disconnect the battery cable from the negative terminal.
3. Check the following terminals and connectors for damage, bend and loose connection (unit side and connector side).
 - Steering angle sensor
 - Harness connector M22 and PCB harness side connector

Is the inspection result normal?

YES >> GO TO 2.

NO >> Repair the terminal and connector.

2. CHECK HARNESS FOR OPEN CIRCUIT

1. Disconnect the connector of steering angle sensor.
2. Check the resistance between the steering angle sensor harness connector terminals.

Steering angle sensor harness connector			Resistance (Ω)
Connector No.	Terminal No.		
M37	1	2	Approx. 54 – 66

Is the measurement value within the specification?

YES >> GO TO 3.

NO >> GO TO 4.

3. CHECK POWER SUPPLY AND GROUND CIRCUIT

Check the power supply and the ground circuit of the steering angle sensor. Refer to [BRC-53. "Wiring Diagram"](#).

Is the inspection result normal?

YES (Present error)>>Replace the steering angle sensor. Refer to [BRC-144. "Removal and Installation"](#).

YES (Past error)>>Error was detected in the steering angle sensor branch line.

NO >> Repair the power supply and the ground circuit.

4. CHECK HARNESS CONTINUITY (OPEN CIRCUIT)

1. Disconnect the harness connector M22.
2. Check the continuity between the steering angle sensor harness connector and the harness connector.

Steering angle sensor harness connector		Harness connector		Continuity
Connector No.	Terminal No.	Connector No.	Terminal No.	
M37	1	M22	81	Existed
	2		82	Existed

Is the inspection result normal?

YES >> Replace the PCB harness.

NO >> Repair the harness between the steering angle sensor harness connector M37 and the harness connector M22.

ABS BRANCH LINE CIRCUIT

< DTC/CIRCUIT DIAGNOSIS >

[CAN SYSTEM (TYPE 5)]

ABS BRANCH LINE CIRCUIT

Diagnosis Procedure

INFOID:000000006888889

1. CHECK CONNECTOR

1. Turn the ignition switch OFF.
2. Disconnect the battery cable from the negative terminal.
3. Check the terminals and connectors of the ABS actuator and electric unit (control unit) for damage, bend and loose connection (unit side and connector side).

Is the inspection result normal?

- YES >> GO TO 2.
NO >> Repair the terminal and connector.

2. CHECK HARNESS FOR OPEN CIRCUIT

1. Disconnect the connector of ABS actuator and electric unit (control unit).
2. Check the resistance between the ABS actuator and electric unit (control unit) harness connector terminals.

ABS actuator and electric unit (control unit) harness connector			Resistance (Ω)
Connector No.	Terminal No.		
E41	25	15	Approx. 54 – 66

Is the measurement value within the specification?

- YES >> GO TO 3.
NO >> Repair the ABS actuator and electric unit (control unit) branch line.

3. CHECK POWER SUPPLY AND GROUND CIRCUIT

Check the power supply and the ground circuit of the ABS actuator and electric unit (control unit). Refer to [BRC-119, "Diagnosis Procedure"](#).

Is the inspection result normal?

- YES (Present error)>>Replace the ABS actuator and electric unit (control unit). Refer to [BRC-141, "Removal and Installation"](#).
YES (Past error)>>Error was detected in the ABS actuator and electric unit (control unit) branch line.
NO >> Repair the power supply and the ground circuit.

A
B
C
D
E
F
G
H
I
J
K
L

LAN

IPDM-E BRANCH LINE CIRCUIT

< DTC/CIRCUIT DIAGNOSIS >

[CAN SYSTEM (TYPE 5)]

IPDM-E BRANCH LINE CIRCUIT

Diagnosis Procedure

INFOID:00000000688890

1.CHECK CONNECTOR

1. Turn the ignition switch OFF.
2. Disconnect the battery cable from the negative terminal.
3. Check the terminals and connectors of the IPDM E/R for damage, bend and loose connection (unit side and connector side).

Is the inspection result normal?

- YES >> GO TO 2.
NO >> Repair the terminal and connector.

2.CHECK HARNESS FOR OPEN CIRCUIT

1. Disconnect the connector of IPDM E/R.
2. Check the resistance between the IPDM E/R harness connector terminals.

IPDM E/R harness connector			Resistance (Ω)
Connector No.	Terminal No.		
E6	40	39	Approx. 108 – 132

Is the measurement value within the specification?

- YES >> GO TO 3.
NO >> Repair the IPDM E/R branch line.

3.CHECK POWER SUPPLY AND GROUND CIRCUIT

Check the power supply and the ground circuit of the IPDM E/R. Refer to [PCS-32, "Diagnosis Procedure"](#).

Is the inspection result normal?

- YES (Present error)>>Replace the IPDM E/R. Refer to [PCS-33, "Removal and Installation"](#).
YES (Past error)>>Error was detected in the IPDM E/R branch line.
NO >> Repair the power supply and the ground circuit.

ADP BRANCH LINE CIRCUIT

< DTC/CIRCUIT DIAGNOSIS >

[CAN SYSTEM (TYPE 5)]

ADP BRANCH LINE CIRCUIT

Diagnosis Procedure

INFOID:000000007205653

1. CHECK CONNECTOR

1. Turn the ignition switch OFF.
2. Disconnect the battery cable from the negative terminal.
3. Check the following terminals and connectors for damage, bend and loose connection (unit side and connector side).
 - Driver seat control unit
 - Harness connector B501
 - Harness connector B11
 - CAN gateway (With ICC system)

Is the inspection result normal?

YES (With ICC system)>>GO TO 2.

YES (Without ICC system)>>GO TO 3.

NO >> Repair the terminal and connector.

2. CHECK HARNESS CONTINUITY (OPEN CIRCUIT)

1. Disconnect the connector of CAN gateway.
2. Check the continuity between the CAN gateway harness connector terminals.

CAN gateway harness connector			Continuity
Connector No.	Terminal No.		
M125	4	6	Existed
	10	12	Existed

Is the inspection result normal?

YES >> GO TO 3.

NO >> Check the harness and repair or replace (if shield line is open) the root cause (CAN communication circuit 2 side). Refer to [LAN-47, "System Diagram"](#).

3. CHECK HARNESS FOR OPEN CIRCUIT

1. Connect the connector of CAN gateway. (With ICC system)
2. Disconnect the connector of driver seat control unit.
3. Check the resistance between the driver seat control unit harness connector terminals.

Driver seat control unit harness connector			Resistance (Ω)
Connector No.	Terminal No.		
B514	23	24	Approx. 54 – 66

Is the measurement value within the specification?

YES >> GO TO 4.

NO >> Repair the driver seat control unit branch line.

4. CHECK POWER SUPPLY AND GROUND CIRCUIT

Check the power supply and the ground circuit of the driver seat control unit. Refer to [ADP-61, "DRIVER SEAT CONTROL UNIT : Diagnosis Procedure"](#).

Is the inspection result normal?

YES (Present error)>>Replace the driver seat control unit. Refer to [ADP-134, "Removal and Installation"](#).

YES (Past error)>>Error was detected in the driver seat control unit branch line.

NO >> Repair the power supply and the ground circuit.

CAN COMMUNICATION CIRCUIT

< DTC/CIRCUIT DIAGNOSIS >

[CAN SYSTEM (TYPE 5)]

CAN COMMUNICATION CIRCUIT

Diagnosis Procedure

INFOID:00000000688892

1. CONNECTOR INSPECTION

1. Turn the ignition switch OFF.
2. Disconnect the battery cable from the negative terminal.
3. Disconnect all the unit connectors on CAN communication system.
4. Check terminals and connectors for damage, bend and loose connection.

Is the inspection result normal?

- YES >> GO TO 2.
NO >> Repair the terminal and connector.

2. CHECK HARNESS CONTINUITY (SHORT CIRCUIT)

Check the continuity between the data link connector terminals.

Data link connector		Continuity
Connector No.	Terminal No.	
M182	6 14	Not existed

Is the inspection result normal?

- YES >> GO TO 3.
NO >> Check the harness and repair or replace (if shield line or PCB harness is short) the root cause.

3. CHECK HARNESS CONTINUITY (SHORT CIRCUIT)

Check the continuity between the data link connector and the ground.

Data link connector		Ground	Continuity
Connector No.	Terminal No.		
M182	6		Not existed
	14		Not existed

Is the inspection result normal?

- YES >> GO TO 4.
NO >> Check the harness and repair or replace (if shield line or PCB harness is short) the root cause.

4. CHECK ECM AND IPDM E/R TERMINATION CIRCUIT

1. Remove the ECM and the IPDM E/R.
2. Check the resistance between the ECM terminals.
 - VQ37VHR

ECM		Resistance (Ω)
Terminal No.		
114	113	Approx. 108 – 132

- VK56VD

ECM		Resistance (Ω)
Terminal No.		
146	151	Approx. 108 – 132

3. Check the resistance between the IPDM E/R terminals.

IPDM E/R		Resistance (Ω)
Terminal No.		
40	39	Approx. 108 – 132

CAN COMMUNICATION CIRCUIT

< DTC/CIRCUIT DIAGNOSIS >

[CAN SYSTEM (TYPE 5)]

Is the measurement value within the specification?

YES >> GO TO 5.

NO >> Replace the ECM and/or the IPDM E/R.

5.CHECK SYMPTOM

Connect all the connectors. Check if the symptoms described in the “Symptom (Results from interview with customer)” are reproduced.

Inspection result

Reproduced>>GO TO 6.

Non-reproduced>>Start the diagnosis again. Follow the trouble diagnosis procedure when past error is detected.

6.CHECK UNIT REPRODUCTION

Perform the reproduction test as per the following procedure for each unit.

1. Turn the ignition switch OFF.
2. Disconnect the battery cable from the negative terminal.
3. Disconnect one of the unit connectors of CAN communication system.

NOTE:

ECM and IPDM E/R have a termination circuit. Check other units first.

4. Connect the battery cable to the negative terminal. Check if the symptoms described in the “Symptom (Results from interview with customer)” are reproduced.

NOTE:

Although unit-related error symptoms occur, do not confuse them with other symptoms.

Inspection result

Reproduced>>Connect the connector. Check other units as per the above procedure.

Non-reproduced>>Replace the unit whose connector was disconnected.

A
B
C
D
E
F
G
H
I
J
K
L

LAN

N
O
P

MAIN LINE BETWEEN TPMS AND HVAC CIRCUIT

< DTC/CIRCUIT DIAGNOSIS >

[CAN SYSTEM (TYPE 6)]

DTC/CIRCUIT DIAGNOSIS

MAIN LINE BETWEEN TPMS AND HVAC CIRCUIT

Diagnosis Procedure

INFOID:00000000688893

1. CHECK HARNESS CONTINUITY (OPEN CIRCUIT)

1. Turn the ignition switch OFF.
2. Disconnect the battery cable from the negative terminal.
3. Disconnect the following harness connectors.
 - ECM
 - Low tire pressure warning control unit
 - A/C auto amp.
4. Check the continuity between the low tire pressure warning control unit harness connector and the A/C auto amp. harness connector.

Low tire pressure warning control unit harness connector		A/C auto amp. harness connector		Continuity
Connector No.	Terminal No.	Connector No.	Terminal No.	
M43	2	M66	12	Existed
	1		11	Existed

Is the inspection result normal?

YES (Present error)>>Check CAN system type decision again.

YES (Past error)>>Error was detected in the main line between the low tire pressure warning control unit and the A/C auto amp.

NO >> Replace the PCB harness.

MAIN LINE BETWEEN HVAC AND A-BAG CIRCUIT

< DTC/CIRCUIT DIAGNOSIS >

[CAN SYSTEM (TYPE 6)]

MAIN LINE BETWEEN HVAC AND A-BAG CIRCUIT

Diagnosis Procedure

INFOID:000000006888894

1. CHECK HARNESS CONTINUITY (OPEN CIRCUIT)

1. Turn the ignition switch OFF.
2. Disconnect the battery cable from the negative terminal.
3. Disconnect the following harness connectors.
 - ECM
 - A/C auto amp.
 - AV control unit
4. Check the continuity between the A/C auto amp. harness connector and the AV control unit harness connector.
 - Models with navigation system

A/C auto amp. harness connector		AV control unit harness connector		Continuity
Connector No.	Terminal No.	Connector No.	Terminal No.	
M66	12	M210	90	Existed
	11		74	Existed

- Models without navigation system

A/C auto amp. harness connector		AV control unit harness connector		Continuity
Connector No.	Terminal No.	Connector No.	Terminal No.	
M66	12	M84	81	Existed
	11		80	Existed

Is the inspection result normal?

YES (Present error)>>Check CAN system type decision again.

YES (Past error)>>Error was detected in the main line between the A/C auto amp. and the air bag diagnosis sensor unit.

NO >> Replace the PCB harness.

A
B
C
D
E
F
G
H
I
J
K
L

LAN

N
O
P

MAIN LINE BETWEEN A-BAG AND AV CIRCUIT

< DTC/CIRCUIT DIAGNOSIS >

[CAN SYSTEM (TYPE 6)]

MAIN LINE BETWEEN A-BAG AND AV CIRCUIT

Diagnosis Procedure

INFOID:00000000688895

1. CHECK HARNESS CONTINUITY (OPEN CIRCUIT)

1. Turn the ignition switch OFF.
2. Disconnect the battery cable from the negative terminal.
3. Disconnect the following harness connectors.
 - ECM
 - A/C auto amp.
 - AV control unit
4. Check the continuity between the A/C auto amp. harness connector and the AV control unit harness connector.
 - Models with navigation system

A/C auto amp. harness connector		AV control unit harness connector		Continuity
Connector No.	Terminal No.	Connector No.	Terminal No.	
M66	12	M210	90	Existed
	11		74	Existed

- Models without navigation system

A/C auto amp. harness connector		AV control unit harness connector		Continuity
Connector No.	Terminal No.	Connector No.	Terminal No.	
M66	12	M84	81	Existed
	11		80	Existed

Is the inspection result normal?

YES (Present error)>>Check CAN system type decision again.

YES (Past error)>>Error was detected in the main line between the air bag diagnosis sensor unit and the AV control unit.

NO >> Replace the PCB harness.

MAIN LINE BETWEEN AV AND M&A CIRCUIT

< DTC/CIRCUIT DIAGNOSIS >

[CAN SYSTEM (TYPE 6)]

MAIN LINE BETWEEN AV AND M&A CIRCUIT

Diagnosis Procedure

INFOID:000000006888896

1. CHECK HARNESS CONTINUITY (OPEN CIRCUIT)

1. Turn the ignition switch OFF.
2. Disconnect the battery cable from the negative terminal.
3. Disconnect the following harness connectors.
 - ECM
 - AV control unit
 - Combination meter
4. Check the continuity between the AV control unit harness connector and the combination meter harness connector.
 - Models with navigation system

AV control unit harness connector		Combination meter harness connector		Continuity
Connector No.	Terminal No.	Connector No.	Terminal No.	
M210	90	M53	14	Existed
	74		15	Existed

- Models without navigation system

AV control unit harness connector		Combination meter harness connector		Continuity
Connector No.	Terminal No.	Connector No.	Terminal No.	
M84	81	M53	14	Existed
	80		15	Existed

Is the inspection result normal?

YES (Present error)>>Check CAN system type decision again.

YES (Past error)>>Error was detected in the main line between the AV control unit and the combination meter.

NO >> Replace the PCB harness.

A
B
C
D
E
F
G
H
I
J
K
L

LAN

N
O
P

MAIN LINE BETWEEN M&A AND DLC CIRCUIT

< DTC/CIRCUIT DIAGNOSIS >

[CAN SYSTEM (TYPE 6)]

MAIN LINE BETWEEN M&A AND DLC CIRCUIT

Diagnosis Procedure

INFOID:00000000688897

1. CHECK HARNESS CONTINUITY (OPEN CIRCUIT)

1. Turn the ignition switch OFF.
2. Disconnect the battery cable from the negative terminal.
3. Disconnect the following harness connectors.
 - ECM
 - Combination meter
 - Harness connectors M105 and M181
4. Check the continuity between the combination meter harness connector and the harness connector.

Combination meter harness connector		Harness connector		Continuity
Connector No.	Terminal No.	Connector No.	Terminal No.	
M53	14	M105	7	Existed
	15		8	Existed

Is the inspection result normal?

YES (Present error)>>Check CAN system type decision again.

YES (Past error)>>Error was detected in the main line between the combination meter and the data link connector.

NO >> Replace the PCB harness.

MAIN LINE BETWEEN DLC AND BCM CIRCUIT

< DTC/CIRCUIT DIAGNOSIS >

[CAN SYSTEM (TYPE 6)]

MAIN LINE BETWEEN DLC AND BCM CIRCUIT

Diagnosis Procedure

INFOID:000000006888898

1. CHECK HARNESS CONTINUITY (OPEN CIRCUIT)

1. Turn the ignition switch OFF.
2. Disconnect the battery cable from the negative terminal.
3. Disconnect the following harness connectors.
 - ECM
 - Harness connectors M181 and M105
 - BCM
4. Check the continuity between the harness connector and the BCM harness connector.

Harness connector		BCM harness connector		Continuity
Connector No.	Terminal No.	Connector No.	Terminal No.	
M105	7	M120	39	Existed
	8		40	Existed

Is the inspection result normal?

YES (Present error)>>Check CAN system type decision again.

YES (Past error)>>Error was detected in the main line between the data link connector and the BCM.

NO >> Replace the PCB harness.

A
B
C
D
E
F
G
H
I
J
K
L

LAN

N
O
P

MAIN LINE BETWEEN BCM AND RAS CIRCUIT

< DTC/CIRCUIT DIAGNOSIS >

[CAN SYSTEM (TYPE 6)]

MAIN LINE BETWEEN BCM AND RAS CIRCUIT

Diagnosis Procedure

INFOID:00000000688899

1. CHECK CONNECTOR

1. Turn the ignition switch OFF.
2. Disconnect the battery cable from the negative terminal.
3. Check the following terminals and connectors for damage, bend and loose connection (connector side and harness side).
 - Harness connector M20 and PCB harness side connector
 - Harness connector M7
 - Harness connector B1

Is the inspection result normal?

YES >> GO TO 2.

NO >> Repair the terminal and connector.

2. CHECK HARNESS CONTINUITY (OPEN CIRCUIT)

1. Disconnect the following harness connectors.
 - BCM
 - Harness connector M20
2. Check the continuity between the BCM harness connector and the PCB harness connector.

BCM harness connector		PCB harness connector		Continuity
Connector No.	Terminal No.	Terminal No.		
M120	39	35		Existed
	40	36		Existed

Is the inspection result normal?

YES >> GO TO 3.

NO >> Replace the PCB harness.

3. CHECK HARNESS CONTINUITY (OPEN CIRCUIT)

1. Disconnect the harness connectors M7 and B1.
2. Check the continuity between the harness connectors.

Harness connector		Harness connector		Continuity
Connector No.	Terminal No.	Connector No.	Terminal No.	
M20	35	M7	72	Existed
	36		73	Existed

Is the inspection result normal?

YES >> GO TO 4.

NO >> Repair the main line between the harness connectors M20 and M7.

4. CHECK HARNESS CONTINUITY (OPEN CIRCUIT)

Check the continuity between the harness connector terminals.

Connector No.	Terminal No.		Continuity
B1	72	74	Existed
	73	75	Existed

Is the inspection result normal?

YES (Present error)>>Check CAN system type decision again.

YES (Past error)>>Error was detected in the main line between the BCM and the 4WAS main control unit.

NO >> Replace the body harness.

MAIN LINE BETWEEN RAS AND ABS CIRCUIT

< DTC/CIRCUIT DIAGNOSIS >

[CAN SYSTEM (TYPE 6)]

MAIN LINE BETWEEN RAS AND ABS CIRCUIT

Diagnosis Procedure

INFOID:000000006888900

1. CHECK CONNECTOR

1. Turn the ignition switch OFF.
2. Disconnect the battery cable from the negative terminal.
3. Check the following terminals and connectors for damage, bend and loose connection (connector side and harness side).
 - Harness connector B1
 - Harness connector M7
 - Harness connector M6
 - Harness connector E106

Is the inspection result normal?

YES >> GO TO 2.

NO >> Repair the terminal and connector.

2. CHECK HARNESS CONTINUITY (OPEN CIRCUIT)

1. Disconnect the harness connectors B1 and M7.
2. Check the continuity between the harness connector terminals.

Connector No.	Terminal No.		Continuity
B1	72	74	Existed
	73	75	Existed

Is the inspection result normal?

YES >> GO TO 3.

NO >> Replace the body harness.

3. CHECK HARNESS CONTINUITY (OPEN CIRCUIT)

1. Disconnect the harness connectors M6 and E106.
2. Check the continuity between the harness connectors.

Harness connector		Harness connector		Continuity
Connector No.	Terminal No.	Connector No.	Terminal No.	
M7	74	M6	22	Existed
	75		23	Existed

Is the inspection result normal?

YES >> GO TO 4.

NO >> Repair the main line between the harness connectors M7 and M6.

4. CHECK HARNESS CONTINUITY (OPEN CIRCUIT)

1. Disconnect the connector of ABS actuator and electric unit (control unit).
2. Check the continuity between the harness connector and the ABS actuator and electric unit (control unit) harness connector.

Harness connector		ABS actuator and electric unit (control unit) harness connector		Continuity
Connector No.	Terminal No.	Connector No.	Terminal No.	
E106	22	E41	25	Existed
	23		15	Existed

Is the inspection result normal?

YES (Present error)>>Check CAN system type decision again.

YES (Past error)>>Error was detected in the main line between the 4WAS main control unit and the ABS actuator and electric unit (control unit).

A
B
C
D
E
F
G
H
I
J
K
L

LAN

N
O
P

MAIN LINE BETWEEN RAS AND ABS CIRCUIT

< DTC/CIRCUIT DIAGNOSIS >

[CAN SYSTEM (TYPE 6)]

NO >> Repair the main line between the harness connector E106 and the ABS actuator and electric unit (control unit).

ECM BRANCH LINE CIRCUIT

< DTC/CIRCUIT DIAGNOSIS >

[CAN SYSTEM (TYPE 6)]

ECM BRANCH LINE CIRCUIT

Diagnosis Procedure

INFOID:000000007217833

1. CHECK CONNECTOR

1. Turn the ignition switch OFF.
2. Disconnect the battery cable from the negative terminal.
3. Check the following terminals and connectors for damage, bend and loose connection (unit side and connector side).
 - ECM
 - Harness connector M30 and PCB harness side connector

Is the inspection result normal?

YES >> GO TO 2.

NO >> Repair the terminal and connector.

2. CHECK HARNESS FOR OPEN CIRCUIT

1. Disconnect the connector of ECM.
2. Check the resistance between the ECM harness connector terminals.
 - VQ37VHR

ECM harness connector			Resistance (Ω)
Connector No.	Terminal No.		
M107	114	113	Approx. 108 – 132

- VK56VD

ECM harness connector			Resistance (Ω)
Connector No.	Terminal No.		
M160	146	151	Approx. 108 – 132

Is the measurement value within the specification?

YES >> GO TO 3.

NO >> GO TO 4.

3. CHECK POWER SUPPLY AND GROUND CIRCUIT

Check the power supply and the ground circuit of the ECM. Refer to the following.

- VQ37VHR for USA and Canada: [EC-180, "Diagnosis Procedure"](#)
- VQ37VHR for Mexico: [EC-682, "Diagnosis Procedure"](#)
- VK56VD for USA and Canada: [EC-1149, "Diagnosis Procedure"](#)
- VK56VD for Mexico: [EC-1707, "Diagnosis Procedure"](#)

Is the inspection result normal?

YES (Present error)>>Replace the ECM. Refer to the following.

- VQ37VHR for USA and Canada: [EC-543, "Removal and Installation"](#)
- VQ37VHR for Mexico: [EC-980, "Removal and Installation"](#)
- VK56VD for USA and Canada: [EC-1553, "Removal and Installation"](#)
- VK56VD for Mexico: [EC-2013, "Removal and Installation"](#)

YES (Past error)>>Error was detected in the ECM branch line.

NO >> Repair the power supply and the ground circuit.

4. CHECK HARNESS CONTINUITY (OPEN CIRCUIT)

1. Disconnect the harness connector M30.
2. Check the continuity between the ECM harness connector and the harness connector.
 - VQ37VHR

ECM harness connector		Harness connector		Continuity
Connector No.	Terminal No.	Connector No.	Terminal No.	

ECM BRANCH LINE CIRCUIT

< DTC/CIRCUIT DIAGNOSIS >

[CAN SYSTEM (TYPE 6)]

M107	114	M30	439	Existed
	113		438	Existed

- VK56VD

ECM harness connector		Harness connector		Continuity
Connector No.	Terminal No.	Connector No.	Terminal No.	
M160	146	M30	439	Existed
	151		438	Existed

Is the inspection result normal?

YES >> Replace the PCB harness.

NO (VQ37VHR)>>Repair the harness between the ECM harness connector M107 and the harness connector M30.

NO (VK56VD)>>Repair the harness between the ECM harness connector M160 and the harness connector M30.

TPMS BRANCH LINE CIRCUIT

< DTC/CIRCUIT DIAGNOSIS >

[CAN SYSTEM (TYPE 6)]

TPMS BRANCH LINE CIRCUIT

Diagnosis Procedure

INFOID:000000007217834

1. CHECK CONNECTOR

1. Turn the ignition switch OFF.
2. Disconnect the battery cable from the negative terminal.
3. Check the following terminals and connectors for damage, bend and loose connection (unit side and connector side).
 - Low tire pressure warning control unit
 - Harness connector M29 and PCB harness side connector

Is the inspection result normal?

- YES >> GO TO 2.
NO >> Repair the terminal and connector.

2. CHECK HARNESS FOR OPEN CIRCUIT

1. Disconnect the connector of low tire pressure warning control unit.
2. Check the resistance between the low tire pressure warning control unit harness connector terminals.

Low tire pressure warning control unit harness connector			Resistance (Ω)
Connector No.	Terminal No.		
M43	2	1	Approx. 54 – 66

Is the measurement value within the specification?

- YES >> GO TO 3.
NO >> GO TO 4.

3. CHECK POWER SUPPLY AND GROUND CIRCUIT

Check the power supply and the ground circuit of the low tire pressure warning control unit. Refer to [WT-43. "Diagnosis Procedure"](#).

Is the inspection result normal?

- YES (Present error)>>Replace the low tire pressure warning control unit. Refer to [WT-58. "Removal and Installation"](#).
YES (Past error)>>Error was detected in the low tire pressure warning control unit branch line.
NO >> Repair the power supply and the ground circuit.

4. CHECK HARNESS CONTINUITY (OPEN CIRCUIT)

1. Disconnect the harness connector M29.
2. Check the continuity between the low tire pressure warning control unit harness connector and the harness connector.

Low tire pressure warning control unit harness connector		Harness connector		Continuity
Connector No.	Terminal No.	Connector No.	Terminal No.	
M43	2	M29	396	Existed
	1		395	Existed

Is the inspection result normal?

- YES >> Replace the PCB harness.
NO >> Repair the harness between the low tire pressure warning control unit harness connector M43 and the harness connector M29.

A
B
C
D
E
F
G
H
I
J
K
L
N
O
P

LAN

HVAC BRANCH LINE CIRCUIT

< DTC/CIRCUIT DIAGNOSIS >

[CAN SYSTEM (TYPE 6)]

HVAC BRANCH LINE CIRCUIT

Diagnosis Procedure

INFOID:000000006888903

1. CHECK CONNECTOR

1. Turn the ignition switch OFF.
2. Disconnect the battery cable from the negative terminal.
3. Check the following terminals and connectors for damage, bend and loose connection (unit side and connector side).
 - A/C auto amp.
 - Harness connector M28 and PCB harness side connector

Is the inspection result normal?

YES >> GO TO 2.

NO >> Repair the terminal and connector.

2. CHECK HARNESS FOR OPEN CIRCUIT

1. Disconnect the connector of A/C auto amp.
2. Check the resistance between the A/C auto amp. harness connector terminals.

A/C auto amp. harness connector			Resistance (Ω)
Connector No.	Terminal No.		
M66	12	11	Approx. 54 – 66

Is the measurement value within the specification?

YES >> GO TO 3.

NO >> GO TO 4.

3. CHECK POWER SUPPLY AND GROUND CIRCUIT

Check the power supply and the ground circuit of the A/C auto amp. Refer to [HAC-156, "A/C AUTO AMP. : Diagnosis Procedure"](#).

Is the inspection result normal?

YES (Present error)>>Replace the A/C auto amp. Refer to [HAC-190, "Removal and Installation"](#).

YES (Past error)>>Error was detected in the A/C auto amp. branch line.

NO >> Repair the power supply and the ground circuit.

4. CHECK HARNESS CONTINUITY (OPEN CIRCUIT)

1. Disconnect the harness connector M28.
2. Check the continuity between the A/C auto amp. harness connector and the harness connector.

A/C auto amp. harness connector		Harness connector		Continuity
Connector No.	Terminal No.	Connector No.	Terminal No.	
M66	12	M28	325	Existed
	11		327	Existed

Is the inspection result normal?

YES >> Replace the PCB harness.

NO >> Repair the harness between the A/C auto amp. harness connector M66 and the harness connector M28.

TCM BRANCH LINE CIRCUIT

< DTC/CIRCUIT DIAGNOSIS >

[CAN SYSTEM (TYPE 6)]

TCM BRANCH LINE CIRCUIT

Diagnosis Procedure

INFOID:000000007205654

1. CHECK CONNECTOR

1. Turn the ignition switch OFF.
2. Disconnect the battery cable from the negative terminal.
3. Check the following terminals and connectors for damage, bend and loose connection (unit side and connector side).
 - A/T assembly
 - Harness connector F103
 - Harness connector M116
 - Harness connector M28 and PCB harness side connector

Is the inspection result normal?

YES >> GO TO 2.

NO >> Repair the terminal and connector.

2. CHECK HARNESS FOR OPEN CIRCUIT

1. Disconnect the connector of A/T assembly.
2. Check the resistance between the A/T assembly harness connector terminals.

A/T assembly harness connector		Resistance (Ω)
Connector No.	Terminal No.	
F61	3 8	Approx. 54 – 66

Is the measurement value within the specification?

YES >> GO TO 3.

NO >> GO TO 5.

3. CHECK HARNESS FOR OPEN CIRCUIT

1. Remove the joint connector. Refer to [TM-181, "Exploded View"](#).
2. Check the continuity between the A/T assembly harness connector side and the TCM harness connector side of the joint connector.

A/T assembly harness connector side	TCM harness connector side	Continuity
Terminal No.	Terminal No.	
3	3	Existed
8	8	Existed

Is the inspection result normal?

YES >> GO TO 4.

NO >> Replace the joint connector.

4. CHECK POWER SUPPLY AND GROUND CIRCUIT

Check the power supply and the ground circuit of the TCM. Refer to [TM-150, "Diagnosis Procedure"](#).

Is the inspection result normal?

YES (Present error)>>Replace the control valve & TCM. Refer to [TM-181, "Exploded View"](#).

YES (Past error)>>Error was detected in the TCM branch line.

NO >> Repair the power supply and the ground circuit.

5. CHECK HARNESS CONTINUITY (OPEN CIRCUIT)

1. Disconnect the harness connector M28.
2. Check the continuity between the A/T assembly harness connector and the harness connector.

A
B
C
D
E
F
G
H
I
J
K
L
N
O
P

LAN

TCM BRANCH LINE CIRCUIT

< DTC/CIRCUIT DIAGNOSIS >

[CAN SYSTEM (TYPE 6)]

A/T assembly harness connector		Harness connector		Continuity
Connector No.	Terminal No.	Connector No.	Terminal No.	
F61	3	M28	346	Existed
	8		347	Existed

Is the inspection result normal?

YES >> Replace the PCB harness.

NO >> Repair the harness between the A/T assembly harness connector F61 and the harness connector M28.

A-BAG BRANCH LINE CIRCUIT

< DTC/CIRCUIT DIAGNOSIS >

[CAN SYSTEM (TYPE 6)]

A-BAG BRANCH LINE CIRCUIT

Diagnosis Procedure

INFOID:000000006888905

WARNING:

- Before servicing, turn ignition switch OFF, disconnect battery negative terminal, and wait 3 minutes or more. (To discharge backup capacitor.)
- Never use unspecified tester or other measuring device.

1. CHECK CONNECTOR

1. Turn the ignition switch OFF.
2. Disconnect the battery cable from the negative terminal.
3. Check the following terminals and connectors for damage, bend and loose connection (unit side and connector side).
 - Air bag diagnosis sensor unit
 - Harness connector M26 and PCB harness side connector

Is the inspection result normal?

- YES >> GO TO 2.
NO >> Replace the main harness and/or the PCB harness.

2. CHECK AIR BAG DIAGNOSIS SENSOR UNIT

Check the air bag diagnosis sensor unit. Refer to [SRC-24. "Work Flow"](#).

Is the inspection result normal?

- YES >> Replace the main harness and/or the PCB harness.
NO >> Replace parts whose air bag system has a malfunction.

A
B
C
D
E
F
G
H
I
J
K
L
N
O
P

LAN

AV BRANCH LINE CIRCUIT

< DTC/CIRCUIT DIAGNOSIS >

[CAN SYSTEM (TYPE 6)]

AV BRANCH LINE CIRCUIT

Diagnosis Procedure

INFOID:000000006888906

1. CHECK CONNECTOR

1. Turn the ignition switch OFF.
2. Disconnect the battery cable from the negative terminal.
3. Check the following terminals and connectors for damage, bend and loose connection (unit side and connector side).
 - AV control unit
 - Harness connector M25 and PCB harness side connector

Is the inspection result normal?

YES >> GO TO 2.

NO >> Repair the terminal and connector.

2. CHECK HARNESS FOR OPEN CIRCUIT

1. Disconnect the connector of AV control unit.
2. Check the resistance between the AV control unit harness connector terminals.
 - Models with navigation system

AV control unit harness connector			Resistance (Ω)
Connector No.	Terminal No.		
M210	90	74	Approx. 54 – 66

- Models without navigation system

AV control unit harness connector			Resistance (Ω)
Connector No.	Terminal No.		
M84	81	80	Approx. 54 – 66

Is the measurement value within the specification?

YES >> GO TO 3.

NO >> GO TO 4.

3. CHECK POWER SUPPLY AND GROUND CIRCUIT

Check the power supply and the ground circuit of the AV control unit. Refer to the following.

- Base audio without navigation system: [AV-72. "AV CONTROL UNIT : Diagnosis Procedure"](#)
- BOSE audio with navigation system: [AV-236. "AV CONTROL UNIT : Diagnosis Procedure"](#)

Is the inspection result normal?

YES (Present error)>>Replace the AV control unit. Refer to the following.

- Base audio without navigation system: [AV-103. "Removal and Installation"](#)
- BOSE audio with navigation system: [AV-263. "Removal and Installation"](#)

YES (Past error)>>Error was detected in the AV control unit branch line.

NO >> Repair the power supply and the ground circuit.

4. CHECK HARNESS CONTINUITY (OPEN CIRCUIT)

1. Disconnect the harness connector M25.
2. Check the continuity between the AV control unit harness connector and the harness connector.
 - Models with navigation system

AV control unit harness connector		Harness connector		Continuity
Connector No.	Terminal No.	Connector No.	Terminal No.	
M210	90	M25	201	Existed
	74		221	Existed

- Models without navigation system

AV BRANCH LINE CIRCUIT

< DTC/CIRCUIT DIAGNOSIS >

[CAN SYSTEM (TYPE 6)]

AV control unit harness connector		Harness connector		Continuity
Connector No.	Terminal No.	Connector No.	Terminal No.	
M84	81	M25	201	Existed
	80		221	Existed

Is the inspection result normal?

YES >> Replace the PCB harness.

NO (With navigation system)>>Repair the harness between the AV control unit harness connector M210 and the harness connector M25.

NO (Without navigation system)>>Repair the harness between the AV control unit harness connector M84 and the harness connector M25.

A
B
C
D
E
F
G
H
I
J
K
L

LAN

N
O
P

M&A BRANCH LINE CIRCUIT

Diagnosis Procedure

INFOID:000000006888907

1. CHECK CONNECTOR

1. Turn the ignition switch OFF.
2. Disconnect the battery cable from the negative terminal.
3. Check the following terminals and connectors for damage, bend and loose connection (unit side and connector side).
 - Combination meter
 - Harness connector M24 and PCB harness side connector

Is the inspection result normal?

- YES >> GO TO 2.
 NO >> Repair the terminal and connector.

2. CHECK HARNESS FOR OPEN CIRCUIT

1. Disconnect the connector of combination meter.
2. Check the resistance between the combination meter harness connector terminals.

Combination meter harness connector			Resistance (Ω)
Connector No.	Terminal No.		
M53	14	15	Approx. 54 – 66

Is the measurement value within the specification?

- YES >> GO TO 3.
 NO >> GO TO 4.

3. CHECK POWER SUPPLY AND GROUND CIRCUIT

Check the power supply and the ground circuit of the combination meter Refer to [MWI-59. "COMBINATION METER : Diagnosis Procedure"](#).

Is the inspection result normal?

- YES (Present error)>>Replace the combination meter. Refer to [MWI-79. "Removal and Installation"](#).
 YES (Past error)>>Error was detected in the combination meter branch line.
 NO >> Repair the power supply and the ground circuit.

4. CHECK HARNESS CONTINUITY (OPEN CIRCUIT)

1. Disconnect the harness connector M24.
2. Check the continuity between the combination meter harness connector and the harness connector.

Combination meter harness connector		Harness connector		Continuity
Connector No.	Terminal No.	Connector No.	Terminal No.	
M53	14	M24	176	Existed
	15		177	Existed

Is the inspection result normal?

- YES >> Replace the PCB harness.
 NO >> Repair the harness between the combination meter harness connector M53 and the harness connector M24.

DLC BRANCH LINE CIRCUIT

< DTC/CIRCUIT DIAGNOSIS >

[CAN SYSTEM (TYPE 6)]

DLC BRANCH LINE CIRCUIT

Diagnosis Procedure

INFOID:000000007205655

1. CHECK CONNECTOR

1. Turn the ignition switch OFF.
2. Disconnect the battery cable from the negative terminal.
3. Check the following terminals and connectors for damage, bend and loose connection (unit side and connector side).
 - Data link connector
 - Harness connector M181
 - Harness connector M105
 - Harness connector M23 and PCB harness side connector

Is the inspection result normal?

YES >> GO TO 2.

NO >> Repair the terminal and connector.

2. CHECK HARNESS FOR OPEN CIRCUIT

Check the resistance between the data link connector terminals.

Data link connector			Resistance (Ω)
Connector No.	Terminal No.		
M182	6	14	Approx. 54 – 66

Is the measurement value within the specification?

YES (Present error)>>Check CAN system type decision again.

YES (Past error)>>Error was detected in the data link connector branch line circuit.

NO >> GO TO 3.

3. CHECK HARNESS CONTINUITY (OPEN CIRCUIT)

1. Disconnect the harness connector M23.
2. Check the continuity between the data link connector and the harness connector.

Data link connector		Harness connector		Continuity
Connector No.	Terminal No.	Connector No.	Terminal No.	
M182	6	M23	151	Existed
	14		150	Existed

Is the inspection result normal?

YES >> Replace the PCB harness.

NO >> Repair the harness between the data link connector M182 and the harness connector M23.

A
B
C
D
E
F
G
H
I
J
K
L

LAN

N
O
P

BCM BRANCH LINE CIRCUIT

< DTC/CIRCUIT DIAGNOSIS >

[CAN SYSTEM (TYPE 6)]

BCM BRANCH LINE CIRCUIT

Diagnosis Procedure

INFOID:000000006888909

1. CHECK CONNECTOR

1. Turn the ignition switch OFF.
2. Disconnect the battery cable from the negative terminal.
3. Check the following terminals and connectors for damage, bend and loose connection (unit side and connector side).
 - BCM
 - Harness connector M22 and PCB harness side connector

Is the inspection result normal?

- YES >> GO TO 2.
NO >> Repair the terminal and connector.

2. CHECK HARNESS FOR OPEN CIRCUIT

1. Disconnect the connector of BCM.
2. Check the resistance between the BCM harness connector terminals.

BCM harness connector			Resistance (Ω)
Connector No.	Terminal No.		
M120	39	40	Approx. 54 – 66

Is the measurement value within the specification?

- YES >> GO TO 3.
NO >> GO TO 4.

3. CHECK POWER SUPPLY AND GROUND CIRCUIT

Check the power supply and the ground circuit of the BCM. Refer to [BCS-75. "Diagnosis Procedure"](#).

Is the inspection result normal?

- YES (Present error)>>Replace the BCM. Refer to [BCS-82. "Removal and Installation"](#).
YES (Past error)>>Error was detected in the BCM branch line.
NO >> Repair the power supply and the ground circuit.

4. CHECK HARNESS CONTINUITY (OPEN CIRCUIT)

1. Disconnect the harness connector M22.
2. Check the continuity between the BCM harness connector and the harness connector.

BCM harness connector		Harness connector		Continuity
Connector No.	Terminal No.	Connector No.	Terminal No.	
M120	39	M22	101	Existed
	40		102	Existed

Is the inspection result normal?

- YES >> Replace the PCB harness.
NO >> Repair the harness between the BCM harness connector M120 and the harness connector M22.

STRG BRANCH LINE CIRCUIT

< DTC/CIRCUIT DIAGNOSIS >

[CAN SYSTEM (TYPE 6)]

STRG BRANCH LINE CIRCUIT

Diagnosis Procedure

INFOID:000000006888910

1.CHECK CONNECTOR

1. Turn the ignition switch OFF.
2. Disconnect the battery cable from the negative terminal.
3. Check the following terminals and connectors for damage, bend and loose connection (unit side and connector side).
 - Steering angle sensor
 - Harness connector M22 and PCB harness side connector

Is the inspection result normal?

YES >> GO TO 2.

NO >> Repair the terminal and connector.

2.CHECK HARNESS FOR OPEN CIRCUIT

1. Disconnect the connector of steering angle sensor.
2. Check the resistance between the steering angle sensor harness connector terminals.

Steering angle sensor harness connector			Resistance (Ω)
Connector No.	Terminal No.		
M37	1	2	Approx. 54 – 66

Is the measurement value within the specification?

YES >> GO TO 3.

NO >> GO TO 4.

3.CHECK POWER SUPPLY AND GROUND CIRCUIT

Check the power supply and the ground circuit of the steering angle sensor. Refer to [BRC-53. "Wiring Diagram"](#).

Is the inspection result normal?

YES (Present error)>>Replace the steering angle sensor. Refer to [BRC-144. "Removal and Installation"](#).

YES (Past error)>>Error was detected in the steering angle sensor branch line.

NO >> Repair the power supply and the ground circuit.

4.CHECK HARNESS CONTINUITY (OPEN CIRCUIT)

1. Disconnect the harness connector M22.
2. Check the continuity between the steering angle sensor harness connector and the harness connector.

Steering angle sensor harness connector		Harness connector		Continuity
Connector No.	Terminal No.	Connector No.	Terminal No.	
M37	1	M22	81	Existed
	2		82	Existed

Is the inspection result normal?

YES >> Replace the PCB harness.

NO >> Repair the harness between the steering angle sensor harness connector M37 and the harness connector M22.

A
B
C
D
E
F
G
H
I
J
K
L
N
O
P

LAN

RAS BRANCH LINE CIRCUIT

Diagnosis Procedure

INFOID:000000006888911

1. CHECK CONNECTOR

1. Turn the ignition switch OFF.
2. Disconnect the battery cable from the negative terminal.
3. Check the terminals and connectors of the 4WAS main control unit for damage, bend and loose connection (unit side and connector side).

Is the inspection result normal?

- YES >> GO TO 2.
 NO >> Repair the terminal and connector.

2. CHECK HARNESS FOR OPEN CIRCUIT

1. Disconnect the connector of 4WAS main control unit.
2. Check the resistance between the 4WAS main control unit harness connector terminals.

4WAS main control unit harness connector			Resistance (Ω)
Connector No.	Terminal No.		
B54	1	8	Approx. 54 – 66

Is the measurement value within the specification?

- YES >> GO TO 3.
 NO >> Replace the body harness.

3. CHECK POWER SUPPLY AND GROUND CIRCUIT

Check the power supply and the ground circuit of the 4WAS main control unit. Refer to [STC-160, "Diagnosis Procedure \(4WAS Main Control Unit\)"](#).

Is the inspection result normal?

- YES (Present error)>>Replace the 4WAS main control unit. Refer to [STC-174, "Removal and Installation"](#).
 YES (Past error)>>Error was detected in the 4WAS main control unit branch line.
 NO >> Repair the power supply and the ground circuit.

ABS BRANCH LINE CIRCUIT

< DTC/CIRCUIT DIAGNOSIS >

[CAN SYSTEM (TYPE 6)]

ABS BRANCH LINE CIRCUIT

Diagnosis Procedure

INFOID:000000006888912

1. CHECK CONNECTOR

1. Turn the ignition switch OFF.
2. Disconnect the battery cable from the negative terminal.
3. Check the terminals and connectors of the ABS actuator and electric unit (control unit) for damage, bend and loose connection (unit side and connector side).

Is the inspection result normal?

- YES >> GO TO 2.
NO >> Repair the terminal and connector.

2. CHECK HARNESS FOR OPEN CIRCUIT

1. Disconnect the connector of ABS actuator and electric unit (control unit).
2. Check the resistance between the ABS actuator and electric unit (control unit) harness connector terminals.

ABS actuator and electric unit (control unit) harness connector			Resistance (Ω)
Connector No.	Terminal No.		
E41	25	15	Approx. 54 – 66

Is the measurement value within the specification?

- YES >> GO TO 3.
NO >> Repair the ABS actuator and electric unit (control unit) branch line.

3. CHECK POWER SUPPLY AND GROUND CIRCUIT

Check the power supply and the ground circuit of the ABS actuator and electric unit (control unit). Refer to [BRC-119, "Diagnosis Procedure"](#).

Is the inspection result normal?

- YES (Present error)>>Replace the ABS actuator and electric unit (control unit). Refer to [BRC-141, "Removal and Installation"](#).
YES (Past error)>>Error was detected in the ABS actuator and electric unit (control unit) branch line.
NO >> Repair the power supply and the ground circuit.

A
B
C
D
E
F
G
H
I
J
K
L

LAN

IPDM-E BRANCH LINE CIRCUIT

< DTC/CIRCUIT DIAGNOSIS >

[CAN SYSTEM (TYPE 6)]

IPDM-E BRANCH LINE CIRCUIT

Diagnosis Procedure

INFOID:000000006888913

1. CHECK CONNECTOR

1. Turn the ignition switch OFF.
2. Disconnect the battery cable from the negative terminal.
3. Check the terminals and connectors of the IPDM E/R for damage, bend and loose connection (unit side and connector side).

Is the inspection result normal?

- YES >> GO TO 2.
NO >> Repair the terminal and connector.

2. CHECK HARNESS FOR OPEN CIRCUIT

1. Disconnect the connector of IPDM E/R.
2. Check the resistance between the IPDM E/R harness connector terminals.

IPDM E/R harness connector			Resistance (Ω)
Connector No.	Terminal No.		
E6	40	39	Approx. 108 – 132

Is the measurement value within the specification?

- YES >> GO TO 3.
NO >> Repair the IPDM E/R branch line.

3. CHECK POWER SUPPLY AND GROUND CIRCUIT

Check the power supply and the ground circuit of the IPDM E/R. Refer to [PCS-32, "Diagnosis Procedure"](#).

Is the inspection result normal?

- YES (Present error)>>Replace the IPDM E/R. Refer to [PCS-33, "Removal and Installation"](#).
YES (Past error)>>Error was detected in the IPDM E/R branch line.
NO >> Repair the power supply and the ground circuit.

ADP BRANCH LINE CIRCUIT

< DTC/CIRCUIT DIAGNOSIS >

[CAN SYSTEM (TYPE 6)]

ADP BRANCH LINE CIRCUIT

Diagnosis Procedure

INFOID:000000007205656

1. CHECK CONNECTOR

1. Turn the ignition switch OFF.
2. Disconnect the battery cable from the negative terminal.
3. Check the following terminals and connectors for damage, bend and loose connection (unit side and connector side).
 - Driver seat control unit
 - Harness connector B501
 - Harness connector B11
 - CAN gateway (With ICC system)

Is the inspection result normal?

YES (With ICC system)>>GO TO 2.

YES (Without ICC system)>>GO TO 3.

NO >> Repair the terminal and connector.

2. CHECK HARNESS CONTINUITY (OPEN CIRCUIT)

1. Disconnect the connector of CAN gateway.
2. Check the continuity between the CAN gateway harness connector terminals.

CAN gateway harness connector			Continuity
Connector No.	Terminal No.		
M125	4	6	Existed
	10	12	Existed

Is the inspection result normal?

YES >> GO TO 3.

NO >> Check the harness and repair or replace (if shield line is open) the root cause (CAN communication circuit 2 side). Refer to [LAN-47, "System Diagram"](#).

3. CHECK HARNESS FOR OPEN CIRCUIT

1. Connect the connector of CAN gateway. (With ICC system)
2. Disconnect the connector of driver seat control unit.
3. Check the resistance between the driver seat control unit harness connector terminals.

Driver seat control unit harness connector			Resistance (Ω)
Connector No.	Terminal No.		
B514	23	24	Approx. 54 – 66

Is the measurement value within the specification?

YES >> GO TO 4.

NO >> Repair the driver seat control unit branch line.

4. CHECK POWER SUPPLY AND GROUND CIRCUIT

Check the power supply and the ground circuit of the driver seat control unit. Refer to [ADP-61, "DRIVER SEAT CONTROL UNIT : Diagnosis Procedure"](#).

Is the inspection result normal?

YES (Present error)>>Replace the driver seat control unit. Refer to [ADP-134, "Removal and Installation"](#).

YES (Past error)>>Error was detected in the driver seat control unit branch line.

NO >> Repair the power supply and the ground circuit.

CAN COMMUNICATION CIRCUIT

< DTC/CIRCUIT DIAGNOSIS >

[CAN SYSTEM (TYPE 6)]

CAN COMMUNICATION CIRCUIT

Diagnosis Procedure

INFOID:000000006888915

1. CONNECTOR INSPECTION

1. Turn the ignition switch OFF.
2. Disconnect the battery cable from the negative terminal.
3. Disconnect all the unit connectors on CAN communication system.
4. Check terminals and connectors for damage, bend and loose connection.

Is the inspection result normal?

- YES >> GO TO 2.
NO >> Repair the terminal and connector.

2. CHECK HARNESS CONTINUITY (SHORT CIRCUIT)

Check the continuity between the data link connector terminals.

Data link connector			Continuity
Connector No.	Terminal No.		
M182	6	14	Not existed

Is the inspection result normal?

- YES >> GO TO 3.
NO >> Check the harness and repair or replace (if shield line or PCB harness is short) the root cause.

3. CHECK HARNESS CONTINUITY (SHORT CIRCUIT)

Check the continuity between the data link connector and the ground.

Data link connector		Ground	Continuity
Connector No.	Terminal No.		
M182	6		Not existed
	14		Not existed

Is the inspection result normal?

- YES >> GO TO 4.
NO >> Check the harness and repair or replace (if shield line or PCB harness is short) the root cause.

4. CHECK ECM AND IPDM E/R TERMINATION CIRCUIT

1. Remove the ECM and the IPDM E/R.
2. Check the resistance between the ECM terminals.
 - VQ37VHR

ECM		Resistance (Ω)
Terminal No.		
114	113	Approx. 108 – 132

- VK56VD

ECM		Resistance (Ω)
Terminal No.		
146	151	Approx. 108 – 132

3. Check the resistance between the IPDM E/R terminals.

IPDM E/R		Resistance (Ω)
Terminal No.		
40	39	Approx. 108 – 132

CAN COMMUNICATION CIRCUIT

< DTC/CIRCUIT DIAGNOSIS >

[CAN SYSTEM (TYPE 6)]

Is the measurement value within the specification?

YES >> GO TO 5.

NO >> Replace the ECM and/or the IPDM E/R.

5.CHECK SYMPTOM

Connect all the connectors. Check if the symptoms described in the “Symptom (Results from interview with customer)” are reproduced.

Inspection result

Reproduced>>GO TO 6.

Non-reproduced>>Start the diagnosis again. Follow the trouble diagnosis procedure when past error is detected.

6.CHECK UNIT REPRODUCTION

Perform the reproduction test as per the following procedure for each unit.

1. Turn the ignition switch OFF.
2. Disconnect the battery cable from the negative terminal.
3. Disconnect one of the unit connectors of CAN communication system.

NOTE:

ECM and IPDM E/R have a termination circuit. Check other units first.

4. Connect the battery cable to the negative terminal. Check if the symptoms described in the “Symptom (Results from interview with customer)” are reproduced.

NOTE:

Although unit-related error symptoms occur, do not confuse them with other symptoms.

Inspection result

Reproduced>>Connect the connector. Check other units as per the above procedure.

Non-reproduced>>Replace the unit whose connector was disconnected.

A
B
C
D
E
F
G
H
I
J
K
L

LAN

N
O
P

MAIN LINE BETWEEN TPMS AND HVAC CIRCUIT

< DTC/CIRCUIT DIAGNOSIS >

[CAN SYSTEM (TYPE 7)]

DTC/CIRCUIT DIAGNOSIS

MAIN LINE BETWEEN TPMS AND HVAC CIRCUIT

Diagnosis Procedure

INFOID:000000006888916

1. CHECK HARNESS CONTINUITY (OPEN CIRCUIT)

1. Turn the ignition switch OFF.
2. Disconnect the battery cable from the negative terminal.
3. Disconnect the following harness connectors.
 - ECM
 - Low tire pressure warning control unit
 - A/C auto amp.
4. Check the continuity between the low tire pressure warning control unit harness connector and the A/C auto amp. harness connector.

Low tire pressure warning control unit harness connector		A/C auto amp. harness connector		Continuity
Connector No.	Terminal No.	Connector No.	Terminal No.	
M43	2	M66	12	Existed
	1		11	Existed

Is the inspection result normal?

YES (Present error)>>Check CAN system type decision again.

YES (Past error)>>Error was detected in the main line between the low tire pressure warning control unit and the A/C auto amp.

NO >> Replace the PCB harness.

MAIN LINE BETWEEN HVAC AND A-BAG CIRCUIT

< DTC/CIRCUIT DIAGNOSIS >

[CAN SYSTEM (TYPE 7)]

MAIN LINE BETWEEN HVAC AND A-BAG CIRCUIT

Diagnosis Procedure

INFOID:000000006888917

1. CHECK HARNESS CONTINUITY (OPEN CIRCUIT)

1. Turn the ignition switch OFF.
2. Disconnect the battery cable from the negative terminal.
3. Disconnect the following harness connectors.
 - ECM
 - A/C auto amp.
 - AV control unit
4. Check the continuity between the A/C auto amp. harness connector and the AV control unit harness connector.
 - Models with navigation system

A/C auto amp. harness connector		AV control unit harness connector		Continuity
Connector No.	Terminal No.	Connector No.	Terminal No.	
M66	12	M210	90	Existed
	11		74	Existed

- Models without navigation system

A/C auto amp. harness connector		AV control unit harness connector		Continuity
Connector No.	Terminal No.	Connector No.	Terminal No.	
M66	12	M84	81	Existed
	11		80	Existed

Is the inspection result normal?

YES (Present error)>>Check CAN system type decision again.

YES (Past error)>>Error was detected in the main line between the A/C auto amp. and the air bag diagnosis sensor unit.

NO >> Replace the PCB harness.

A
B
C
D
E
F
G
H
I
J
K
L

LAN

N
O
P

MAIN LINE BETWEEN A-BAG AND AV CIRCUIT

< DTC/CIRCUIT DIAGNOSIS >

[CAN SYSTEM (TYPE 7)]

MAIN LINE BETWEEN A-BAG AND AV CIRCUIT

Diagnosis Procedure

INFOID:000000006888918

1. CHECK HARNESS CONTINUITY (OPEN CIRCUIT)

1. Turn the ignition switch OFF.
2. Disconnect the battery cable from the negative terminal.
3. Disconnect the following harness connectors.
 - ECM
 - A/C auto amp.
 - AV control unit
4. Check the continuity between the A/C auto amp. harness connector and the AV control unit harness connector.
 - Models with navigation system

A/C auto amp. harness connector		AV control unit harness connector		Continuity
Connector No.	Terminal No.	Connector No.	Terminal No.	
M66	12	M210	90	Existed
	11		74	Existed

- Models without navigation system

A/C auto amp. harness connector		AV control unit harness connector		Continuity
Connector No.	Terminal No.	Connector No.	Terminal No.	
M66	12	M84	81	Existed
	11		80	Existed

Is the inspection result normal?

YES (Present error)>>Check CAN system type decision again.

YES (Past error)>>Error was detected in the main line between the air bag diagnosis sensor unit and the AV control unit.

NO >> Replace the PCB harness.

MAIN LINE BETWEEN AV AND M&A CIRCUIT

< DTC/CIRCUIT DIAGNOSIS >

[CAN SYSTEM (TYPE 7)]

MAIN LINE BETWEEN AV AND M&A CIRCUIT

Diagnosis Procedure

INFOID:000000006888919

1. CHECK HARNESS CONTINUITY (OPEN CIRCUIT)

1. Turn the ignition switch OFF.
2. Disconnect the battery cable from the negative terminal.
3. Disconnect the following harness connectors.
 - ECM
 - AV control unit
 - Combination meter
4. Check the continuity between the AV control unit harness connector and the combination meter harness connector.
 - Models with navigation system

AV control unit harness connector		Combination meter harness connector		Continuity
Connector No.	Terminal No.	Connector No.	Terminal No.	
M210	90	M53	14	Existed
	74		15	Existed

- Models without navigation system

AV control unit harness connector		Combination meter harness connector		Continuity
Connector No.	Terminal No.	Connector No.	Terminal No.	
M84	81	M53	14	Existed
	80		15	Existed

Is the inspection result normal?

YES (Present error)>>Check CAN system type decision again.

YES (Past error)>>Error was detected in the main line between the AV control unit and the combination meter.

NO >> Replace the PCB harness.

A
B
C
D
E
F
G
H
I
J
K
L
N
O
P

LAN

MAIN LINE BETWEEN M&A AND DLC CIRCUIT

< DTC/CIRCUIT DIAGNOSIS >

[CAN SYSTEM (TYPE 7)]

MAIN LINE BETWEEN M&A AND DLC CIRCUIT

Diagnosis Procedure

INFOID:000000006888920

1. CHECK HARNESS CONTINUITY (OPEN CIRCUIT)

1. Turn the ignition switch OFF.
2. Disconnect the battery cable from the negative terminal.
3. Disconnect the following harness connectors.
 - ECM
 - Combination meter
 - Harness connectors M105 and M181
4. Check the continuity between the combination meter harness connector and the harness connector.

Combination meter harness connector		Harness connector		Continuity
Connector No.	Terminal No.	Connector No.	Terminal No.	
M53	14	M105	7	Existed
	15		8	Existed

Is the inspection result normal?

YES (Present error)>>Check CAN system type decision again.

YES (Past error)>>Error was detected in the main line between the combination meter and the data link connector.

NO >> Replace the PCB harness.

MAIN LINE BETWEEN DLC AND BCM CIRCUIT

< DTC/CIRCUIT DIAGNOSIS >

[CAN SYSTEM (TYPE 7)]

MAIN LINE BETWEEN DLC AND BCM CIRCUIT

Diagnosis Procedure

INFOID:000000006888921

1. CHECK HARNESS CONTINUITY (OPEN CIRCUIT)

1. Turn the ignition switch OFF.
2. Disconnect the battery cable from the negative terminal.
3. Disconnect the following harness connectors.
 - ECM
 - Harness connectors M181 and M105
 - BCM
4. Check the continuity between the harness connector and the BCM harness connector.

Harness connector		BCM harness connector		Continuity
Connector No.	Terminal No.	Connector No.	Terminal No.	
M105	7	M120	39	Existed
	8		40	Existed

Is the inspection result normal?

YES (Present error)>>Check CAN system type decision again.

YES (Past error)>>Error was detected in the main line between the data link connector and the BCM.

NO >> Replace the PCB harness.

A
B
C
D
E
F
G
H
I
J
K
L

LAN

N
O
P

MAIN LINE BETWEEN BCM AND ABS CIRCUIT

< DTC/CIRCUIT DIAGNOSIS >

[CAN SYSTEM (TYPE 7)]

MAIN LINE BETWEEN BCM AND ABS CIRCUIT

Diagnosis Procedure

INFOID:000000006888922

1. CHECK CONNECTOR

1. Turn the ignition switch OFF.
2. Disconnect the battery cable from the negative terminal.
3. Check the following terminals and connectors for damage, bend and loose connection (connector side and harness side).
 - Harness connector M20 and PCB harness side connector
 - Harness connector M7
 - Harness connector B1
 - Harness connector M6
 - Harness connector E106

Is the inspection result normal?

YES >> GO TO 2.

NO >> Repair the terminal and connector.

2. CHECK HARNESS CONTINUITY (OPEN CIRCUIT)

1. Disconnect the following harness connectors.
 - BCM
 - Harness connector M20
2. Check the continuity between the BCM harness connector and the PCB harness connector.

BCM harness connector		PCB harness connector		Continuity
Connector No.	Terminal No.	Terminal No.		
M120	39	35		Existed
	40	36		Existed

Is the inspection result normal?

YES >> GO TO 3.

NO >> Replace the PCB harness.

3. CHECK HARNESS CONTINUITY (OPEN CIRCUIT)

1. Disconnect the harness connectors M7 and B1.
2. Check the continuity between the harness connectors.

Harness connector		Harness connector		Continuity
Connector No.	Terminal No.	Connector No.	Terminal No.	
M20	35	M7	72	Existed
	36		73	Existed

Is the inspection result normal?

YES >> GO TO 4.

NO >> Repair the main line between the harness connectors M20 and M7.

4. CHECK HARNESS CONTINUITY (OPEN CIRCUIT)

Check the continuity between the harness connector terminals.

Connector No.	Terminal No.		Continuity
B1	72	74	Existed
	73	75	Existed

Is the inspection result normal?

YES >> GO TO 5.

NO >> Repair the main line between the harness connector terminals.

5. CHECK HARNESS CONTINUITY (OPEN CIRCUIT)

MAIN LINE BETWEEN BCM AND ABS CIRCUIT

< DTC/CIRCUIT DIAGNOSIS >

[CAN SYSTEM (TYPE 7)]

1. Disconnect the harness connectors M6 and E106.
2. Check the continuity between the harness connectors.

A
B
C

Harness connector		Harness connector		Continuity
Connector No.	Terminal No.	Connector No.	Terminal No.	
M7	74	M6	22	Existed
	75		23	Existed

Is the inspection result normal?

- YES >> GO TO 6.
NO >> Repair the main line between the harness connectors M7 and M6.

D

6.CHECK HARNESS CONTINUITY (OPEN CIRCUIT)

1. Disconnect the connector of ABS actuator and electric unit (control unit).
2. Check the continuity between the harness connector and the ABS actuator and electric unit (control unit) harness connector.

E
F

Harness connector		ABS actuator and electric unit (control unit) harness connector		Continuity
Connector No.	Terminal No.	Connector No.	Terminal No.	
E106	22	E41	25	Existed
	23		15	Existed

G

Is the inspection result normal?

- YES (Present error)>>Check CAN system type decision again.
YES (Past error)>>Error was detected in the main line between the BCM and the ABS actuator and electric unit (control unit).
NO >> Repair the main line between the harness connector E106 and the ABS actuator and electric unit (control unit).

H
I
J
K

L

LAN

N
O
P

MAIN LINE BETWEEN DLC AND ADP CIRCUIT

< DTC/CIRCUIT DIAGNOSIS >

[CAN SYSTEM (TYPE 7)]

MAIN LINE BETWEEN DLC AND ADP CIRCUIT

Diagnosis Procedure

INFOID:000000007205551

1.CHECK CONNECTOR

1. Turn the ignition switch OFF.
2. Disconnect the battery cable from the negative terminal.
3. Check the following terminals and connectors for damage, bend and loose connection (connector side and harness side).
 - Harness connector M20 and PCB harness side connector
 - Harness connector M7
 - Harness connector B1

Is the inspection result normal?

YES >> GO TO 2.

NO >> Repair the terminal and connector.

2.CHECK HARNESS CONTINUITY (OPEN CIRCUIT)

1. Disconnect the harness connector M20.
2. Check the continuity between the data link connector and the PCB harness connector.

Data link connector		PCB harness connector		Continuity
Connector No.	Terminal No.	Terminal No.		
M182	13	24		Existed
	12	27		Existed

Is the inspection result normal?

YES >> GO TO 3.

NO >> Replace the PCB harness.

3.CHECK HARNESS CONTINUITY (OPEN CIRCUIT)

1. Disconnect the harness connectors M7 and B1.
2. Check the continuity between the harness connectors.

Harness connector		Harness connector		Continuity
Connector No.	Terminal No.	Connector No.	Terminal No.	
M20	24	M7	34	Existed
	27		35	Existed

Is the inspection result normal?

YES >> GO TO 4.

NO >> Repair the main line between the harness connectors M20 and M7.

4.CHECK HARNESS CONTINUITY (OPEN CIRCUIT)

Check the continuity between the harness connector terminals.

Connector No.	Terminal No.		Continuity
B1	34	32	Existed
	35	33	Existed

Is the inspection result normal?

YES (Present error)>>Check CAN system type decision again.

YES (Past error)>>Error was detected in the main line between the data link connector and the driver seat control unit.

NO >> Replace the body harness.

MAIN LINE BETWEEN RDR-L AND RDR-R CIRCUIT

< DTC/CIRCUIT DIAGNOSIS >

[CAN SYSTEM (TYPE 7)]

MAIN LINE BETWEEN RDR-L AND RDR-R CIRCUIT

Diagnosis Procedure

INFOID:000000006888923

1. CHECK CONNECTOR

1. Turn the ignition switch OFF.
2. Disconnect the battery cable from the negative terminal.
3. Check the following terminals and connectors for damage, bend and loose connection (connector side and harness side).
 - Harness connector B33
 - Harness connector B245

Is the inspection result normal?

YES >> GO TO 2.

NO >> Repair the terminal and connector.

2. CHECK HARNESS CONTINUITY (OPEN CIRCUIT)

1. Disconnect the following harness connectors.
 - Side radar LH
 - Harness connectors B33 and B245
2. Check the continuity between the side radar LH harness connector and the harness connector.

Side radar LH harness connector		Harness connector		Continuity
Connector No.	Terminal No.	Connector No.	Terminal No.	
B52	4	B33	13	Existed
	3		14	Existed

Is the inspection result normal?

YES >> GO TO 3.

NO >> Repair the main line between the side radar LH and the harness connector B33.

3. CHECK HARNESS CONTINUITY (OPEN CIRCUIT)

1. Disconnect the connector of side radar RH.
2. Check the continuity between the harness connector and the side radar RH harness connector.

Harness connector		Side radar RH harness connector		Continuity
Connector No.	Terminal No.	Connector No.	Terminal No.	
B245	13	B252	4	Existed
	14		3	Existed

Is the inspection result normal?

YES (Present error)>>Check CAN system type decision again.

YES (Past error)>>Error was detected in the main line between the side radar LH and the side radar RH.

NO >> Repair the main line between the harness connector B245 and the side radar RH.

A
B
C
D
E
F
G
H
I
J
K
L
N
O
P

LAN

MAIN LINE BETWEEN RDR-R AND APA CIRCUIT

< DTC/CIRCUIT DIAGNOSIS >

[CAN SYSTEM (TYPE 7)]

MAIN LINE BETWEEN RDR-R AND APA CIRCUIT

Diagnosis Procedure

INFOID:000000006888924

1.CHECK CONNECTOR

1. Turn the ignition switch OFF.
2. Disconnect the battery cable from the negative terminal.
3. Check the following terminals and connectors for damage, bend and loose connection (connector side and harness side).
 - Harness connector B201
 - Harness connector M117
 - Harness connector M20 and PCB harness side connector

Is the inspection result normal?

YES >> GO TO 2.

NO >> Repair the terminal and connector.

2.CHECK HARNESS CONTINUITY (OPEN CIRCUIT)

1. Disconnect the following harness connectors.
 - Side radar RH
 - Harness connectors B201 and M117
2. Check the continuity between the side radar RH harness connector and the harness connector.

Side radar RH harness connector		Harness connector		Continuity
Connector No.	Terminal No.	Connector No.	Terminal No.	
B252	4	B201	66	Existed
	3		67	Existed

Is the inspection result normal?

YES >> GO TO 3.

NO >> Repair the main line between the side radar RH and the harness connector B201.

3.CHECK HARNESS CONTINUITY (OPEN CIRCUIT)

1. Disconnect the harness connector M20.
2. Check the continuity between the harness connectors.

Harness connector		Harness connector		Continuity
Connector No.	Terminal No.	Connector No.	Terminal No.	
M117	66	M20	38	Existed
	67		40	Existed

Is the inspection result normal?

YES >> GO TO 4.

NO >> Repair the main line between the harness connectors M117 and M20.

4.CHECK HARNESS CONTINUITY (OPEN CIRCUIT)

1. Disconnect the harness connectors M150 and M151.
2. Check the continuity between the PCB harness connector and the harness connector.

PCB harness connector		Harness connector		Continuity
Terminal No.	Terminal No.	Connector No.	Terminal No.	
38		M150	11	Existed
40			10	Existed

Is the inspection result normal?

YES (Present error)>>Check CAN system type decision again.

YES (Past error)>>Error was detected in the main line between the side radar RH and the accelerator pedal actuator.

MAIN LINE BETWEEN RDR-R AND APA CIRCUIT

< DTC/CIRCUIT DIAGNOSIS >

[CAN SYSTEM (TYPE 7)]

NO >> Replace the PCB harness.

A

B

C

D

E

F

G

H

I

J

K

L

LAN

N

O

P

MAIN LINE BETWEEN APA AND LANE CIRCUIT

< DTC/CIRCUIT DIAGNOSIS >

[CAN SYSTEM (TYPE 7)]

MAIN LINE BETWEEN APA AND LANE CIRCUIT

Diagnosis Procedure

INFOID:000000006888925

1. CHECK HARNESS CONTINUITY (OPEN CIRCUIT)

1. Turn the ignition switch OFF.
2. Disconnect the battery cable from the negative terminal.
3. Disconnect the following harness connectors.
 - ADAS control unit
 - Harness connectors M151 and M150
 - Harness connectors M110 and R7
4. Check the continuity between the harness connectors.

Harness connector		Harness connector		Continuity
Connector No.	Terminal No.	Connector No.	Terminal No.	
M150	11	M110	13	Existed
	10		2	Existed

Is the inspection result normal?

YES (Present error)>>Check CAN system type decision again.

YES (Past error)>>Error was detected in the main line between the accelerator pedal actuator and the lane camera unit.

NO >> Replace the PCB harness.

ECM BRANCH LINE CIRCUIT

< DTC/CIRCUIT DIAGNOSIS >

[CAN SYSTEM (TYPE 7)]

ECM BRANCH LINE CIRCUIT

Diagnosis Procedure

INFOID:000000007217835

1. CHECK CONNECTOR

1. Turn the ignition switch OFF.
2. Disconnect the battery cable from the negative terminal.
3. Check the following terminals and connectors for damage, bend and loose connection (unit side and connector side).
 - ECM
 - Harness connector M30 and PCB harness side connector

Is the inspection result normal?

YES >> GO TO 2.

NO >> Repair the terminal and connector.

2. CHECK HARNESS FOR OPEN CIRCUIT

1. Disconnect the connector of ECM.
2. Check the resistance between the ECM harness connector terminals.
 - VQ37VHR

ECM harness connector			Resistance (Ω)
Connector No.	Terminal No.		
M107	114	113	Approx. 108 – 132

- VK56VD

ECM harness connector			Resistance (Ω)
Connector No.	Terminal No.		
M160	146	151	Approx. 108 – 132

Is the measurement value within the specification?

YES >> GO TO 3.

NO >> GO TO 4.

3. CHECK POWER SUPPLY AND GROUND CIRCUIT

Check the power supply and the ground circuit of the ECM. Refer to the following.

- VQ37VHR for USA and Canada: [EC-180, "Diagnosis Procedure"](#)
- VQ37VHR for Mexico: [EC-682, "Diagnosis Procedure"](#)
- VK56VD for USA and Canada: [EC-1149, "Diagnosis Procedure"](#)
- VK56VD for Mexico: [EC-1707, "Diagnosis Procedure"](#)

Is the inspection result normal?

YES (Present error)>>Replace the ECM. Refer to the following.

- VQ37VHR for USA and Canada: [EC-543, "Removal and Installation"](#)
- VQ37VHR for Mexico: [EC-980, "Removal and Installation"](#)
- VK56VD for USA and Canada: [EC-1553, "Removal and Installation"](#)
- VK56VD for Mexico: [EC-2013, "Removal and Installation"](#)

YES (Past error)>>Error was detected in the ECM branch line.

NO >> Repair the power supply and the ground circuit.

4. CHECK HARNESS CONTINUITY (OPEN CIRCUIT)

1. Disconnect the harness connector M30.
2. Check the continuity between the ECM harness connector and the harness connector.
 - VQ37VHR

ECM harness connector		Harness connector		Continuity
Connector No.	Terminal No.	Connector No.	Terminal No.	

ECM BRANCH LINE CIRCUIT

< DTC/CIRCUIT DIAGNOSIS >

[CAN SYSTEM (TYPE 7)]

M107	114	M30	439	Existed
	113		438	Existed

- VK56VD

ECM harness connector		Harness connector		Continuity
Connector No.	Terminal No.	Connector No.	Terminal No.	
M160	146	M30	439	Existed
	151		438	Existed

Is the inspection result normal?

YES >> Replace the PCB harness.

NO (VQ37VHR)>>Repair the harness between the ECM harness connector M107 and the harness connector M30.

NO (VK56VD)>>Repair the harness between the ECM harness connector M160 and the harness connector M30.

TPMS BRANCH LINE CIRCUIT

< DTC/CIRCUIT DIAGNOSIS >

[CAN SYSTEM (TYPE 7)]

TPMS BRANCH LINE CIRCUIT

Diagnosis Procedure

INFOID:000000007217836

1. CHECK CONNECTOR

1. Turn the ignition switch OFF.
2. Disconnect the battery cable from the negative terminal.
3. Check the following terminals and connectors for damage, bend and loose connection (unit side and connector side).
 - Low tire pressure warning control unit
 - Harness connector M29 and PCB harness side connector

Is the inspection result normal?

YES >> GO TO 2.

NO >> Repair the terminal and connector.

2. CHECK HARNESS FOR OPEN CIRCUIT

1. Disconnect the connector of low tire pressure warning control unit.
2. Check the resistance between the low tire pressure warning control unit harness connector terminals.

Low tire pressure warning control unit harness connector			Resistance (Ω)
Connector No.	Terminal No.		
M43	2	1	Approx. 54 – 66

Is the measurement value within the specification?

YES >> GO TO 3.

NO >> GO TO 4.

3. CHECK POWER SUPPLY AND GROUND CIRCUIT

Check the power supply and the ground circuit of the low tire pressure warning control unit. Refer to [WT-43. "Diagnosis Procedure"](#).

Is the inspection result normal?

YES (Present error)>>Replace the low tire pressure warning control unit. Refer to [WT-58. "Removal and Installation"](#).

YES (Past error)>>Error was detected in the low tire pressure warning control unit branch line.

NO >> Repair the power supply and the ground circuit.

4. CHECK HARNESS CONTINUITY (OPEN CIRCUIT)

1. Disconnect the harness connector M29.
2. Check the continuity between the low tire pressure warning control unit harness connector and the harness connector.

Low tire pressure warning control unit harness connector		Harness connector		Continuity
Connector No.	Terminal No.	Connector No.	Terminal No.	
M43	2	M29	396	Existed
	1		395	Existed

Is the inspection result normal?

YES >> Replace the PCB harness.

NO >> Repair the harness between the low tire pressure warning control unit harness connector M43 and the harness connector M29.

A
B
C
D
E
F
G
H
I
J
K
L
N
O
P

LAN

CGW BRANCH LINE CIRCUIT (CAN COMMUNICATION CIRCUIT 1)

< DTC/CIRCUIT DIAGNOSIS >

[CAN SYSTEM (TYPE 7)]

CGW BRANCH LINE CIRCUIT (CAN COMMUNICATION CIRCUIT 1)

Diagnosis Procedure

INFOID:000000007205636

1. CHECK DTC

Check DTC of the CAN gateway with CONSULT.

Is U1010 or B2600 indicated?

- YES >> Perform a diagnosis of the indicated DTC.
- NO >> GO TO 2.

2. CHECK CONNECTOR

1. Turn the ignition switch OFF.
2. Disconnect the battery cable from the negative terminal.
3. Check the following terminals and connectors for damage, bend and loose connection (unit side and connector side).
 - CAN gateway
 - Harness connector M28 and PCB harness side connector

Is the inspection result normal?

- YES >> GO TO 3.
- NO >> Repair the terminal and connector.

3. CHECK HARNESS FOR OPEN CIRCUIT

1. Disconnect the connector of CAN gateway.
2. Check the resistance between the CAN gateway harness connector terminals.

CAN gateway harness connector			Resistance (Ω)
Connector No.	Terminal No.		
M125	1	7	Approx. 54 – 66

Is the measurement value within the specification?

- YES >> GO TO 4.
- NO >> GO TO 5.

4. CHECK POWER SUPPLY AND GROUND CIRCUIT

Check the power supply and the ground circuit of the CAN gateway. Refer to [LAN-122, "Diagnosis Procedure"](#).

Is the inspection result normal?

- YES (Present error)>>Replace the CAN gateway. Refer to [LAN-123, "Removal and Installation"](#).
- YES (Past error)>>Error was detected in the CAN gateway branch line (CAN communication circuit 1 side). Refer to [LAN-47, "System Diagram"](#).
- NO >> Repair the power supply and the ground circuit.

5. CHECK HARNESS CONTINUITY (OPEN CIRCUIT)

1. Disconnect the harness connector M28.
2. Check the continuity between the CAN gateway harness connector and the harness connector.

CAN gateway harness connector		Harness connector		Continuity
Connector No.	Terminal No.	Connector No.	Terminal No.	
M125	1	M28	326	Existed
	7		328	Existed

Is the inspection result normal?

- YES >> Replace the PCB harness.
- NO >> Repair the harness between the CAN gateway harness connector M125 and the harness connector M28.

CGW BRANCH LINE CIRCUIT (CAN COMMUNICATION CIRCUIT 2)

< DTC/CIRCUIT DIAGNOSIS >

[CAN SYSTEM (TYPE 7)]

CGW BRANCH LINE CIRCUIT (CAN COMMUNICATION CIRCUIT 2)

Diagnosis Procedure

INFOID:000000007205637

1. CHECK DTC

Check DTC of the CAN gateway with CONSULT.

Is U1010 or B2600 indicated?

- YES >> Perform a diagnosis of the indicated DTC.
- NO >> GO TO 2.

2. CHECK CONNECTOR

1. Turn the ignition switch OFF.
2. Disconnect the battery cable from the negative terminal.
3. Check the following terminals and connectors for damage, bend and loose connection (unit side and connector side).
 - CAN gateway
 - Harness connector M23 and PCB harness side connector

Is the inspection result normal?

- YES >> GO TO 3.
- NO >> Repair the terminal and connector.

3. CHECK HARNESS CONTINUITY (OPEN CIRCUIT)

1. Disconnect the connector of CAN gateway.
2. Check the continuity between the CAN gateway harness connector terminals.

CAN gateway harness connector			Continuity
Connector No.	Terminal No.		
M125	4	6	Existed
	10	12	Existed

Is the inspection result normal?

- YES >> GO TO 4.
- NO >> GO TO 5.

4. CHECK POWER SUPPLY AND GROUND CIRCUIT

Check the power supply and the ground circuit of the CAN gateway. Refer to [LAN-122, "Diagnosis Procedure"](#).

Is the inspection result normal?

- YES (Present error)>>Replace the CAN gateway. Refer to [LAN-123, "Removal and Installation"](#).
- YES (Past error)>>Error was detected in the CAN gateway branch line (CAN communication circuit 2 side). Refer to [LAN-47, "System Diagram"](#).
- NO >> Repair the power supply and the ground circuit.

5. CHECK HARNESS CONTINUITY (OPEN CIRCUIT)

1. Disconnect the harness connector M23.
2. Check the continuity between the CAN gateway harness connector and the harness connector.

CAN gateway harness connector		Harness connector		Continuity
Connector No.	Terminal No.	Connector No.	Terminal No.	
M125	4	M23	133	Existed
	10		135	Existed

Is the inspection result normal?

- YES >> Replace the PCB harness.
- NO >> Repair the harness between the CAN gateway harness connector M125 and the harness connector M23.

HVAC BRANCH LINE CIRCUIT

< DTC/CIRCUIT DIAGNOSIS >

[CAN SYSTEM (TYPE 7)]

HVAC BRANCH LINE CIRCUIT

Diagnosis Procedure

INFOID:000000006888930

1. CHECK CONNECTOR

1. Turn the ignition switch OFF.
2. Disconnect the battery cable from the negative terminal.
3. Check the following terminals and connectors for damage, bend and loose connection (unit side and connector side).
 - A/C auto amp.
 - Harness connector M28 and PCB harness side connector

Is the inspection result normal?

YES >> GO TO 2.

NO >> Repair the terminal and connector.

2. CHECK HARNESS FOR OPEN CIRCUIT

1. Disconnect the connector of A/C auto amp.
2. Check the resistance between the A/C auto amp. harness connector terminals.

A/C auto amp. harness connector			Resistance (Ω)
Connector No.	Terminal No.		
M66	12	11	Approx. 54 – 66

Is the measurement value within the specification?

YES >> GO TO 3.

NO >> GO TO 4.

3. CHECK POWER SUPPLY AND GROUND CIRCUIT

Check the power supply and the ground circuit of the A/C auto amp. Refer to [HAC-156, "A/C AUTO AMP. : Diagnosis Procedure"](#).

Is the inspection result normal?

YES (Present error)>>Replace the A/C auto amp. Refer to [HAC-190, "Removal and Installation"](#).

YES (Past error)>>Error was detected in the A/C auto amp. branch line.

NO >> Repair the power supply and the ground circuit.

4. CHECK HARNESS CONTINUITY (OPEN CIRCUIT)

1. Disconnect the harness connector M28.
2. Check the continuity between the A/C auto amp. harness connector and the harness connector.

A/C auto amp. harness connector		Harness connector		Continuity
Connector No.	Terminal No.	Connector No.	Terminal No.	
M66	12	M28	325	Existed
	11		327	Existed

Is the inspection result normal?

YES >> Replace the PCB harness.

NO >> Repair the harness between the A/C auto amp. harness connector M66 and the harness connector M28.

TCM BRANCH LINE CIRCUIT

< DTC/CIRCUIT DIAGNOSIS >

[CAN SYSTEM (TYPE 7)]

TCM BRANCH LINE CIRCUIT

Diagnosis Procedure

INFOID:000000007205657

1. CHECK CONNECTOR

1. Turn the ignition switch OFF.
2. Disconnect the battery cable from the negative terminal.
3. Check the following terminals and connectors for damage, bend and loose connection (unit side and connector side).
 - A/T assembly
 - Harness connector F103
 - Harness connector M116
 - Harness connector M28 and PCB harness side connector

Is the inspection result normal?

YES >> GO TO 2.

NO >> Repair the terminal and connector.

2. CHECK HARNESS FOR OPEN CIRCUIT

1. Disconnect the connector of A/T assembly.
2. Check the resistance between the A/T assembly harness connector terminals.

A/T assembly harness connector		Resistance (Ω)
Connector No.	Terminal No.	
F61	3 8	Approx. 54 – 66

Is the measurement value within the specification?

YES >> GO TO 3.

NO >> GO TO 5.

3. CHECK HARNESS FOR OPEN CIRCUIT

1. Remove the joint connector. Refer to [TM-181, "Exploded View"](#).
2. Check the continuity between the A/T assembly harness connector side and the TCM harness connector side of the joint connector.

A/T assembly harness connector side	TCM harness connector side	Continuity
Terminal No.	Terminal No.	
3	3	Existed
8	8	Existed

Is the inspection result normal?

YES >> GO TO 4.

NO >> Replace the joint connector.

4. CHECK POWER SUPPLY AND GROUND CIRCUIT

Check the power supply and the ground circuit of the TCM. Refer to [TM-150, "Diagnosis Procedure"](#).

Is the inspection result normal?

YES (Present error)>>Replace the control valve & TCM. Refer to [TM-181, "Exploded View"](#).

YES (Past error)>>Error was detected in the TCM branch line.

NO >> Repair the power supply and the ground circuit.

5. CHECK HARNESS CONTINUITY (OPEN CIRCUIT)

1. Disconnect the harness connector M28.
2. Check the continuity between the A/T assembly harness connector and the harness connector.

A
B
C
D
E
F
G
H
I
J
K
L
N
O
P

LAN

TCM BRANCH LINE CIRCUIT

< DTC/CIRCUIT DIAGNOSIS >

[CAN SYSTEM (TYPE 7)]

A/T assembly harness connector		Harness connector		Continuity
Connector No.	Terminal No.	Connector No.	Terminal No.	
F61	3	M28	346	Existed
	8		347	Existed

Is the inspection result normal?

YES >> Replace the PCB harness.

NO >> Repair the harness between the A/T assembly harness connector F61 and the harness connector M28.

A-BAG BRANCH LINE CIRCUIT

< DTC/CIRCUIT DIAGNOSIS >

[CAN SYSTEM (TYPE 7)]

A-BAG BRANCH LINE CIRCUIT

Diagnosis Procedure

INFOID:000000006888932

WARNING:

- Before servicing, turn ignition switch OFF, disconnect battery negative terminal, and wait 3 minutes or more. (To discharge backup capacitor.)
- Never use unspecified tester or other measuring device.

1. CHECK CONNECTOR

1. Turn the ignition switch OFF.
2. Disconnect the battery cable from the negative terminal.
3. Check the following terminals and connectors for damage, bend and loose connection (unit side and connector side).
 - Air bag diagnosis sensor unit
 - Harness connector M26 and PCB harness side connector

Is the inspection result normal?

- YES >> GO TO 2.
NO >> Replace the main harness and/or the PCB harness.

2. CHECK AIR BAG DIAGNOSIS SENSOR UNIT

Check the air bag diagnosis sensor unit. Refer to [SRC-24. "Work Flow"](#).

Is the inspection result normal?

- YES >> Replace the main harness and/or the PCB harness.
NO >> Replace parts whose air bag system has a malfunction.

A
B
C
D
E
F
G
H
I
J
K
L
N
O
P

LAN

AV BRANCH LINE CIRCUIT

< DTC/CIRCUIT DIAGNOSIS >

[CAN SYSTEM (TYPE 7)]

AV BRANCH LINE CIRCUIT

Diagnosis Procedure

INFOID:000000006888933

1. CHECK CONNECTOR

1. Turn the ignition switch OFF.
2. Disconnect the battery cable from the negative terminal.
3. Check the following terminals and connectors for damage, bend and loose connection (unit side and connector side).
 - AV control unit
 - Harness connector M25 and PCB harness side connector

Is the inspection result normal?

YES >> GO TO 2.

NO >> Repair the terminal and connector.

2. CHECK HARNESS FOR OPEN CIRCUIT

1. Disconnect the connector of AV control unit.
2. Check the resistance between the AV control unit harness connector terminals.
 - Models with navigation system

AV control unit harness connector			Resistance (Ω)
Connector No.	Terminal No.		
M210	90	74	Approx. 54 – 66

- Models without navigation system

AV control unit harness connector			Resistance (Ω)
Connector No.	Terminal No.		
M84	81	80	Approx. 54 – 66

Is the measurement value within the specification?

YES >> GO TO 3.

NO >> GO TO 4.

3. CHECK POWER SUPPLY AND GROUND CIRCUIT

Check the power supply and the ground circuit of the AV control unit. Refer to the following.

- Base audio without navigation system: [AV-72. "AV CONTROL UNIT : Diagnosis Procedure"](#)
- BOSE audio with navigation system: [AV-236. "AV CONTROL UNIT : Diagnosis Procedure"](#)

Is the inspection result normal?

YES (Present error)>>Replace the AV control unit. Refer to the following.

- Base audio without navigation system: [AV-103. "Removal and Installation"](#)
- BOSE audio with navigation system: [AV-263. "Removal and Installation"](#)

YES (Past error)>>Error was detected in the AV control unit branch line.

NO >> Repair the power supply and the ground circuit.

4. CHECK HARNESS CONTINUITY (OPEN CIRCUIT)

1. Disconnect the harness connector M25.
2. Check the continuity between the AV control unit harness connector and the harness connector.
 - Models with navigation system

AV control unit harness connector		Harness connector		Continuity
Connector No.	Terminal No.	Connector No.	Terminal No.	
M210	90	M25	201	Existed
	74		221	Existed

- Models without navigation system

AV BRANCH LINE CIRCUIT

< DTC/CIRCUIT DIAGNOSIS >

[CAN SYSTEM (TYPE 7)]

AV control unit harness connector		Harness connector		Continuity
Connector No.	Terminal No.	Connector No.	Terminal No.	
M84	81	M25	201	Existed
	80		221	Existed

Is the inspection result normal?

YES >> Replace the PCB harness.

NO (With navigation system)>>Repair the harness between the AV control unit harness connector M210 and the harness connector M25.

NO (Without navigation system)>>Repair the harness between the AV control unit harness connector M84 and the harness connector M25.

A
B
C
D
E
F
G
H
I
J
K
L

LAN

N
O
P

M&A BRANCH LINE CIRCUIT

< DTC/CIRCUIT DIAGNOSIS >

[CAN SYSTEM (TYPE 7)]

M&A BRANCH LINE CIRCUIT

Diagnosis Procedure

INFOID:000000006888934

1. CHECK CONNECTOR

1. Turn the ignition switch OFF.
2. Disconnect the battery cable from the negative terminal.
3. Check the following terminals and connectors for damage, bend and loose connection (unit side and connector side).
 - Combination meter
 - Harness connector M24 and PCB harness side connector

Is the inspection result normal?

YES >> GO TO 2.

NO >> Repair the terminal and connector.

2. CHECK HARNESS FOR OPEN CIRCUIT

1. Disconnect the connector of combination meter.
2. Check the resistance between the combination meter harness connector terminals.

Combination meter harness connector			Resistance (Ω)
Connector No.	Terminal No.		
M53	14	15	Approx. 54 – 66

Is the measurement value within the specification?

YES >> GO TO 3.

NO >> GO TO 4.

3. CHECK POWER SUPPLY AND GROUND CIRCUIT

Check the power supply and the ground circuit of the combination meter Refer to [MWI-59. "COMBINATION METER : Diagnosis Procedure"](#).

Is the inspection result normal?

YES (Present error)>>Replace the combination meter. Refer to [MWI-79. "Removal and Installation"](#).

YES (Past error)>>Error was detected in the combination meter branch line.

NO >> Repair the power supply and the ground circuit.

4. CHECK HARNESS CONTINUITY (OPEN CIRCUIT)

1. Disconnect the harness connector M24.
2. Check the continuity between the combination meter harness connector and the harness connector.

Combination meter harness connector		Harness connector		Continuity
Connector No.	Terminal No.	Connector No.	Terminal No.	
M53	14	M24	176	Existed
	15		177	Existed

Is the inspection result normal?

YES >> Replace the PCB harness.

NO >> Repair the harness between the combination meter harness connector M53 and the harness connector M24.

DLC BRANCH LINE CIRCUIT (CAN COMMUNICATION CIRCUIT 1)

< DTC/CIRCUIT DIAGNOSIS >

[CAN SYSTEM (TYPE 7)]

DLC BRANCH LINE CIRCUIT (CAN COMMUNICATION CIRCUIT 1)

Diagnosis Procedure

INFOID:000000007205658

1. CHECK CONNECTOR

1. Turn the ignition switch OFF.
2. Disconnect the battery cable from the negative terminal.
3. Check the following terminals and connectors for damage, bend and loose connection (unit side and connector side).
 - Data link connector
 - Harness connector M181
 - Harness connector M105
 - Harness connector M23 and PCB harness side connector

Is the inspection result normal?

YES >> GO TO 2.

NO >> Repair the terminal and connector.

2. CHECK HARNESS FOR OPEN CIRCUIT

Check the resistance between the data link connector terminals.

Data link connector			Resistance (Ω)
Connector No.	Terminal No.		
M182	6	14	Approx. 54 – 66

Is the measurement value within the specification?

YES (Present error)>>Check CAN system type decision again.

YES (Past error)>>Error was detected in the data link connector branch line circuit (CAN communication circuit 1 side). Refer to [LAN-47. "System Diagram"](#).

NO >> GO TO 3.

3. CHECK HARNESS CONTINUITY (OPEN CIRCUIT)

1. Disconnect the harness connector M23.
2. Check the continuity between the data link connector and the harness connector.

Data link connector		Harness connector		Continuity
Connector No.	Terminal No.	Connector No.	Terminal No.	
M182	6	M23	151	Existed
	14		150	Existed

Is the inspection result normal?

YES >> Replace the PCB harness.

NO >> Repair the harness between the data link connector M182 and the harness connector M23.

A
B
C
D
E
F
G
H
I
J
K
L

LAN

N
O
P

DLC BRANCH LINE CIRCUIT (CAN COMMUNICATION CIRCUIT 2)

< DTC/CIRCUIT DIAGNOSIS >

[CAN SYSTEM (TYPE 7)]

DLC BRANCH LINE CIRCUIT (CAN COMMUNICATION CIRCUIT 2)

Diagnosis Procedure

INFOID:000000007205659

1. CHECK CONNECTOR

1. Turn the ignition switch OFF.
2. Disconnect the battery cable from the negative terminal.
3. Check the following terminals and connectors for damage, bend and loose connection (unit side and connector side).
 - Data link connector
 - Harness connector M181
 - Harness connector M105
 - Harness connector M23 and PCB harness side connector

Is the inspection result normal?

YES >> GO TO 2.

NO >> Repair the terminal and connector.

2. CHECK HARNESS FOR OPEN CIRCUIT

Check the resistance between the data link connector terminals.

Data link connector		Resistance (Ω)
Connector No.	Terminal No.	
M182	13	Approx. 54 – 66
	12	

Is the measurement value within the specification?

YES (Present error)>>Check CAN system type decision again.

YES (Past error)>>Error was detected in the data link connector branch line circuit (CAN communication circuit 2 side). Refer to [LAN-47, "System Diagram"](#).

NO >> GO TO 3.

3. CHECK HARNESS CONTINUITY (OPEN CIRCUIT)

1. Disconnect the harness connector M23.
2. Check the continuity between the data link connector and the harness connector.

Data link connector		Harness connector		Continuity
Connector No.	Terminal No.	Connector No.	Terminal No.	
M182	13	M23	140	Existed
	12		139	Existed

Is the inspection result normal?

YES >> Replace the PCB harness.

NO >> Repair the harness between the data link connector M182 and the harness connector M23.

BCM BRANCH LINE CIRCUIT

< DTC/CIRCUIT DIAGNOSIS >

[CAN SYSTEM (TYPE 7)]

BCM BRANCH LINE CIRCUIT

Diagnosis Procedure

INFOID:000000006888936

1. CHECK CONNECTOR

1. Turn the ignition switch OFF.
2. Disconnect the battery cable from the negative terminal.
3. Check the following terminals and connectors for damage, bend and loose connection (unit side and connector side).
 - BCM
 - Harness connector M22 and PCB harness side connector

Is the inspection result normal?

YES >> GO TO 2.

NO >> Repair the terminal and connector.

2. CHECK HARNESS FOR OPEN CIRCUIT

1. Disconnect the connector of BCM.
2. Check the resistance between the BCM harness connector terminals.

BCM harness connector			Resistance (Ω)
Connector No.	Terminal No.		
M120	39	40	Approx. 54 – 66

Is the measurement value within the specification?

YES >> GO TO 3.

NO >> GO TO 4.

3. CHECK POWER SUPPLY AND GROUND CIRCUIT

Check the power supply and the ground circuit of the BCM. Refer to [BCS-75. "Diagnosis Procedure"](#).

Is the inspection result normal?

YES (Present error)>>Replace the BCM. Refer to [BCS-82. "Removal and Installation"](#).

YES (Past error)>>Error was detected in the BCM branch line.

NO >> Repair the power supply and the ground circuit.

4. CHECK HARNESS CONTINUITY (OPEN CIRCUIT)

1. Disconnect the harness connector M22.
2. Check the continuity between the BCM harness connector and the harness connector.

BCM harness connector		Harness connector		Continuity
Connector No.	Terminal No.	Connector No.	Terminal No.	
M120	39	M22	101	Existed
	40		102	Existed

Is the inspection result normal?

YES >> Replace the PCB harness.

NO >> Repair the harness between the BCM harness connector M120 and the harness connector M22.

A
B
C
D
E
F
G
H
I
J
K
L
N
O
P

LAN

STRG BRANCH LINE CIRCUIT

< DTC/CIRCUIT DIAGNOSIS >

[CAN SYSTEM (TYPE 7)]

STRG BRANCH LINE CIRCUIT

Diagnosis Procedure

INFOID:000000006888937

1. CHECK CONNECTOR

1. Turn the ignition switch OFF.
2. Disconnect the battery cable from the negative terminal.
3. Check the following terminals and connectors for damage, bend and loose connection (unit side and connector side).
 - Steering angle sensor
 - Harness connector M22 and PCB harness side connector

Is the inspection result normal?

YES >> GO TO 2.

NO >> Repair the terminal and connector.

2. CHECK HARNESS FOR OPEN CIRCUIT

1. Disconnect the connector of steering angle sensor.
2. Check the resistance between the steering angle sensor harness connector terminals.

Steering angle sensor harness connector			Resistance (Ω)
Connector No.	Terminal No.		
M37	1	2	Approx. 54 – 66

Is the measurement value within the specification?

YES >> GO TO 3.

NO >> GO TO 4.

3. CHECK POWER SUPPLY AND GROUND CIRCUIT

Check the power supply and the ground circuit of the steering angle sensor. Refer to [BRC-53. "Wiring Diagram"](#).

Is the inspection result normal?

YES (Present error)>>Replace the steering angle sensor. Refer to [BRC-144. "Removal and Installation"](#).

YES (Past error)>>Error was detected in the steering angle sensor branch line.

NO >> Repair the power supply and the ground circuit.

4. CHECK HARNESS CONTINUITY (OPEN CIRCUIT)

1. Disconnect the harness connector M22.
2. Check the continuity between the steering angle sensor harness connector and the harness connector.

Steering angle sensor harness connector		Harness connector		Continuity
Connector No.	Terminal No.	Connector No.	Terminal No.	
M37	1	M22	81	Existed
	2		82	Existed

Is the inspection result normal?

YES >> Replace the PCB harness.

NO >> Repair the harness between the steering angle sensor harness connector M37 and the harness connector M22.

ABS BRANCH LINE CIRCUIT

< DTC/CIRCUIT DIAGNOSIS >

[CAN SYSTEM (TYPE 7)]

ABS BRANCH LINE CIRCUIT

Diagnosis Procedure

INFOID:000000006888938

1. CHECK CONNECTOR

1. Turn the ignition switch OFF.
2. Disconnect the battery cable from the negative terminal.
3. Check the terminals and connectors of the ABS actuator and electric unit (control unit) for damage, bend and loose connection (unit side and connector side).

Is the inspection result normal?

- YES >> GO TO 2.
NO >> Repair the terminal and connector.

2. CHECK HARNESS FOR OPEN CIRCUIT

1. Disconnect the connector of ABS actuator and electric unit (control unit).
2. Check the resistance between the ABS actuator and electric unit (control unit) harness connector terminals.

ABS actuator and electric unit (control unit) harness connector			Resistance (Ω)
Connector No.	Terminal No.		
E41	25	15	Approx. 54 – 66

Is the measurement value within the specification?

- YES >> GO TO 3.
NO >> Repair the ABS actuator and electric unit (control unit) branch line.

3. CHECK POWER SUPPLY AND GROUND CIRCUIT

Check the power supply and the ground circuit of the ABS actuator and electric unit (control unit). Refer to [BRC-119, "Diagnosis Procedure"](#).

Is the inspection result normal?

- YES (Present error)>>Replace the ABS actuator and electric unit (control unit). Refer to [BRC-141, "Removal and Installation"](#).
YES (Past error)>>Error was detected in the ABS actuator and electric unit (control unit) branch line.
NO >> Repair the power supply and the ground circuit.

A
B
C
D
E
F
G
H
I
J
K
L

LAN

AFS BRANCH LINE CIRCUIT

< DTC/CIRCUIT DIAGNOSIS >

[CAN SYSTEM (TYPE 7)]

AFS BRANCH LINE CIRCUIT

Diagnosis Procedure

INFOID:000000006888939

1. CHECK CONNECTOR

1. Turn the ignition switch OFF.
2. Disconnect the battery cable from the negative terminal.
3. Check the terminals and connectors of the AFS control unit for damage, bend and loose connection (unit side and connector side).

Is the inspection result normal?

- YES >> GO TO 2.
NO >> Repair the terminal and connector.

2. CHECK HARNESS FOR OPEN CIRCUIT

1. Disconnect the connector of AFS control unit.
2. Check the resistance between the AFS control unit harness connector terminals.

AFS control unit harness connector			Resistance (Ω)
Connector No.	Terminal No.		
E104	30	7	Approx. 54 – 66

Is the measurement value within the specification?

- YES >> GO TO 3.
NO >> Repair the AFS control unit branch line.

3. CHECK POWER SUPPLY AND GROUND CIRCUIT

Check the power supply and the ground circuit of the AFS control unit. Refer to [EXL-72, "AFS CONTROL UNIT : Diagnosis Procedure"](#).

Is the inspection result normal?

- YES (Present error)>>Replace the AFS control unit. Refer to [EXL-114, "Removal and Installation"](#).
YES (Past error)>>Error was detected in the AFS control unit branch line.
NO >> Repair the power supply and the ground circuit.

IPDM-E BRANCH LINE CIRCUIT

< DTC/CIRCUIT DIAGNOSIS >

[CAN SYSTEM (TYPE 7)]

IPDM-E BRANCH LINE CIRCUIT

Diagnosis Procedure

INFOID:000000006888940

1. CHECK CONNECTOR

1. Turn the ignition switch OFF.
2. Disconnect the battery cable from the negative terminal.
3. Check the terminals and connectors of the IPDM E/R for damage, bend and loose connection (unit side and connector side).

Is the inspection result normal?

- YES >> GO TO 2.
NO >> Repair the terminal and connector.

2. CHECK HARNESS FOR OPEN CIRCUIT

1. Disconnect the connector of IPDM E/R.
2. Check the resistance between the IPDM E/R harness connector terminals.

IPDM E/R harness connector			Resistance (Ω)
Connector No.	Terminal No.		
E6	40	39	Approx. 108 – 132

Is the measurement value within the specification?

- YES >> GO TO 3.
NO >> Repair the IPDM E/R branch line.

3. CHECK POWER SUPPLY AND GROUND CIRCUIT

Check the power supply and the ground circuit of the IPDM E/R. Refer to [PCS-32, "Diagnosis Procedure"](#).

Is the inspection result normal?

- YES (Present error)>>Replace the IPDM E/R. Refer to [PCS-33, "Removal and Installation"](#).
YES (Past error)>>Error was detected in the IPDM E/R branch line.
NO >> Repair the power supply and the ground circuit.

A
B
C
D
E
F
G
H
I
J
K
L

LAN

N
O
P

ADP BRANCH LINE CIRCUIT

< DTC/CIRCUIT DIAGNOSIS >

[CAN SYSTEM (TYPE 7)]

ADP BRANCH LINE CIRCUIT

Diagnosis Procedure

INFOID:000000007205660

1. CHECK CONNECTOR

1. Turn the ignition switch OFF.
2. Disconnect the battery cable from the negative terminal.
3. Check the following terminals and connectors for damage, bend and loose connection (unit side and connector side).
 - Driver seat control unit
 - Harness connector B501
 - Harness connector B11
 - CAN gateway (With ICC system)

Is the inspection result normal?

YES (With ICC system)>>GO TO 2.

YES (Without ICC system)>>GO TO 3.

NO >> Repair the terminal and connector.

2. CHECK HARNESS CONTINUITY (OPEN CIRCUIT)

1. Disconnect the connector of CAN gateway.
2. Check the continuity between the CAN gateway harness connector terminals.

CAN gateway harness connector			Continuity
Connector No.	Terminal No.		
M125	4	6	Existed
	10	12	Existed

Is the inspection result normal?

YES >> GO TO 3.

NO >> Check the harness and repair or replace (if shield line is open) the root cause (CAN communication circuit 2 side). Refer to [LAN-47, "System Diagram"](#).

3. CHECK HARNESS FOR OPEN CIRCUIT

1. Connect the connector of CAN gateway. (With ICC system)
2. Disconnect the connector of driver seat control unit.
3. Check the resistance between the driver seat control unit harness connector terminals.

Driver seat control unit harness connector			Resistance (Ω)
Connector No.	Terminal No.		
B514	23	24	Approx. 54 – 66

Is the measurement value within the specification?

YES >> GO TO 4.

NO >> Repair the driver seat control unit branch line.

4. CHECK POWER SUPPLY AND GROUND CIRCUIT

Check the power supply and the ground circuit of the driver seat control unit. Refer to [ADP-61, "DRIVER SEAT CONTROL UNIT : Diagnosis Procedure"](#).

Is the inspection result normal?

YES (Present error)>>Replace the driver seat control unit. Refer to [ADP-134, "Removal and Installation"](#).

YES (Past error)>>Error was detected in the driver seat control unit branch line.

NO >> Repair the power supply and the ground circuit.

ICC BRANCH LINE CIRCUIT

Diagnosis Procedure

INFOID:000000007205661

1. CHECK CONNECTOR

1. Turn the ignition switch OFF.
2. Disconnect the battery cable from the negative terminal.
3. Check the following terminals and connectors for damage, bend and loose connection (unit side and connector side).
 - ADAS control unit
 - CAN gateway

Is the inspection result normal?

- YES >> GO TO 2.
 NO >> Repair the terminal and connector.

2. CHECK HARNESS CONTINUITY (OPEN CIRCUIT)

1. Disconnect the connector of CAN gateway.
2. Check the continuity between the CAN gateway harness connector terminals.

CAN gateway harness connector		Continuity
Connector No.	Terminal No.	
M125	4	6
	10	12
		Existed
		Existed

Is the inspection result normal?

- YES >> GO TO 3.
 NO >> Check the harness and repair or replace (if shield line is open) the root cause (CAN communication circuit 2 side). Refer to [LAN-47, "System Diagram"](#).

3. CHECK HARNESS FOR OPEN CIRCUIT

1. Connect the connector of CAN gateway.
2. Disconnect the connector of ADAS control unit.
3. Check the resistance between the ADAS control unit harness connector terminals.

ADAS control unit harness connector		Resistance (Ω)
Connector No.	Terminal No.	
B50	14	15
		Approx. 54 – 66

Is the measurement value within the specification?

- YES >> GO TO 4.
 NO >> Replace the body harness.

4. CHECK POWER SUPPLY AND GROUND CIRCUIT

Check the power supply and the ground circuit of the ADAS control unit. Refer to [DAS-54, "Diagnosis Procedure"](#).

Is the inspection result normal?

- YES (Present error)>>Replace the ADAS control unit. Refer to [DAS-55, "Removal and Installation"](#).
 YES (Past error)>>Error was detected in the ADAS control unit branch line.
 NO >> Repair the power supply and the ground circuit.

A
B
C
D
E
F
G
H
I
J
K
L
N
O
P

LAN

PSB BRANCH LINE CIRCUIT

Diagnosis Procedure

INFOID:000000007205662

1.CHECK CONNECTOR

1. Turn the ignition switch OFF.
2. Disconnect the battery cable from the negative terminal.
3. Check the following terminals and connectors for damage, bend and loose connection (unit side and connector side).
 - Pre-crash seat belt control unit (driver side)
 - CAN gateway

Is the inspection result normal?

- YES >> GO TO 2.
 NO >> Repair the terminal and connector.

2.CHECK HARNESS CONTINUITY (OPEN CIRCUIT)

1. Disconnect the connector of CAN gateway.
2. Check the continuity between the CAN gateway harness connector terminals.

CAN gateway harness connector		Continuity	
Connector No.	Terminal No.		
M125	4	6	Existed
	10	12	Existed

Is the inspection result normal?

- YES >> GO TO 3.
 NO >> Check the harness and repair or replace (if shield line is open) the root cause (CAN communication circuit 2 side). Refer to [LAN-47, "System Diagram"](#).

3.CHECK HARNESS FOR OPEN CIRCUIT

1. Connect the connector of CAN gateway.
2. Disconnect the connector of pre-crash seat belt control unit (driver side).
3. Check the resistance between the pre-crash seat belt control unit (driver side) harness connector terminals.

Pre-crash seat belt control unit (driver side) harness connector		Resistance (Ω)	
Connector No.	Terminal No.		
B9	14	4	Approx. 54 – 66

Is the measurement value within the specification?

- YES >> GO TO 4.
 NO >> Repair the pre-crash seat belt control unit (driver side) branch line.

4.CHECK POWER SUPPLY AND GROUND CIRCUIT

Check the power supply and the ground circuit of the pre-crash seat belt control unit (driver side). Refer to [SBC-46, "Diagnosis Procedure"](#).

Is the inspection result normal?

- YES (Present error)>>Replace the seat belt pre-tensioner retractor (driver side). Refer to [SB-7, "SEAT BELT RETRACTOR : Removal and Installation"](#).
 YES (Past error)>>Error was detected in the pre-crash seat belt control unit (driver side) branch line.
 NO >> Repair the power supply and the ground circuit.

RDR-L BRANCH LINE CIRCUIT

< DTC/CIRCUIT DIAGNOSIS >

[CAN SYSTEM (TYPE 7)]

RDR-L BRANCH LINE CIRCUIT

Diagnosis Procedure

INFOID:000000006888944

1. CHECK CONNECTOR

1. Turn the ignition switch OFF.
2. Disconnect the battery cable from the negative terminal.
3. Check the terminals and connectors of the side radar LH for damage, bend and loose connection (unit side and connector side).

Is the inspection result normal?

- YES >> GO TO 2.
NO >> Repair the terminal and connector.

2. CHECK HARNESS FOR OPEN CIRCUIT

1. Disconnect the connector of side radar LH.
2. Check the resistance between the side radar LH harness connector terminals.

Side radar LH harness connector			Resistance (Ω)
Connector No.	Terminal No.		
B52	4	3	Approx. 54 – 66

Is the measurement value within the specification?

- YES >> GO TO 3.
NO >> Repair the side radar LH branch line.

3. CHECK POWER SUPPLY AND GROUND CIRCUIT

Check the power supply and the ground circuit of the side radar LH. Refer to [DAS-511, "SIDE RADAR LH: Diagnosis Procedure"](#).

Is the inspection result normal?

- YES (Present error)>>Replace the side radar LH. Refer to [DAS-528, "Removal and Installation"](#).
YES (Past error)>>Error was detected in the side radar LH branch line.
NO >> Repair the power supply and the ground circuit.

A
B
C
D
E
F
G
H
I
J
K
L

LAN

N
O
P

RDR-R BRANCH LINE CIRCUIT

< DTC/CIRCUIT DIAGNOSIS >

[CAN SYSTEM (TYPE 7)]

RDR-R BRANCH LINE CIRCUIT

Diagnosis Procedure

INFOID:000000006888945

1. CHECK CONNECTOR

1. Turn the ignition switch OFF.
2. Disconnect the battery cable from the negative terminal.
3. Check the terminals and connectors of the side radar RH for damage, bend and loose connection (unit side and connector side).

Is the inspection result normal?

- YES >> GO TO 2.
NO >> Repair the terminal and connector.

2. CHECK RIGHT/LEFT SWITCHING SIGNAL CIRCUIT

Check the right/left switching signal circuit of the side radar RH. Refer to [DAS-514. "Diagnosis Procedure"](#).

Is the inspection result normal?

- YES >> GO TO 3.
NO >> Repair the root cause.

3. CHECK HARNESS FOR OPEN CIRCUIT

1. Disconnect the connector of side radar RH.
2. Check the resistance between the side radar RH harness connector terminals.

Side radar RH harness connector			Resistance (Ω)
Connector No.	Terminal No.		
B252	4	3	Approx. 54 – 66

Is the measurement value within the specification?

- YES >> GO TO 4.
NO >> Repair the side radar RH branch line.

4. CHECK POWER SUPPLY AND GROUND CIRCUIT

Check the power supply and the ground circuit of the side radar RH. Refer to [DAS-512. "SIDE RADAR RH : Diagnosis Procedure"](#).

Is the inspection result normal?

- YES (Present error)>>Replace the side radar RH. Refer to [DAS-528. "Removal and Installation"](#).
YES (Past error)>>Error was detected in the side radar RH branch line.
NO >> Repair the power supply and the ground circuit.

APA BRANCH LINE CIRCUIT

< DTC/CIRCUIT DIAGNOSIS >

[CAN SYSTEM (TYPE 7)]

APA BRANCH LINE CIRCUIT

Diagnosis Procedure

INFOID:000000006888946

1. CHECK CONNECTOR

1. Turn the ignition switch OFF.
2. Disconnect the battery cable from the negative terminal.
3. Check the following terminals and connectors for damage, bend and loose connection (unit side and connector side).
 - Accelerator pedal actuator
 - Harness connector M151
 - Harness connector M150
 - Harness connector M23 and PCB harness side connector

Is the inspection result normal?

YES >> GO TO 2.

NO >> Repair the terminal and connector.

2. CHECK HARNESS FOR OPEN CIRCUIT

1. Disconnect the connector of accelerator pedal actuator.
2. Check the resistance between the accelerator pedal actuator harness connector terminals.

Accelerator pedal actuator harness connector			Resistance (Ω)
Connector No.	Terminal No.		
M152	5	4	Approx. 54 – 66

Is the measurement value within the specification?

YES >> GO TO 3.

NO >> GO TO 4.

3. CHECK POWER SUPPLY AND GROUND CIRCUIT

Check the power supply and the ground circuit of the accelerator pedal actuator. Refer to [DAS-178, "ACCELERATOR PEDAL ACTUATOR : Diagnosis Procedure"](#).

Is the inspection result normal?

YES (Present error)>>Replace the accelerator pedal assembly. Refer to [ACC-4, "MODELS WITH DISTANCE CONTROL ASSIST SYSTEM : Removal and Installation"](#).

YES (Past error)>>Error was detected in the accelerator pedal actuator branch line.

NO >> Repair the power supply and the ground circuit.

4. CHECK HARNESS CONTINUITY (OPEN CIRCUIT)

1. Disconnect the harness connector M23.
2. Check the continuity between the accelerator pedal actuator harness connector and the harness connector.

Accelerator pedal actuator harness connector		Harness connector		Continuity
Connector No.	Terminal No.	Connector No.	Terminal No.	
M152	5	M23	138	Existed
	4		137	Existed

Is the inspection result normal?

YES >> Replace the PCB harness.

NO >> Repair the harness between the accelerator pedal actuator harness connector M152 and the harness connector M23.

LANE BRANCH LINE CIRCUIT

< DTC/CIRCUIT DIAGNOSIS >

[CAN SYSTEM (TYPE 7)]

LANE BRANCH LINE CIRCUIT

Diagnosis Procedure

INFOID:000000006888947

1. CHECK CONNECTOR

1. Turn the ignition switch OFF.
2. Disconnect the battery cable from the negative terminal.
3. Check the following terminals and connectors for damage, bend and loose connection (unit side and connector side).
 - Lane camera unit
 - Harness connector R7
 - Harness connector M110
 - Harness connector M24 and PCB harness side connector

Is the inspection result normal?

YES >> GO TO 2.

NO >> Repair the terminal and connector.

2. CHECK HARNESS FOR OPEN CIRCUIT

1. Disconnect the connector of lane camera unit.
2. Check the resistance between the lane camera unit harness connector terminals.

Lane camera unit harness connector			Resistance (Ω)
Connector No.	Terminal No.		
R8	4	8	Approx. 54 – 66

Is the measurement value within the specification?

YES >> GO TO 3.

NO >> GO TO 4.

3. CHECK POWER SUPPLY AND GROUND CIRCUIT

Check the power supply and the ground circuit of the lane camera unit. Refer to [DAS-355, "LANE CAMERA UNIT : Diagnosis Procedure"](#).

Is the inspection result normal?

YES (Present error)>>Replace the lane camera unit. Refer to [DAS-371, "Removal and Installation"](#).

YES (Past error)>>Error was detected in the lane camera unit branch line.

NO >> Repair the power supply and the ground circuit.

4. CHECK HARNESS CONTINUITY (OPEN CIRCUIT)

1. Disconnect the harness connector M24.
2. Check the continuity between the lane camera unit harness connector and the harness connector.

Lane camera unit harness connector		Harness connector		Continuity
Connector No.	Terminal No.	Connector No.	Terminal No.	
R8	4	M24	179	Existed
	8		178	Existed

Is the inspection result normal?

YES >> Replace the PCB harness.

NO >> Repair the harness between the lane camera unit harness connector R8 and the harness connector M24.

LASER BRANCH LINE CIRCUIT

< DTC/CIRCUIT DIAGNOSIS >

[CAN SYSTEM (TYPE 7)]

LASER BRANCH LINE CIRCUIT

Diagnosis Procedure

INFOID:000000006888948

1. CHECK CONNECTOR

1. Turn the ignition switch OFF.
2. Disconnect the battery cable from the negative terminal.
3. Check the following terminals and connectors for damage, bend and loose connection (unit side and connector side).
 - ICC sensor
 - Harness connector E106
 - Harness connector M6
 - Harness connector M28 and PCB harness side connector

Is the inspection result normal?

YES >> GO TO 2.

NO >> Repair the terminal and connector.

2. CHECK HARNESS FOR OPEN CIRCUIT

1. Disconnect the connector of ICC sensor.
2. Check the resistance between the ICC sensor harness connector terminals.

ICC sensor harness connector			Resistance (Ω)
Connector No.	Terminal No.		
E67	3	6	Approx. 108 – 132

Is the measurement value within the specification?

YES >> GO TO 3.

NO >> GO TO 4.

3. CHECK POWER SUPPLY AND GROUND CIRCUIT

Check the power supply and the ground circuit of the ICC sensor. Refer to [CCS-152, "ICC SENSOR : Diagnosis Procedure"](#).

Is the inspection result normal?

YES (Present error)>>Replace the ICC sensor. Refer to [CCS-170, "Removal and Installation"](#).

YES (Past error)>>Error was detected in the ICC sensor branch line.

NO >> Repair the power supply and the ground circuit.

4. CHECK HARNESS CONTINUITY (OPEN CIRCUIT)

1. Disconnect the harness connector M28.
2. Check the continuity between the ICC sensor harness connector and the harness connector.

ICC sensor harness connector		Harness connector		Continuity
Connector No.	Terminal No.	Connector No.	Terminal No.	
E67	3	M28	343	Existed
	6		345	Existed

Is the inspection result normal?

YES >> Replace the PCB harness.

NO >> Repair the harness between the ICC sensor harness connector E67 and the harness connector M28.

A
B
C
D
E
F
G
H
I
J
K
L
N
O
P

LAN

CAN COMMUNICATION CIRCUIT 1

< DTC/CIRCUIT DIAGNOSIS >

[CAN SYSTEM (TYPE 7)]

CAN COMMUNICATION CIRCUIT 1

Diagnosis Procedure

INFOID:00000006888949

1. CONNECTOR INSPECTION

1. Turn the ignition switch OFF.
2. Disconnect the battery cable from the negative terminal.
3. Disconnect all the unit connectors on CAN communication circuit 1.

NOTE:

For identification of CAN communication circuit 1, CAN communication circuit 2, and ITS communication circuit, refer to [LAN-47. "System Diagram"](#).

4. Check terminals and connectors for damage, bend and loose connection.

Is the inspection result normal?

YES >> GO TO 2.

NO >> Repair the terminal and connector.

2. CHECK HARNESS CONTINUITY (SHORT CIRCUIT)

Check the continuity between the data link connector terminals.

Data link connector		Continuity
Connector No.	Terminal No.	
M182	6 14	Not existed

Is the inspection result normal?

YES >> GO TO 3.

NO >> Check the harness and repair or replace (if shield line or PCB harness is short) the root cause.

3. CHECK HARNESS CONTINUITY (SHORT CIRCUIT)

Check the continuity between the data link connector and the ground.

Data link connector		Ground	Continuity
Connector No.	Terminal No.		
M182	6		Not existed
	14		Not existed

Is the inspection result normal?

YES >> GO TO 4.

NO >> Check the harness and repair or replace (if shield line or PCB harness is short) the root cause.

4. CHECK ECM AND IPDM E/R TERMINATION CIRCUIT

1. Remove the ECM and the IPDM E/R.
2. Check the resistance between the ECM terminals.
 - VQ37VHR

ECM		Resistance (Ω)
Terminal No.		
114	113	Approx. 108 – 132

- VK56VD

ECM		Resistance (Ω)
Terminal No.		
146	151	Approx. 108 – 132

3. Check the resistance between the IPDM E/R terminals.

CAN COMMUNICATION CIRCUIT 1

< DTC/CIRCUIT DIAGNOSIS >

[CAN SYSTEM (TYPE 7)]

IPDM E/R		Resistance (Ω)
Terminal No.		
40	39	Approx. 108 – 132

Is the measurement value within the specification?

YES >> GO TO 5.

NO >> Replace the ECM and/or the IPDM E/R.

5.CHECK SYMPTOM

Connect all the connectors. Check if the symptoms described in the “Symptom (Results from interview with customer)” are reproduced.

Inspection result

Reproduced>>GO TO 6.

Non-reproduced>>Start the diagnosis again. Follow the trouble diagnosis procedure when past error is detected.

6.CHECK UNIT REPRODUCTION

Perform the reproduction test as per the following procedure for each unit.

1. Turn the ignition switch OFF.
2. Disconnect the battery cable from the negative terminal.
3. Disconnect one of the unit connectors of CAN communication circuit 1.

NOTE:

ECM and IPDM E/R have a termination circuit. Check other units first.

4. Connect the battery cable to the negative terminal. Check if the symptoms described in the “Symptom (Results from interview with customer)” are reproduced.

NOTE:

Although unit-related error symptoms occur, do not confuse them with other symptoms.

Inspection result

Reproduced>>Connect the connector. Check other units as per the above procedure.

Non-reproduced>>Replace the unit whose connector was disconnected.

A
B
C
D
E
F
G
H
I
J
K
L

LAN

N
O
P

CAN COMMUNICATION CIRCUIT 2

< DTC/CIRCUIT DIAGNOSIS >

[CAN SYSTEM (TYPE 7)]

CAN COMMUNICATION CIRCUIT 2

Diagnosis Procedure

INFOID:000000006888950

1.CONNECTOR INSPECTION

1. Turn the ignition switch OFF.
2. Disconnect the battery cable from the negative terminal.
3. Disconnect all the unit connectors on CAN communication circuit 2.

NOTE:

For identification of CAN communication circuit 1, CAN communication circuit 2, and ITS communication circuit, refer to [LAN-47. "System Diagram"](#).

4. Check terminals and connectors for damage, bend and loose connection.

Is the inspection result normal?

YES >> GO TO 2.

NO >> Repair the terminal and connector.

2.CHECK HARNESS CONTINUITY (SHORT CIRCUIT)

Check the continuity between the data link connector terminals.

Data link connector		Continuity
Connector No.	Terminal No.	
M182	13	Not existed
	12	

Is the inspection result normal?

YES >> GO TO 3.

NO >> Check the harness and repair or replace (if shield line or PCB harness is short) the root cause.

3.CHECK HARNESS CONTINUITY (SHORT CIRCUIT)

Check the continuity between the data link connector and the ground.

Data link connector		Ground	Continuity
Connector No.	Terminal No.		
M182	13		Not existed
	12		Not existed

Is the inspection result normal?

YES >> GO TO 4.

NO >> Check the harness and repair or replace (if shield line or PCB harness is short) the root cause.

4.CHECK CAN GATEWAY TERMINATION CIRCUIT

1. Remove the CAN gateway.
2. Check the resistance between the CAN gateway terminals.

CAN gateway		Resistance (Ω)
Terminal No.		
4	10	Approx. 108 – 132
6	12	Approx. 108 – 132

Is the measurement value within the specification?

YES >> GO TO 5.

NO >> Replace the CAN gateway.

5.CHECK SYMPTOM

Connect all the connectors. Check if the symptoms described in the "Symptom (Results from interview with customer)" are reproduced.

Inspection result

Reproduced>>GO TO 6.

CAN COMMUNICATION CIRCUIT 2

< DTC/CIRCUIT DIAGNOSIS >

[CAN SYSTEM (TYPE 7)]

Non-reproduced>>Start the diagnosis again. Follow the trouble diagnosis procedure when past error is detected.

6.CHECK UNIT REPRODUCTION

Perform the reproduction test as per the following procedure for each unit.

1. Turn the ignition switch OFF.
2. Disconnect the battery cable from the negative terminal.
3. Disconnect one of the unit connectors of CAN communication circuit 2.

NOTE:

CAN gateway has two termination circuits. Check other units first.

4. Connect the battery cable to the negative terminal. Check if the symptoms described in the “Symptom (Results from interview with customer)” are reproduced.

NOTE:

Although unit-related error symptoms occur, do not confuse them with other symptoms.

Inspection result

Reproduced>>Connect the connector. Check other units as per the above procedure.

Non-reproduced>>Replace the unit whose connector was disconnected.

A
B
C
D
E
F
G
H
I
J
K
L

LAN

N
O
P

ITS COMMUNICATION CIRCUIT

< DTC/CIRCUIT DIAGNOSIS >

[CAN SYSTEM (TYPE 7)]

ITS COMMUNICATION CIRCUIT

Diagnosis Procedure

INFOID:000000007205663

1. CHECK CAN DIAGNOSIS

Check the CAN diagnosis results from CONSULT to see that the CAN communication circuit 1 and CAN communication circuit 2 have no malfunction.

NOTE:

For identification of CAN communication circuit 1, CAN communication circuit 2, and ITS communication circuit, refer to [LAN-47. "System Diagram"](#).

Are the CAN communication 1 and CAN communication 2 circuits normal?

YES >> GO TO 2.

NO >> Check and repair CAN communication circuit 1 and/or CAN communication circuit 2.

2. CONNECTOR INSPECTION

1. Turn the ignition switch OFF.
2. Disconnect the battery cable from the negative terminal.
3. Check the terminals and connectors of the ADAS control unit for damage, bend and loose connection (unit side and connector side).

Is the inspection result normal?

YES >> GO TO 3.

NO >> Repair the terminal and connector.

3. CHECK HARNESS CONTINUITY (OPEN CIRCUIT)

1. Disconnect the following harness connectors.
 - ADAS control unit
 - ICC sensor
2. Check the continuity between the ADAS control unit harness connector and the ICC sensor harness connector.

ADAS control unit harness connector		ICC sensor harness connector		Continuity
Connector No.	Terminal No.	Connector No.	Terminal No.	
B50	7	E67	3	Existed
	8		6	Existed

Is the inspection result normal?

YES >> GO TO 4.

NO >> Replace the body harness.

4. CHECK HARNESS CONTINUITY (SHORT CIRCUIT)

1. Disconnect the following harness connectors.
 - Side radar LH
 - Side radar RH
 - Accelerator pedal actuator
 - Lane camera unit
2. Check the continuity between the ADAS control unit harness connector terminals.

ADAS control unit harness connector			Continuity
Connector No.	Terminal No.		
B50	7	8	Not existed

Is the inspection result normal?

YES >> GO TO 5.

NO >> Check the harness and repair or replace (if shield line or PCB harness is short) the root cause.

5. CHECK HARNESS CONTINUITY (SHORT CIRCUIT)

Check the continuity between the ADAS control unit harness connector and the ground.

ITS COMMUNICATION CIRCUIT

< DTC/CIRCUIT DIAGNOSIS >

[CAN SYSTEM (TYPE 7)]

ADAS control unit harness connector		Ground	Continuity
Connector No.	Terminal No.		
B50	7		
	8		Not existed

A
B

Is the inspection result normal?

YES >> GO TO 6.

NO >> Check the harness and repair or replace (if shield line or PCB harness is short) the root cause.

C

6.CHECK TERMINATION CIRCUIT

1. Remove the ADAS control unit and the ICC sensor.
2. Check the resistance between the ADAS control unit terminals.

D

ADAS control unit		Resistance (Ω)
Terminal No.		
7	8	Approx. 108 – 132

E
F

3. Check the resistance between the ICC sensor terminals.

ICC sensor		Resistance (Ω)
Terminal No.		
3	6	Approx. 108 – 132

G
H

Is the inspection result normal?

YES >> GO TO 7.

NO >> Replace the ADAS control unit and/or the ICC sensor.

I

7.CHECK SYMPTOM

Connect all the connectors. Check if the symptoms described in the “Symptom (Results from interview with customer)” are reproduced.

J

Inspection result

Reproduced>>GO TO 8.

Non-reproduced>>Start the diagnosis again. Follow the trouble diagnosis procedure when past error is detected.

K

8.CHECK UNIT REPRODUCTION

Perform the reproduction test as per the following procedure for each unit.

L

1. Turn the ignition switch OFF.
2. Disconnect the battery cable from the negative terminal.
3. Disconnect one of the unit connectors of ITS communication system.

NOTE:

ADAS control unit and ICC sensor have a termination circuit. Check other units first.

4. Connect the battery cable to the negative terminal. Check if the symptoms described in the “Symptom (Results from interview with customer)” are reproduced.

N

NOTE:

Although unit-related error symptoms occur, do not confuse them with other symptoms.

O

Inspection result

Reproduced>>Connect the connector. Check other units as per the above procedure.

Non-reproduced>>Replace the unit whose connector was disconnected.

P

LAN

MAIN LINE BETWEEN TPMS AND HVAC CIRCUIT

< DTC/CIRCUIT DIAGNOSIS >

[CAN SYSTEM (TYPE 8)]

DTC/CIRCUIT DIAGNOSIS

MAIN LINE BETWEEN TPMS AND HVAC CIRCUIT

Diagnosis Procedure

INFOID:000000006888952

1. CHECK HARNESS CONTINUITY (OPEN CIRCUIT)

1. Turn the ignition switch OFF.
2. Disconnect the battery cable from the negative terminal.
3. Disconnect the following harness connectors.
 - ECM
 - Low tire pressure warning control unit
 - A/C auto amp.
4. Check the continuity between the low tire pressure warning control unit harness connector and the A/C auto amp. harness connector.

Low tire pressure warning control unit harness connector		A/C auto amp. harness connector		Continuity
Connector No.	Terminal No.	Connector No.	Terminal No.	
M43	2	M66	12	Existed
	1		11	Existed

Is the inspection result normal?

YES (Present error)>>Check CAN system type decision again.

YES (Past error)>>Error was detected in the main line between the low tire pressure warning control unit and the A/C auto amp.

NO >> Replace the PCB harness.

MAIN LINE BETWEEN HVAC AND A-BAG CIRCUIT

< DTC/CIRCUIT DIAGNOSIS >

[CAN SYSTEM (TYPE 8)]

MAIN LINE BETWEEN HVAC AND A-BAG CIRCUIT

Diagnosis Procedure

INFOID:000000006888953

1. CHECK HARNESS CONTINUITY (OPEN CIRCUIT)

1. Turn the ignition switch OFF.
2. Disconnect the battery cable from the negative terminal.
3. Disconnect the following harness connectors.
 - ECM
 - A/C auto amp.
 - AV control unit
4. Check the continuity between the A/C auto amp. harness connector and the AV control unit harness connector.
 - Models with navigation system

A/C auto amp. harness connector		AV control unit harness connector		Continuity
Connector No.	Terminal No.	Connector No.	Terminal No.	
M66	12	M210	90	Existed
	11		74	Existed

- Models without navigation system

A/C auto amp. harness connector		AV control unit harness connector		Continuity
Connector No.	Terminal No.	Connector No.	Terminal No.	
M66	12	M84	81	Existed
	11		80	Existed

Is the inspection result normal?

YES (Present error)>>Check CAN system type decision again.

YES (Past error)>>Error was detected in the main line between the A/C auto amp. and the air bag diagnosis sensor unit.

NO >> Replace the PCB harness.

A
B
C
D
E
F
G
H
I
J
K
L

LAN

N
O
P

MAIN LINE BETWEEN A-BAG AND AV CIRCUIT

< DTC/CIRCUIT DIAGNOSIS >

[CAN SYSTEM (TYPE 8)]

MAIN LINE BETWEEN A-BAG AND AV CIRCUIT

Diagnosis Procedure

INFOID:000000006888954

1. CHECK HARNESS CONTINUITY (OPEN CIRCUIT)

1. Turn the ignition switch OFF.
2. Disconnect the battery cable from the negative terminal.
3. Disconnect the following harness connectors.
 - ECM
 - A/C auto amp.
 - AV control unit
4. Check the continuity between the A/C auto amp. harness connector and the AV control unit harness connector.
 - Models with navigation system

A/C auto amp. harness connector		AV control unit harness connector		Continuity
Connector No.	Terminal No.	Connector No.	Terminal No.	
M66	12	M210	90	Existed
	11		74	Existed

- Models without navigation system

A/C auto amp. harness connector		AV control unit harness connector		Continuity
Connector No.	Terminal No.	Connector No.	Terminal No.	
M66	12	M84	81	Existed
	11		80	Existed

Is the inspection result normal?

YES (Present error)>>Check CAN system type decision again.

YES (Past error)>>Error was detected in the main line between the air bag diagnosis sensor unit and the AV control unit.

NO >> Replace the PCB harness.

MAIN LINE BETWEEN AV AND M&A CIRCUIT

< DTC/CIRCUIT DIAGNOSIS >

[CAN SYSTEM (TYPE 8)]

MAIN LINE BETWEEN AV AND M&A CIRCUIT

Diagnosis Procedure

INFOID:000000006888955

1. CHECK HARNESS CONTINUITY (OPEN CIRCUIT)

1. Turn the ignition switch OFF.
2. Disconnect the battery cable from the negative terminal.
3. Disconnect the following harness connectors.
 - ECM
 - AV control unit
 - Combination meter
4. Check the continuity between the AV control unit harness connector and the combination meter harness connector.
 - Models with navigation system

AV control unit harness connector		Combination meter harness connector		Continuity
Connector No.	Terminal No.	Connector No.	Terminal No.	
M210	90	M53	14	Existed
	74		15	Existed

- Models without navigation system

AV control unit harness connector		Combination meter harness connector		Continuity
Connector No.	Terminal No.	Connector No.	Terminal No.	
M84	81	M53	14	Existed
	80		15	Existed

Is the inspection result normal?

YES (Present error)>>Check CAN system type decision again.

YES (Past error)>>Error was detected in the main line between the AV control unit and the combination meter.

NO >> Replace the PCB harness.

A
B
C
D
E
F
G
H
I
J
K
L
N
O
P

LAN

MAIN LINE BETWEEN M&A AND DLC CIRCUIT

< DTC/CIRCUIT DIAGNOSIS >

[CAN SYSTEM (TYPE 8)]

MAIN LINE BETWEEN M&A AND DLC CIRCUIT

Diagnosis Procedure

INFOID:000000006888956

1. CHECK HARNESS CONTINUITY (OPEN CIRCUIT)

1. Turn the ignition switch OFF.
2. Disconnect the battery cable from the negative terminal.
3. Disconnect the following harness connectors.
 - ECM
 - Combination meter
 - Harness connectors M105 and M181
4. Check the continuity between the combination meter harness connector and the harness connector.

Combination meter harness connector		Harness connector		Continuity
Connector No.	Terminal No.	Connector No.	Terminal No.	
M53	14	M105	7	Existed
	15		8	Existed

Is the inspection result normal?

YES (Present error)>>Check CAN system type decision again.

YES (Past error)>>Error was detected in the main line between the combination meter and the data link connector.

NO >> Replace the PCB harness.

MAIN LINE BETWEEN DLC AND BCM CIRCUIT

< DTC/CIRCUIT DIAGNOSIS >

[CAN SYSTEM (TYPE 8)]

MAIN LINE BETWEEN DLC AND BCM CIRCUIT

Diagnosis Procedure

INFOID:000000006888957

1. CHECK HARNESS CONTINUITY (OPEN CIRCUIT)

1. Turn the ignition switch OFF.
2. Disconnect the battery cable from the negative terminal.
3. Disconnect the following harness connectors.
 - ECM
 - Harness connectors M181 and M105
 - BCM
4. Check the continuity between the harness connector and the BCM harness connector.

Harness connector		BCM harness connector		Continuity
Connector No.	Terminal No.	Connector No.	Terminal No.	
M105	7	M120	39	Existed
	8		40	Existed

Is the inspection result normal?

YES (Present error)>>Check CAN system type decision again.

YES (Past error)>>Error was detected in the main line between the data link connector and the BCM.

NO >> Replace the PCB harness.

A
B
C
D
E
F
G
H
I
J
K
L

LAN

N
O
P

MAIN LINE BETWEEN BCM AND RAS CIRCUIT

< DTC/CIRCUIT DIAGNOSIS >

[CAN SYSTEM (TYPE 8)]

MAIN LINE BETWEEN BCM AND RAS CIRCUIT

Diagnosis Procedure

INFOID:000000006888958

1.CHECK CONNECTOR

1. Turn the ignition switch OFF.
2. Disconnect the battery cable from the negative terminal.
3. Check the following terminals and connectors for damage, bend and loose connection (connector side and harness side).
 - Harness connector M20 and PCB harness side connector
 - Harness connector M7
 - Harness connector B1

Is the inspection result normal?

YES >> GO TO 2.

NO >> Repair the terminal and connector.

2.CHECK HARNESS CONTINUITY (OPEN CIRCUIT)

1. Disconnect the following harness connectors.
 - BCM
 - Harness connector M20
2. Check the continuity between the BCM harness connector and the PCB harness connector.

BCM harness connector		PCB harness connector		Continuity
Connector No.	Terminal No.	Terminal No.		
M120	39	35		Existed
	40	36		Existed

Is the inspection result normal?

YES >> GO TO 3.

NO >> Replace the PCB harness.

3.CHECK HARNESS CONTINUITY (OPEN CIRCUIT)

1. Disconnect the harness connectors M7 and B1.
2. Check the continuity between the harness connectors.

Harness connector		Harness connector		Continuity
Connector No.	Terminal No.	Connector No.	Terminal No.	
M20	35	M7	72	Existed
	36		73	Existed

Is the inspection result normal?

YES >> GO TO 4.

NO >> Repair the main line between the harness connectors M20 and M7.

4.CHECK HARNESS CONTINUITY (OPEN CIRCUIT)

Check the continuity between the harness connector terminals.

Connector No.	Terminal No.		Continuity
B1	72	74	Existed
	73	75	Existed

Is the inspection result normal?

YES (Present error)>>Check CAN system type decision again.

YES (Past error)>>Error was detected in the main line between the BCM and the 4WAS main control unit.

NO >> Replace the body harness.

MAIN LINE BETWEEN RAS AND ABS CIRCUIT

< DTC/CIRCUIT DIAGNOSIS >

[CAN SYSTEM (TYPE 8)]

MAIN LINE BETWEEN RAS AND ABS CIRCUIT

Diagnosis Procedure

INFOID:000000006888959

1. CHECK CONNECTOR

1. Turn the ignition switch OFF.
2. Disconnect the battery cable from the negative terminal.
3. Check the following terminals and connectors for damage, bend and loose connection (connector side and harness side).
 - Harness connector B1
 - Harness connector M7
 - Harness connector M6
 - Harness connector E106

Is the inspection result normal?

YES >> GO TO 2.

NO >> Repair the terminal and connector.

2. CHECK HARNESS CONTINUITY (OPEN CIRCUIT)

1. Disconnect the harness connectors B1 and M7.
2. Check the continuity between the harness connector terminals.

Connector No.	Terminal No.		Continuity
B1	72	74	Existed
	73	75	Existed

Is the inspection result normal?

YES >> GO TO 3.

NO >> Replace the body harness.

3. CHECK HARNESS CONTINUITY (OPEN CIRCUIT)

1. Disconnect the harness connectors M6 and E106.
2. Check the continuity between the harness connectors.

Harness connector		Harness connector		Continuity
Connector No.	Terminal No.	Connector No.	Terminal No.	
M7	74	M6	22	Existed
	75		23	Existed

Is the inspection result normal?

YES >> GO TO 4.

NO >> Repair the main line between the harness connectors M7 and M6.

4. CHECK HARNESS CONTINUITY (OPEN CIRCUIT)

1. Disconnect the connector of ABS actuator and electric unit (control unit).
2. Check the continuity between the harness connector and the ABS actuator and electric unit (control unit) harness connector.

Harness connector		ABS actuator and electric unit (control unit) harness connector		Continuity
Connector No.	Terminal No.	Connector No.	Terminal No.	
E106	22	E41	25	Existed
	23		15	Existed

Is the inspection result normal?

YES (Present error)>>Check CAN system type decision again.

YES (Past error)>>Error was detected in the main line between the 4WAS main control unit and the ABS actuator and electric unit (control unit).

A
B
C
D
E
F
G
H
I
J
K
L

LAN

N
O
P

MAIN LINE BETWEEN RAS AND ABS CIRCUIT

< DTC/CIRCUIT DIAGNOSIS >

[CAN SYSTEM (TYPE 8)]

NO >> Repair the main line between the harness connector E106 and the ABS actuator and electric unit (control unit).

MAIN LINE BETWEEN DLC AND ADP CIRCUIT

< DTC/CIRCUIT DIAGNOSIS >

[CAN SYSTEM (TYPE 8)]

MAIN LINE BETWEEN DLC AND ADP CIRCUIT

Diagnosis Procedure

INFOID:000000007205624

1.CHECK CONNECTOR

1. Turn the ignition switch OFF.
2. Disconnect the battery cable from the negative terminal.
3. Check the following terminals and connectors for damage, bend and loose connection (connector side and harness side).
 - Harness connector M20 and PCB harness side connector
 - Harness connector M7
 - Harness connector B1

Is the inspection result normal?

YES >> GO TO 2.

NO >> Repair the terminal and connector.

2.CHECK HARNESS CONTINUITY (OPEN CIRCUIT)

1. Disconnect the harness connector M20.
2. Check the continuity between the data link connector and the PCB harness connector.

Data link connector		PCB harness connector		Continuity
Connector No.	Terminal No.	Terminal No.		
M182	13	24		Existed
	12	27		Existed

Is the inspection result normal?

YES >> GO TO 3.

NO >> Replace the PCB harness.

3.CHECK HARNESS CONTINUITY (OPEN CIRCUIT)

1. Disconnect the harness connectors M7 and B1.
2. Check the continuity between the harness connectors.

Harness connector		Harness connector		Continuity
Connector No.	Terminal No.	Connector No.	Terminal No.	
M20	24	M7	34	Existed
	27		35	Existed

Is the inspection result normal?

YES >> GO TO 4.

NO >> Repair the main line between the harness connectors M20 and M7.

4.CHECK HARNESS CONTINUITY (OPEN CIRCUIT)

Check the continuity between the harness connector terminals.

Connector No.	Terminal No.		Continuity
B1	34	32	Existed
	35	33	Existed

Is the inspection result normal?

YES (Present error)>>Check CAN system type decision again.

YES (Past error)>>Error was detected in the main line between the data link connector and the driver seat control unit.

NO >> Replace the body harness.

A
B
C
D
E
F
G
H
I
J
K
L
N
O
P

LAN

MAIN LINE BETWEEN RDR-L AND RDR-R CIRCUIT

< DTC/CIRCUIT DIAGNOSIS >

[CAN SYSTEM (TYPE 8)]

MAIN LINE BETWEEN RDR-L AND RDR-R CIRCUIT

Diagnosis Procedure

INFOID:000000006888960

1. CHECK CONNECTOR

1. Turn the ignition switch OFF.
2. Disconnect the battery cable from the negative terminal.
3. Check the following terminals and connectors for damage, bend and loose connection (connector side and harness side).
 - Harness connector B33
 - Harness connector B245

Is the inspection result normal?

YES >> GO TO 2.

NO >> Repair the terminal and connector.

2. CHECK HARNESS CONTINUITY (OPEN CIRCUIT)

1. Disconnect the following harness connectors.
 - Side radar LH
 - Harness connectors B33 and B245
2. Check the continuity between the side radar LH harness connector and the harness connector.

Side radar LH harness connector		Harness connector		Continuity
Connector No.	Terminal No.	Connector No.	Terminal No.	
B52	4	B33	13	Existed
	3		14	Existed

Is the inspection result normal?

YES >> GO TO 3.

NO >> Repair the main line between the side radar LH and the harness connector B33.

3. CHECK HARNESS CONTINUITY (OPEN CIRCUIT)

1. Disconnect the connector of side radar RH.
2. Check the continuity between the harness connector and the side radar RH harness connector.

Harness connector		Side radar RH harness connector		Continuity
Connector No.	Terminal No.	Connector No.	Terminal No.	
B245	13	B252	4	Existed
	14		3	Existed

Is the inspection result normal?

YES (Present error)>>Check CAN system type decision again.

YES (Past error)>>Error was detected in the main line between the side radar LH and the side radar RH.

NO >> Repair the main line between the harness connector B245 and the side radar RH.

MAIN LINE BETWEEN RDR-R AND APA CIRCUIT

< DTC/CIRCUIT DIAGNOSIS >

[CAN SYSTEM (TYPE 8)]

MAIN LINE BETWEEN RDR-R AND APA CIRCUIT

Diagnosis Procedure

INFOID:000000006888961

1.CHECK CONNECTOR

1. Turn the ignition switch OFF.
2. Disconnect the battery cable from the negative terminal.
3. Check the following terminals and connectors for damage, bend and loose connection (connector side and harness side).
 - Harness connector B201
 - Harness connector M117
 - Harness connector M20 and PCB harness side connector

Is the inspection result normal?

YES >> GO TO 2.

NO >> Repair the terminal and connector.

2.CHECK HARNESS CONTINUITY (OPEN CIRCUIT)

1. Disconnect the following harness connectors.
 - Side radar RH
 - Harness connectors B201 and M117
2. Check the continuity between the side radar RH harness connector and the harness connector.

Side radar RH harness connector		Harness connector		Continuity
Connector No.	Terminal No.	Connector No.	Terminal No.	
B252	4	B201	66	Existed
	3		67	Existed

Is the inspection result normal?

YES >> GO TO 3.

NO >> Repair the main line between the side radar RH and the harness connector B201.

3.CHECK HARNESS CONTINUITY (OPEN CIRCUIT)

1. Disconnect the harness connector M20.
2. Check the continuity between the harness connectors.

Harness connector		Harness connector		Continuity
Connector No.	Terminal No.	Connector No.	Terminal No.	
M117	66	M20	38	Existed
	67		40	Existed

Is the inspection result normal?

YES >> GO TO 4.

NO >> Repair the main line between the harness connectors M117 and M20.

4.CHECK HARNESS CONTINUITY (OPEN CIRCUIT)

1. Disconnect the harness connectors M150 and M151.
2. Check the continuity between the PCB harness connector and the harness connector.

PCB harness connector		Harness connector		Continuity
Terminal No.	Connector No.	Terminal No.	Connector No.	
38	M150	11	M151	Existed
40		10		Existed

Is the inspection result normal?

YES (Present error)>>Check CAN system type decision again.

YES (Past error)>>Error was detected in the main line between the side radar RH and the accelerator pedal actuator.

A
B
C
D
E
F
G
H
I
J
K
L
N
O
P

LAN

MAIN LINE BETWEEN RDR-R AND APA CIRCUIT

< DTC/CIRCUIT DIAGNOSIS >

[CAN SYSTEM (TYPE 8)]

NO >> Replace the PCB harness.

MAIN LINE BETWEEN APA AND LANE CIRCUIT

< DTC/CIRCUIT DIAGNOSIS >

[CAN SYSTEM (TYPE 8)]

MAIN LINE BETWEEN APA AND LANE CIRCUIT

Diagnosis Procedure

INFOID:000000006888962

1. CHECK HARNESS CONTINUITY (OPEN CIRCUIT)

1. Turn the ignition switch OFF.
2. Disconnect the battery cable from the negative terminal.
3. Disconnect the following harness connectors.
 - ADAS control unit
 - Harness connectors M151 and M150
 - Harness connectors M110 and R7
4. Check the continuity between the harness connectors.

Harness connector		Harness connector		Continuity
Connector No.	Terminal No.	Connector No.	Terminal No.	
M150	11	M110	13	Existed
	10		2	Existed

Is the inspection result normal?

YES (Present error)>>Check CAN system type decision again.

YES (Past error)>>Error was detected in the main line between the accelerator pedal actuator and the lane camera unit.

NO >> Replace the PCB harness.

A
B
C
D
E
F
G
H
I
J
K
L

LAN

N
O
P

ECM BRANCH LINE CIRCUIT

< DTC/CIRCUIT DIAGNOSIS >

[CAN SYSTEM (TYPE 8)]

ECM BRANCH LINE CIRCUIT

Diagnosis Procedure

INFOID:000000007217837

1. CHECK CONNECTOR

1. Turn the ignition switch OFF.
2. Disconnect the battery cable from the negative terminal.
3. Check the following terminals and connectors for damage, bend and loose connection (unit side and connector side).
 - ECM
 - Harness connector M30 and PCB harness side connector

Is the inspection result normal?

YES >> GO TO 2.

NO >> Repair the terminal and connector.

2. CHECK HARNESS FOR OPEN CIRCUIT

1. Disconnect the connector of ECM.
2. Check the resistance between the ECM harness connector terminals.
 - VQ37VHR

ECM harness connector			Resistance (Ω)
Connector No.	Terminal No.		
M107	114	113	Approx. 108 – 132

- VK56VD

ECM harness connector			Resistance (Ω)
Connector No.	Terminal No.		
M160	146	151	Approx. 108 – 132

Is the measurement value within the specification?

YES >> GO TO 3.

NO >> GO TO 4.

3. CHECK POWER SUPPLY AND GROUND CIRCUIT

Check the power supply and the ground circuit of the ECM. Refer to the following.

- VQ37VHR for USA and Canada: [EC-180, "Diagnosis Procedure"](#)
- VQ37VHR for Mexico: [EC-682, "Diagnosis Procedure"](#)
- VK56VD for USA and Canada: [EC-1149, "Diagnosis Procedure"](#)
- VK56VD for Mexico: [EC-1707, "Diagnosis Procedure"](#)

Is the inspection result normal?

YES (Present error)>>Replace the ECM. Refer to the following.

- VQ37VHR for USA and Canada: [EC-543, "Removal and Installation"](#)
- VQ37VHR for Mexico: [EC-980, "Removal and Installation"](#)
- VK56VD for USA and Canada: [EC-1553, "Removal and Installation"](#)
- VK56VD for Mexico: [EC-2013, "Removal and Installation"](#)

YES (Past error)>>Error was detected in the ECM branch line.

NO >> Repair the power supply and the ground circuit.

4. CHECK HARNESS CONTINUITY (OPEN CIRCUIT)

1. Disconnect the harness connector M30.
2. Check the continuity between the ECM harness connector and the harness connector.
 - VQ37VHR

ECM harness connector		Harness connector		Continuity
Connector No.	Terminal No.	Connector No.	Terminal No.	

ECM BRANCH LINE CIRCUIT

< DTC/CIRCUIT DIAGNOSIS >

[CAN SYSTEM (TYPE 8)]

M107	114	M30	439	Existed
	113		438	Existed

A

- VK56VD

B

ECM harness connector		Harness connector		Continuity
Connector No.	Terminal No.	Connector No.	Terminal No.	
M160	146	M30	439	Existed
	151		438	Existed

C

Is the inspection result normal?

D

YES >> Replace the PCB harness.

NO (VQ37VHR)>>Repair the harness between the ECM harness connector M107 and the harness connector M30.

NO (VK56VD)>>Repair the harness between the ECM harness connector M160 and the harness connector M30.

E

F

G

H

I

J

K

L

LAN

N

O

P

TPMS BRANCH LINE CIRCUIT

< DTC/CIRCUIT DIAGNOSIS >

[CAN SYSTEM (TYPE 8)]

TPMS BRANCH LINE CIRCUIT

Diagnosis Procedure

INFOID:000000007217838

1. CHECK CONNECTOR

1. Turn the ignition switch OFF.
2. Disconnect the battery cable from the negative terminal.
3. Check the following terminals and connectors for damage, bend and loose connection (unit side and connector side).
 - Low tire pressure warning control unit
 - Harness connector M29 and PCB harness side connector

Is the inspection result normal?

YES >> GO TO 2.

NO >> Repair the terminal and connector.

2. CHECK HARNESS FOR OPEN CIRCUIT

1. Disconnect the connector of low tire pressure warning control unit.
2. Check the resistance between the low tire pressure warning control unit harness connector terminals.

Low tire pressure warning control unit harness connector			Resistance (Ω)
Connector No.	Terminal No.		
M43	2	1	Approx. 54 – 66

Is the measurement value within the specification?

YES >> GO TO 3.

NO >> GO TO 4.

3. CHECK POWER SUPPLY AND GROUND CIRCUIT

Check the power supply and the ground circuit of the low tire pressure warning control unit. Refer to [WT-43. "Diagnosis Procedure"](#).

Is the inspection result normal?

YES (Present error)>>Replace the low tire pressure warning control unit. Refer to [WT-58. "Removal and Installation"](#).

YES (Past error)>>Error was detected in the low tire pressure warning control unit branch line.

NO >> Repair the power supply and the ground circuit.

4. CHECK HARNESS CONTINUITY (OPEN CIRCUIT)

1. Disconnect the harness connector M29.
2. Check the continuity between the low tire pressure warning control unit harness connector and the harness connector.

Low tire pressure warning control unit harness connector		Harness connector		Continuity
Connector No.	Terminal No.	Connector No.	Terminal No.	
M43	2	M29	396	Existed
	1		395	Existed

Is the inspection result normal?

YES >> Replace the PCB harness.

NO >> Repair the harness between the low tire pressure warning control unit harness connector M43 and the harness connector M29.

CGW BRANCH LINE CIRCUIT (CAN COMMUNICATION CIRCUIT 1)

< DTC/CIRCUIT DIAGNOSIS >

[CAN SYSTEM (TYPE 8)]

CGW BRANCH LINE CIRCUIT (CAN COMMUNICATION CIRCUIT 1)

Diagnosis Procedure

INFOID:000000007205638

1. CHECK DTC

Check DTC of the CAN gateway with CONSULT.

Is U1010 or B2600 indicated?

- YES >> Perform a diagnosis of the indicated DTC.
- NO >> GO TO 2.

2. CHECK CONNECTOR

1. Turn the ignition switch OFF.
2. Disconnect the battery cable from the negative terminal.
3. Check the following terminals and connectors for damage, bend and loose connection (unit side and connector side).
 - CAN gateway
 - Harness connector M28 and PCB harness side connector

Is the inspection result normal?

- YES >> GO TO 3.
- NO >> Repair the terminal and connector.

3. CHECK HARNESS FOR OPEN CIRCUIT

1. Disconnect the connector of CAN gateway.
2. Check the resistance between the CAN gateway harness connector terminals.

CAN gateway harness connector			Resistance (Ω)
Connector No.	Terminal No.		
M125	1	7	Approx. 54 – 66

Is the measurement value within the specification?

- YES >> GO TO 4.
- NO >> GO TO 5.

4. CHECK POWER SUPPLY AND GROUND CIRCUIT

Check the power supply and the ground circuit of the CAN gateway. Refer to [LAN-122, "Diagnosis Procedure"](#).

Is the inspection result normal?

- YES (Present error)>>Replace the CAN gateway. Refer to [LAN-123, "Removal and Installation"](#).
- YES (Past error)>>Error was detected in the CAN gateway branch line (CAN communication circuit 1 side). Refer to [LAN-47, "System Diagram"](#).
- NO >> Repair the power supply and the ground circuit.

5. CHECK HARNESS CONTINUITY (OPEN CIRCUIT)

1. Disconnect the harness connector M28.
2. Check the continuity between the CAN gateway harness connector and the harness connector.

CAN gateway harness connector		Harness connector		Continuity
Connector No.	Terminal No.	Connector No.	Terminal No.	
M125	1	M28	326	Existed
	7		328	Existed

Is the inspection result normal?

- YES >> Replace the PCB harness.
- NO >> Repair the harness between the CAN gateway harness connector M125 and the harness connector M28.

A
B
C
D
E
F
G
H
I
J
K
L
N
O
P

LAN

CGW BRANCH LINE CIRCUIT (CAN COMMUNICATION CIRCUIT 2)

< DTC/CIRCUIT DIAGNOSIS >

[CAN SYSTEM (TYPE 8)]

CGW BRANCH LINE CIRCUIT (CAN COMMUNICATION CIRCUIT 2)

Diagnosis Procedure

INFOID:000000007205639

1. CHECK DTC

Check DTC of the CAN gateway with CONSULT.

Is U1010 or B2600 indicated?

- YES >> Perform a diagnosis of the indicated DTC.
- NO >> GO TO 2.

2. CHECK CONNECTOR

1. Turn the ignition switch OFF.
2. Disconnect the battery cable from the negative terminal.
3. Check the following terminals and connectors for damage, bend and loose connection (unit side and connector side).
 - CAN gateway
 - Harness connector M23 and PCB harness side connector

Is the inspection result normal?

- YES >> GO TO 3.
- NO >> Repair the terminal and connector.

3. CHECK HARNESS CONTINUITY (OPEN CIRCUIT)

1. Disconnect the connector of CAN gateway.
2. Check the continuity between the CAN gateway harness connector terminals.

CAN gateway harness connector			Continuity
Connector No.	Terminal No.		
M125	4	6	Existed
	10	12	Existed

Is the inspection result normal?

- YES >> GO TO 4.
- NO >> GO TO 5.

4. CHECK POWER SUPPLY AND GROUND CIRCUIT

Check the power supply and the ground circuit of the CAN gateway. Refer to [LAN-122, "Diagnosis Procedure"](#).

Is the inspection result normal?

- YES (Present error)>>Replace the CAN gateway. Refer to [LAN-123, "Removal and Installation"](#).
- YES (Past error)>>Error was detected in the CAN gateway branch line (CAN communication circuit 2 side). Refer to [LAN-47, "System Diagram"](#).
- NO >> Repair the power supply and the ground circuit.

5. CHECK HARNESS CONTINUITY (OPEN CIRCUIT)

1. Disconnect the harness connector M23.
2. Check the continuity between the CAN gateway harness connector and the harness connector.

CAN gateway harness connector		Harness connector		Continuity
Connector No.	Terminal No.	Connector No.	Terminal No.	
M125	4	M23	133	Existed
	10		135	Existed

Is the inspection result normal?

- YES >> Replace the PCB harness.
- NO >> Repair the harness between the CAN gateway harness connector M125 and the harness connector M23.

HVAC BRANCH LINE CIRCUIT

< DTC/CIRCUIT DIAGNOSIS >

[CAN SYSTEM (TYPE 8)]

HVAC BRANCH LINE CIRCUIT

Diagnosis Procedure

INFOID:000000006888967

1. CHECK CONNECTOR

1. Turn the ignition switch OFF.
2. Disconnect the battery cable from the negative terminal.
3. Check the following terminals and connectors for damage, bend and loose connection (unit side and connector side).
 - A/C auto amp.
 - Harness connector M28 and PCB harness side connector

Is the inspection result normal?

- YES >> GO TO 2.
NO >> Repair the terminal and connector.

2. CHECK HARNESS FOR OPEN CIRCUIT

1. Disconnect the connector of A/C auto amp.
2. Check the resistance between the A/C auto amp. harness connector terminals.

A/C auto amp. harness connector			Resistance (Ω)
Connector No.	Terminal No.		
M66	12	11	Approx. 54 – 66

Is the measurement value within the specification?

- YES >> GO TO 3.
NO >> GO TO 4.

3. CHECK POWER SUPPLY AND GROUND CIRCUIT

Check the power supply and the ground circuit of the A/C auto amp. Refer to [HAC-156. "A/C AUTO AMP. : Diagnosis Procedure"](#).

Is the inspection result normal?

- YES (Present error)>>Replace the A/C auto amp. Refer to [HAC-190. "Removal and Installation"](#).
YES (Past error)>>Error was detected in the A/C auto amp. branch line.
NO >> Repair the power supply and the ground circuit.

4. CHECK HARNESS CONTINUITY (OPEN CIRCUIT)

1. Disconnect the harness connector M28.
2. Check the continuity between the A/C auto amp. harness connector and the harness connector.

A/C auto amp. harness connector		Harness connector		Continuity
Connector No.	Terminal No.	Connector No.	Terminal No.	
M66	12	M28	325	Existed
	11		327	Existed

Is the inspection result normal?

- YES >> Replace the PCB harness.
NO >> Repair the harness between the A/C auto amp. harness connector M66 and the harness connector M28.

A
B
C
D
E
F
G
H
I
J
K
L
N
O
P

LAN

TCM BRANCH LINE CIRCUIT

< DTC/CIRCUIT DIAGNOSIS >

[CAN SYSTEM (TYPE 8)]

TCM BRANCH LINE CIRCUIT

Diagnosis Procedure

INFOID:000000007205664

1. CHECK CONNECTOR

1. Turn the ignition switch OFF.
2. Disconnect the battery cable from the negative terminal.
3. Check the following terminals and connectors for damage, bend and loose connection (unit side and connector side).
 - A/T assembly
 - Harness connector F103
 - Harness connector M116
 - Harness connector M28 and PCB harness side connector

Is the inspection result normal?

YES >> GO TO 2.

NO >> Repair the terminal and connector.

2. CHECK HARNESS FOR OPEN CIRCUIT

1. Disconnect the connector of A/T assembly.
2. Check the resistance between the A/T assembly harness connector terminals.

A/T assembly harness connector		Resistance (Ω)
Connector No.	Terminal No.	
F61	3 8	Approx. 54 – 66

Is the measurement value within the specification?

YES >> GO TO 3.

NO >> GO TO 5.

3. CHECK HARNESS FOR OPEN CIRCUIT

1. Remove the joint connector. Refer to [TM-181, "Exploded View"](#).
2. Check the continuity between the A/T assembly harness connector side and the TCM harness connector side of the joint connector.

A/T assembly harness connector side	TCM harness connector side	Continuity
Terminal No.	Terminal No.	
3	3	Existed
8	8	Existed

Is the inspection result normal?

YES >> GO TO 4.

NO >> Replace the joint connector.

4. CHECK POWER SUPPLY AND GROUND CIRCUIT

Check the power supply and the ground circuit of the TCM. Refer to [TM-150, "Diagnosis Procedure"](#).

Is the inspection result normal?

YES (Present error)>>Replace the control valve & TCM. Refer to [TM-181, "Exploded View"](#).

YES (Past error)>>Error was detected in the TCM branch line.

NO >> Repair the power supply and the ground circuit.

5. CHECK HARNESS CONTINUITY (OPEN CIRCUIT)

1. Disconnect the harness connector M28.
2. Check the continuity between the A/T assembly harness connector and the harness connector.

TCM BRANCH LINE CIRCUIT

< DTC/CIRCUIT DIAGNOSIS >

[CAN SYSTEM (TYPE 8)]

A/T assembly harness connector		Harness connector		Continuity
Connector No.	Terminal No.	Connector No.	Terminal No.	
F61	3	M28	346	Existed
	8		347	Existed

Is the inspection result normal?

YES >> Replace the PCB harness.

NO >> Repair the harness between the A/T assembly harness connector F61 and the harness connector M28.

A
B
C
D
E
F
G
H
I
J
K
L

LAN

N
O
P

A-BAG BRANCH LINE CIRCUIT

< DTC/CIRCUIT DIAGNOSIS >

[CAN SYSTEM (TYPE 8)]

A-BAG BRANCH LINE CIRCUIT

Diagnosis Procedure

INFOID:000000006888969

WARNING:

- Before servicing, turn ignition switch OFF, disconnect battery negative terminal, and wait 3 minutes or more. (To discharge backup capacitor.)
- Never use unspecified tester or other measuring device.

1. CHECK CONNECTOR

1. Turn the ignition switch OFF.
2. Disconnect the battery cable from the negative terminal.
3. Check the following terminals and connectors for damage, bend and loose connection (unit side and connector side).
 - Air bag diagnosis sensor unit
 - Harness connector M26 and PCB harness side connector

Is the inspection result normal?

- YES >> GO TO 2.
NO >> Replace the main harness and/or the PCB harness.

2. CHECK AIR BAG DIAGNOSIS SENSOR UNIT

Check the air bag diagnosis sensor unit. Refer to [SRC-24. "Work Flow"](#).

Is the inspection result normal?

- YES >> Replace the main harness and/or the PCB harness.
NO >> Replace parts whose air bag system has a malfunction.

AV BRANCH LINE CIRCUIT

< DTC/CIRCUIT DIAGNOSIS >

[CAN SYSTEM (TYPE 8)]

AV BRANCH LINE CIRCUIT

Diagnosis Procedure

INFOID:00000000688970

1. CHECK CONNECTOR

1. Turn the ignition switch OFF.
2. Disconnect the battery cable from the negative terminal.
3. Check the following terminals and connectors for damage, bend and loose connection (unit side and connector side).
 - AV control unit
 - Harness connector M25 and PCB harness side connector

Is the inspection result normal?

YES >> GO TO 2.

NO >> Repair the terminal and connector.

2. CHECK HARNESS FOR OPEN CIRCUIT

1. Disconnect the connector of AV control unit.
2. Check the resistance between the AV control unit harness connector terminals.
 - Models with navigation system

AV control unit harness connector			Resistance (Ω)
Connector No.	Terminal No.		
M210	90	74	Approx. 54 – 66

- Models without navigation system

AV control unit harness connector			Resistance (Ω)
Connector No.	Terminal No.		
M84	81	80	Approx. 54 – 66

Is the measurement value within the specification?

YES >> GO TO 3.

NO >> GO TO 4.

3. CHECK POWER SUPPLY AND GROUND CIRCUIT

Check the power supply and the ground circuit of the AV control unit. Refer to the following.

- Base audio without navigation system: [AV-72, "AV CONTROL UNIT : Diagnosis Procedure"](#)
- BOSE audio with navigation system: [AV-236, "AV CONTROL UNIT : Diagnosis Procedure"](#)

Is the inspection result normal?

YES (Present error)>>Replace the AV control unit. Refer to the following.

- Base audio without navigation system: [AV-103, "Removal and Installation"](#)
- BOSE audio with navigation system: [AV-263, "Removal and Installation"](#)

YES (Past error)>>Error was detected in the AV control unit branch line.

NO >> Repair the power supply and the ground circuit.

4. CHECK HARNESS CONTINUITY (OPEN CIRCUIT)

1. Disconnect the harness connector M25.
2. Check the continuity between the AV control unit harness connector and the harness connector.
 - Models with navigation system

AV control unit harness connector		Harness connector		Continuity
Connector No.	Terminal No.	Connector No.	Terminal No.	
M210	90	M25	201	Existed
	74		221	Existed

- Models without navigation system

AV BRANCH LINE CIRCUIT

< DTC/CIRCUIT DIAGNOSIS >

[CAN SYSTEM (TYPE 8)]

AV control unit harness connector		Harness connector		Continuity
Connector No.	Terminal No.	Connector No.	Terminal No.	
M84	81	M25	201	Existed
	80		221	Existed

Is the inspection result normal?

YES >> Replace the PCB harness.

NO (With navigation system)>>Repair the harness between the AV control unit harness connector M210 and the harness connector M25.

NO (Without navigation system)>>Repair the harness between the AV control unit harness connector M84 and the harness connector M25.

M&A BRANCH LINE CIRCUIT

< DTC/CIRCUIT DIAGNOSIS >

[CAN SYSTEM (TYPE 8)]

M&A BRANCH LINE CIRCUIT

Diagnosis Procedure

INFOID:000000006888971

1.CHECK CONNECTOR

1. Turn the ignition switch OFF.
2. Disconnect the battery cable from the negative terminal.
3. Check the following terminals and connectors for damage, bend and loose connection (unit side and connector side).
 - Combination meter
 - Harness connector M24 and PCB harness side connector

Is the inspection result normal?

YES >> GO TO 2.

NO >> Repair the terminal and connector.

2.CHECK HARNESS FOR OPEN CIRCUIT

1. Disconnect the connector of combination meter.
2. Check the resistance between the combination meter harness connector terminals.

Combination meter harness connector			Resistance (Ω)
Connector No.	Terminal No.		
M53	14	15	Approx. 54 – 66

Is the measurement value within the specification?

YES >> GO TO 3.

NO >> GO TO 4.

3.CHECK POWER SUPPLY AND GROUND CIRCUIT

Check the power supply and the ground circuit of the combination meter Refer to [MWI-59. "COMBINATION METER : Diagnosis Procedure"](#).

Is the inspection result normal?

YES (Present error)>>Replace the combination meter. Refer to [MWI-79. "Removal and Installation"](#).

YES (Past error)>>Error was detected in the combination meter branch line.

NO >> Repair the power supply and the ground circuit.

4.CHECK HARNESS CONTINUITY (OPEN CIRCUIT)

1. Disconnect the harness connector M24.
2. Check the continuity between the combination meter harness connector and the harness connector.

Combination meter harness connector		Harness connector		Continuity
Connector No.	Terminal No.	Connector No.	Terminal No.	
M53	14	M24	176	Existed
	15		177	Existed

Is the inspection result normal?

YES >> Replace the PCB harness.

NO >> Repair the harness between the combination meter harness connector M53 and the harness connector M24.

A
B
C
D
E
F
G
H
I
J
K
L
N
O
P

LAN

DLC BRANCH LINE CIRCUIT (CAN COMMUNICATION CIRCUIT 1)

< DTC/CIRCUIT DIAGNOSIS >

[CAN SYSTEM (TYPE 8)]

DLC BRANCH LINE CIRCUIT (CAN COMMUNICATION CIRCUIT 1)

Diagnosis Procedure

INFOID:000000007205665

1. CHECK CONNECTOR

1. Turn the ignition switch OFF.
2. Disconnect the battery cable from the negative terminal.
3. Check the following terminals and connectors for damage, bend and loose connection (unit side and connector side).
 - Data link connector
 - Harness connector M181
 - Harness connector M105
 - Harness connector M23 and PCB harness side connector

Is the inspection result normal?

YES >> GO TO 2.

NO >> Repair the terminal and connector.

2. CHECK HARNESS FOR OPEN CIRCUIT

Check the resistance between the data link connector terminals.

Data link connector			Resistance (Ω)
Connector No.	Terminal No.		
M182	6	14	Approx. 54 – 66

Is the measurement value within the specification?

YES (Present error)>>Check CAN system type decision again.

YES (Past error)>>Error was detected in the data link connector branch line circuit (CAN communication circuit 1 side). Refer to [LAN-47, "System Diagram"](#).

NO >> GO TO 3.

3. CHECK HARNESS CONTINUITY (OPEN CIRCUIT)

1. Disconnect the harness connector M23.
2. Check the continuity between the data link connector and the harness connector.

Data link connector		Harness connector		Continuity
Connector No.	Terminal No.	Connector No.	Terminal No.	
M182	6	M23	151	Existed
	14		150	Existed

Is the inspection result normal?

YES >> Replace the PCB harness.

NO >> Repair the harness between the data link connector M182 and the harness connector M23.

DLC BRANCH LINE CIRCUIT (CAN COMMUNICATION CIRCUIT 2)

< DTC/CIRCUIT DIAGNOSIS >

[CAN SYSTEM (TYPE 8)]

DLC BRANCH LINE CIRCUIT (CAN COMMUNICATION CIRCUIT 2)

Diagnosis Procedure

INFOID:000000007205666

1. CHECK CONNECTOR

1. Turn the ignition switch OFF.
2. Disconnect the battery cable from the negative terminal.
3. Check the following terminals and connectors for damage, bend and loose connection (unit side and connector side).
 - Data link connector
 - Harness connector M181
 - Harness connector M105
 - Harness connector M23 and PCB harness side connector

Is the inspection result normal?

YES >> GO TO 2.

NO >> Repair the terminal and connector.

2. CHECK HARNESS FOR OPEN CIRCUIT

Check the resistance between the data link connector terminals.

Data link connector		Resistance (Ω)
Connector No.	Terminal No.	
M182	13	Approx. 54 – 66
	12	

Is the measurement value within the specification?

YES (Present error)>>Check CAN system type decision again.

YES (Past error)>>Error was detected in the data link connector branch line circuit (CAN communication circuit 2 side). Refer to [LAN-47, "System Diagram"](#).

NO >> GO TO 3.

3. CHECK HARNESS CONTINUITY (OPEN CIRCUIT)

1. Disconnect the harness connector M23.
2. Check the continuity between the data link connector and the harness connector.

Data link connector		Harness connector		Continuity
Connector No.	Terminal No.	Connector No.	Terminal No.	
M182	13	M23	140	Existed
	12		139	Existed

Is the inspection result normal?

YES >> Replace the PCB harness.

NO >> Repair the harness between the data link connector M182 and the harness connector M23.

LAN

BCM BRANCH LINE CIRCUIT

< DTC/CIRCUIT DIAGNOSIS >

[CAN SYSTEM (TYPE 8)]

BCM BRANCH LINE CIRCUIT

Diagnosis Procedure

INFOID:000000006888973

1. CHECK CONNECTOR

1. Turn the ignition switch OFF.
2. Disconnect the battery cable from the negative terminal.
3. Check the following terminals and connectors for damage, bend and loose connection (unit side and connector side).
 - BCM
 - Harness connector M22 and PCB harness side connector

Is the inspection result normal?

YES >> GO TO 2.

NO >> Repair the terminal and connector.

2. CHECK HARNESS FOR OPEN CIRCUIT

1. Disconnect the connector of BCM.
2. Check the resistance between the BCM harness connector terminals.

BCM harness connector			Resistance (Ω)
Connector No.	Terminal No.		
M120	39	40	Approx. 54 – 66

Is the measurement value within the specification?

YES >> GO TO 3.

NO >> GO TO 4.

3. CHECK POWER SUPPLY AND GROUND CIRCUIT

Check the power supply and the ground circuit of the BCM. Refer to [BCS-75. "Diagnosis Procedure"](#).

Is the inspection result normal?

YES (Present error)>>Replace the BCM. Refer to [BCS-82. "Removal and Installation"](#).

YES (Past error)>>Error was detected in the BCM branch line.

NO >> Repair the power supply and the ground circuit.

4. CHECK HARNESS CONTINUITY (OPEN CIRCUIT)

1. Disconnect the harness connector M22.
2. Check the continuity between the BCM harness connector and the harness connector.

BCM harness connector		Harness connector		Continuity
Connector No.	Terminal No.	Connector No.	Terminal No.	
M120	39	M22	101	Existed
	40		102	Existed

Is the inspection result normal?

YES >> Replace the PCB harness.

NO >> Repair the harness between the BCM harness connector M120 and the harness connector M22.

STRG BRANCH LINE CIRCUIT

< DTC/CIRCUIT DIAGNOSIS >

[CAN SYSTEM (TYPE 8)]

STRG BRANCH LINE CIRCUIT

Diagnosis Procedure

INFOID:000000006888974

1.CHECK CONNECTOR

1. Turn the ignition switch OFF.
2. Disconnect the battery cable from the negative terminal.
3. Check the following terminals and connectors for damage, bend and loose connection (unit side and connector side).
 - Steering angle sensor
 - Harness connector M22 and PCB harness side connector

Is the inspection result normal?

YES >> GO TO 2.

NO >> Repair the terminal and connector.

2.CHECK HARNESS FOR OPEN CIRCUIT

1. Disconnect the connector of steering angle sensor.
2. Check the resistance between the steering angle sensor harness connector terminals.

Steering angle sensor harness connector			Resistance (Ω)
Connector No.	Terminal No.		
M37	1	2	Approx. 54 – 66

Is the measurement value within the specification?

YES >> GO TO 3.

NO >> GO TO 4.

3.CHECK POWER SUPPLY AND GROUND CIRCUIT

Check the power supply and the ground circuit of the steering angle sensor. Refer to [BRC-53. "Wiring Diagram"](#).

Is the inspection result normal?

YES (Present error)>>Replace the steering angle sensor. Refer to [BRC-144. "Removal and Installation"](#).

YES (Past error)>>Error was detected in the steering angle sensor branch line.

NO >> Repair the power supply and the ground circuit.

4.CHECK HARNESS CONTINUITY (OPEN CIRCUIT)

1. Disconnect the harness connector M22.
2. Check the continuity between the steering angle sensor harness connector and the harness connector.

Steering angle sensor harness connector		Harness connector		Continuity
Connector No.	Terminal No.	Connector No.	Terminal No.	
M37	1	M22	81	Existed
	2		82	Existed

Is the inspection result normal?

YES >> Replace the PCB harness.

NO >> Repair the harness between the steering angle sensor harness connector M37 and the harness connector M22.

A
B
C
D
E
F
G
H
I
J
K
L
N
O
P

LAN

RAS BRANCH LINE CIRCUIT

Diagnosis Procedure

INFOID:000000006888975

1. CHECK CONNECTOR

1. Turn the ignition switch OFF.
2. Disconnect the battery cable from the negative terminal.
3. Check the terminals and connectors of the 4WAS main control unit for damage, bend and loose connection (unit side and connector side).

Is the inspection result normal?

- YES >> GO TO 2.
 NO >> Repair the terminal and connector.

2. CHECK HARNESS FOR OPEN CIRCUIT

1. Disconnect the connector of 4WAS main control unit.
2. Check the resistance between the 4WAS main control unit harness connector terminals.

4WAS main control unit harness connector			Resistance (Ω)
Connector No.	Terminal No.		
B54	1	8	Approx. 54 – 66

Is the measurement value within the specification?

- YES >> GO TO 3.
 NO >> Replace the body harness.

3. CHECK POWER SUPPLY AND GROUND CIRCUIT

Check the power supply and the ground circuit of the 4WAS main control unit. Refer to [STC-160, "Diagnosis Procedure \(4WAS Main Control Unit\)"](#).

Is the inspection result normal?

- YES (Present error)>>Replace the 4WAS main control unit. Refer to [STC-174, "Removal and Installation"](#).
 YES (Past error)>>Error was detected in the 4WAS main control unit branch line.
 NO >> Repair the power supply and the ground circuit.

ABS BRANCH LINE CIRCUIT

< DTC/CIRCUIT DIAGNOSIS >

[CAN SYSTEM (TYPE 8)]

ABS BRANCH LINE CIRCUIT

Diagnosis Procedure

INFOID:000000006888976

1. CHECK CONNECTOR

1. Turn the ignition switch OFF.
2. Disconnect the battery cable from the negative terminal.
3. Check the terminals and connectors of the ABS actuator and electric unit (control unit) for damage, bend and loose connection (unit side and connector side).

Is the inspection result normal?

- YES >> GO TO 2.
NO >> Repair the terminal and connector.

2. CHECK HARNESS FOR OPEN CIRCUIT

1. Disconnect the connector of ABS actuator and electric unit (control unit).
2. Check the resistance between the ABS actuator and electric unit (control unit) harness connector terminals.

ABS actuator and electric unit (control unit) harness connector			Resistance (Ω)
Connector No.	Terminal No.		
E41	25	15	Approx. 54 – 66

Is the measurement value within the specification?

- YES >> GO TO 3.
NO >> Repair the ABS actuator and electric unit (control unit) branch line.

3. CHECK POWER SUPPLY AND GROUND CIRCUIT

Check the power supply and the ground circuit of the ABS actuator and electric unit (control unit). Refer to [BRC-119, "Diagnosis Procedure"](#).

Is the inspection result normal?

- YES (Present error)>>Replace the ABS actuator and electric unit (control unit). Refer to [BRC-141, "Removal and Installation"](#).
YES (Past error)>>Error was detected in the ABS actuator and electric unit (control unit) branch line.
NO >> Repair the power supply and the ground circuit.

A
B
C
D
E
F
G
H
I
J
K
L

LAN

AFS BRANCH LINE CIRCUIT

< DTC/CIRCUIT DIAGNOSIS >

[CAN SYSTEM (TYPE 8)]

AFS BRANCH LINE CIRCUIT

Diagnosis Procedure

INFOID:000000006888977

1. CHECK CONNECTOR

1. Turn the ignition switch OFF.
2. Disconnect the battery cable from the negative terminal.
3. Check the terminals and connectors of the AFS control unit for damage, bend and loose connection (unit side and connector side).

Is the inspection result normal?

- YES >> GO TO 2.
NO >> Repair the terminal and connector.

2. CHECK HARNESS FOR OPEN CIRCUIT

1. Disconnect the connector of AFS control unit.
2. Check the resistance between the AFS control unit harness connector terminals.

AFS control unit harness connector			Resistance (Ω)
Connector No.	Terminal No.		
E104	30	7	Approx. 54 – 66

Is the measurement value within the specification?

- YES >> GO TO 3.
NO >> Repair the AFS control unit branch line.

3. CHECK POWER SUPPLY AND GROUND CIRCUIT

Check the power supply and the ground circuit of the AFS control unit. Refer to [EXL-72, "AFS CONTROL UNIT : Diagnosis Procedure"](#).

Is the inspection result normal?

- YES (Present error)>>Replace the AFS control unit. Refer to [EXL-114, "Removal and Installation"](#).
YES (Past error)>>Error was detected in the AFS control unit branch line.
NO >> Repair the power supply and the ground circuit.

IPDM-E BRANCH LINE CIRCUIT

< DTC/CIRCUIT DIAGNOSIS >

[CAN SYSTEM (TYPE 8)]

IPDM-E BRANCH LINE CIRCUIT

Diagnosis Procedure

INFOID:000000006888978

1. CHECK CONNECTOR

1. Turn the ignition switch OFF.
2. Disconnect the battery cable from the negative terminal.
3. Check the terminals and connectors of the IPDM E/R for damage, bend and loose connection (unit side and connector side).

Is the inspection result normal?

- YES >> GO TO 2.
NO >> Repair the terminal and connector.

2. CHECK HARNESS FOR OPEN CIRCUIT

1. Disconnect the connector of IPDM E/R.
2. Check the resistance between the IPDM E/R harness connector terminals.

IPDM E/R harness connector			Resistance (Ω)
Connector No.	Terminal No.		
E6	40	39	Approx. 108 – 132

Is the measurement value within the specification?

- YES >> GO TO 3.
NO >> Repair the IPDM E/R branch line.

3. CHECK POWER SUPPLY AND GROUND CIRCUIT

Check the power supply and the ground circuit of the IPDM E/R. Refer to [PCS-32, "Diagnosis Procedure"](#).

Is the inspection result normal?

- YES (Present error)>>Replace the IPDM E/R. Refer to [PCS-33, "Removal and Installation"](#).
YES (Past error)>>Error was detected in the IPDM E/R branch line.
NO >> Repair the power supply and the ground circuit.

A
B
C
D
E
F
G
H
I
J
K
L

LAN

N
O
P

ADP BRANCH LINE CIRCUIT

< DTC/CIRCUIT DIAGNOSIS >

[CAN SYSTEM (TYPE 8)]

ADP BRANCH LINE CIRCUIT

Diagnosis Procedure

INFOID:000000007205667

1. CHECK CONNECTOR

1. Turn the ignition switch OFF.
2. Disconnect the battery cable from the negative terminal.
3. Check the following terminals and connectors for damage, bend and loose connection (unit side and connector side).
 - Driver seat control unit
 - Harness connector B501
 - Harness connector B11
 - CAN gateway (With ICC system)

Is the inspection result normal?

YES (With ICC system)>>GO TO 2.

YES (Without ICC system)>>GO TO 3.

NO >> Repair the terminal and connector.

2. CHECK HARNESS CONTINUITY (OPEN CIRCUIT)

1. Disconnect the connector of CAN gateway.
2. Check the continuity between the CAN gateway harness connector terminals.

CAN gateway harness connector			Continuity
Connector No.	Terminal No.		
M125	4	6	Existed
	10	12	Existed

Is the inspection result normal?

YES >> GO TO 3.

NO >> Check the harness and repair or replace (if shield line is open) the root cause (CAN communication circuit 2 side). Refer to [LAN-47, "System Diagram"](#).

3. CHECK HARNESS FOR OPEN CIRCUIT

1. Connect the connector of CAN gateway. (With ICC system)
2. Disconnect the connector of driver seat control unit.
3. Check the resistance between the driver seat control unit harness connector terminals.

Driver seat control unit harness connector			Resistance (Ω)
Connector No.	Terminal No.		
B514	23	24	Approx. 54 – 66

Is the measurement value within the specification?

YES >> GO TO 4.

NO >> Repair the driver seat control unit branch line.

4. CHECK POWER SUPPLY AND GROUND CIRCUIT

Check the power supply and the ground circuit of the driver seat control unit. Refer to [ADP-61, "DRIVER SEAT CONTROL UNIT : Diagnosis Procedure"](#).

Is the inspection result normal?

YES (Present error)>>Replace the driver seat control unit. Refer to [ADP-134, "Removal and Installation"](#).

YES (Past error)>>Error was detected in the driver seat control unit branch line.

NO >> Repair the power supply and the ground circuit.

ICC BRANCH LINE CIRCUIT

Diagnosis Procedure

INFOID:000000007205668

1. CHECK CONNECTOR

1. Turn the ignition switch OFF.
2. Disconnect the battery cable from the negative terminal.
3. Check the following terminals and connectors for damage, bend and loose connection (unit side and connector side).
 - ADAS control unit
 - CAN gateway

Is the inspection result normal?

- YES >> GO TO 2.
 NO >> Repair the terminal and connector.

2. CHECK HARNESS CONTINUITY (OPEN CIRCUIT)

1. Disconnect the connector of CAN gateway.
2. Check the continuity between the CAN gateway harness connector terminals.

CAN gateway harness connector		Continuity
Connector No.	Terminal No.	
M125	4	6
	10	12
		Existed
		Existed

Is the inspection result normal?

- YES >> GO TO 3.
 NO >> Check the harness and repair or replace (if shield line is open) the root cause (CAN communication circuit 2 side). Refer to [LAN-47, "System Diagram"](#).

3. CHECK HARNESS FOR OPEN CIRCUIT

1. Connect the connector of CAN gateway.
2. Disconnect the connector of ADAS control unit.
3. Check the resistance between the ADAS control unit harness connector terminals.

ADAS control unit harness connector		Resistance (Ω)
Connector No.	Terminal No.	
B50	14	15
		Approx. 54 – 66

Is the measurement value within the specification?

- YES >> GO TO 4.
 NO >> Replace the body harness.

4. CHECK POWER SUPPLY AND GROUND CIRCUIT

Check the power supply and the ground circuit of the ADAS control unit. Refer to [DAS-54, "Diagnosis Procedure"](#).

Is the inspection result normal?

- YES (Present error)>>Replace the ADAS control unit. Refer to [DAS-55, "Removal and Installation"](#).
 YES (Past error)>>Error was detected in the ADAS control unit branch line.
 NO >> Repair the power supply and the ground circuit.

LAN

PSB BRANCH LINE CIRCUIT

Diagnosis Procedure

INFOID:000000007205669

1. CHECK CONNECTOR

1. Turn the ignition switch OFF.
2. Disconnect the battery cable from the negative terminal.
3. Check the following terminals and connectors for damage, bend and loose connection (unit side and connector side).
 - Pre-crash seat belt control unit (driver side)
 - CAN gateway

Is the inspection result normal?

- YES >> GO TO 2.
 NO >> Repair the terminal and connector.

2. CHECK HARNESS CONTINUITY (OPEN CIRCUIT)

1. Disconnect the connector of CAN gateway.
2. Check the continuity between the CAN gateway harness connector terminals.

CAN gateway harness connector			Continuity
Connector No.	Terminal No.		
M125	4	6	Existed
	10	12	Existed

Is the inspection result normal?

- YES >> GO TO 3.
 NO >> Check the harness and repair or replace (if shield line is open) the root cause (CAN communication circuit 2 side). Refer to [LAN-47, "System Diagram"](#).

3. CHECK HARNESS FOR OPEN CIRCUIT

1. Connect the connector of CAN gateway.
2. Disconnect the connector of pre-crash seat belt control unit (driver side).
3. Check the resistance between the pre-crash seat belt control unit (driver side) harness connector terminals.

Pre-crash seat belt control unit (driver side) harness connector			Resistance (Ω)
Connector No.	Terminal No.		
B9	14	4	Approx. 54 – 66

Is the measurement value within the specification?

- YES >> GO TO 4.
 NO >> Repair the pre-crash seat belt control unit (driver side) branch line.

4. CHECK POWER SUPPLY AND GROUND CIRCUIT

Check the power supply and the ground circuit of the pre-crash seat belt control unit (driver side). Refer to [SBC-46, "Diagnosis Procedure"](#).

Is the inspection result normal?

- YES (Present error)>>Replace the seat belt pre-tensioner retractor (driver side). Refer to [SB-7, "SEAT BELT RETRACTOR : Removal and Installation"](#).
 YES (Past error)>>Error was detected in the pre-crash seat belt control unit (driver side) branch line.
 NO >> Repair the power supply and the ground circuit.

RDR-L BRANCH LINE CIRCUIT

< DTC/CIRCUIT DIAGNOSIS >

[CAN SYSTEM (TYPE 8)]

RDR-L BRANCH LINE CIRCUIT

Diagnosis Procedure

INFOID:000000006888982

1. CHECK CONNECTOR

1. Turn the ignition switch OFF.
2. Disconnect the battery cable from the negative terminal.
3. Check the terminals and connectors of the side radar LH for damage, bend and loose connection (unit side and connector side).

Is the inspection result normal?

- YES >> GO TO 2.
NO >> Repair the terminal and connector.

2. CHECK HARNESS FOR OPEN CIRCUIT

1. Disconnect the connector of side radar LH.
2. Check the resistance between the side radar LH harness connector terminals.

Side radar LH harness connector			Resistance (Ω)
Connector No.	Terminal No.		
B52	4	3	Approx. 54 – 66

Is the measurement value within the specification?

- YES >> GO TO 3.
NO >> Repair the side radar LH branch line.

3. CHECK POWER SUPPLY AND GROUND CIRCUIT

Check the power supply and the ground circuit of the side radar LH. Refer to [DAS-511, "SIDE RADAR LH: Diagnosis Procedure"](#).

Is the inspection result normal?

- YES (Present error)>>Replace the side radar LH. Refer to [DAS-528, "Removal and Installation"](#).
YES (Past error)>>Error was detected in the side radar LH branch line.
NO >> Repair the power supply and the ground circuit.

A
B
C
D
E
F
G
H
I
J
K
L

LAN

N
O
P

RDR-R BRANCH LINE CIRCUIT

< DTC/CIRCUIT DIAGNOSIS >

[CAN SYSTEM (TYPE 8)]

RDR-R BRANCH LINE CIRCUIT

Diagnosis Procedure

INFOID:000000006888983

1. CHECK CONNECTOR

1. Turn the ignition switch OFF.
2. Disconnect the battery cable from the negative terminal.
3. Check the terminals and connectors of the side radar RH for damage, bend and loose connection (unit side and connector side).

Is the inspection result normal?

- YES >> GO TO 2.
NO >> Repair the terminal and connector.

2. CHECK RIGHT/LEFT SWITCHING SIGNAL CIRCUIT

Check the right/left switching signal circuit of the side radar RH. Refer to [DAS-514. "Diagnosis Procedure"](#).

Is the inspection result normal?

- YES >> GO TO 3.
NO >> Repair the root cause.

3. CHECK HARNESS FOR OPEN CIRCUIT

1. Disconnect the connector of side radar RH.
2. Check the resistance between the side radar RH harness connector terminals.

Side radar RH harness connector			Resistance (Ω)
Connector No.	Terminal No.		
B252	4	3	Approx. 54 – 66

Is the measurement value within the specification?

- YES >> GO TO 4.
NO >> Repair the side radar RH branch line.

4. CHECK POWER SUPPLY AND GROUND CIRCUIT

Check the power supply and the ground circuit of the side radar RH. Refer to [DAS-512. "SIDE RADAR RH : Diagnosis Procedure"](#).

Is the inspection result normal?

- YES (Present error)>>Replace the side radar RH. Refer to [DAS-528. "Removal and Installation"](#).
YES (Past error)>>Error was detected in the side radar RH branch line.
NO >> Repair the power supply and the ground circuit.

APA BRANCH LINE CIRCUIT

< DTC/CIRCUIT DIAGNOSIS >

[CAN SYSTEM (TYPE 8)]

APA BRANCH LINE CIRCUIT

Diagnosis Procedure

INFOID:000000006888984

1. CHECK CONNECTOR

1. Turn the ignition switch OFF.
2. Disconnect the battery cable from the negative terminal.
3. Check the following terminals and connectors for damage, bend and loose connection (unit side and connector side).
 - Accelerator pedal actuator
 - Harness connector M151
 - Harness connector M150
 - Harness connector M23 and PCB harness side connector

Is the inspection result normal?

YES >> GO TO 2.

NO >> Repair the terminal and connector.

2. CHECK HARNESS FOR OPEN CIRCUIT

1. Disconnect the connector of accelerator pedal actuator.
2. Check the resistance between the accelerator pedal actuator harness connector terminals.

Accelerator pedal actuator harness connector			Resistance (Ω)
Connector No.	Terminal No.		
M152	5	4	Approx. 54 – 66

Is the measurement value within the specification?

YES >> GO TO 3.

NO >> GO TO 4.

3. CHECK POWER SUPPLY AND GROUND CIRCUIT

Check the power supply and the ground circuit of the accelerator pedal actuator. Refer to [DAS-178, "ACCELERATOR PEDAL ACTUATOR : Diagnosis Procedure"](#).

Is the inspection result normal?

YES (Present error)>>Replace the accelerator pedal assembly. Refer to [ACC-4, "MODELS WITH DISTANCE CONTROL ASSIST SYSTEM : Removal and Installation"](#).

YES (Past error)>>Error was detected in the accelerator pedal actuator branch line.

NO >> Repair the power supply and the ground circuit.

4. CHECK HARNESS CONTINUITY (OPEN CIRCUIT)

1. Disconnect the harness connector M23.
2. Check the continuity between the accelerator pedal actuator harness connector and the harness connector.

Accelerator pedal actuator harness connector		Harness connector		Continuity
Connector No.	Terminal No.	Connector No.	Terminal No.	
M152	5	M23	138	Existed
	4		137	Existed

Is the inspection result normal?

YES >> Replace the PCB harness.

NO >> Repair the harness between the accelerator pedal actuator harness connector M152 and the harness connector M23.

LANE BRANCH LINE CIRCUIT

< DTC/CIRCUIT DIAGNOSIS >

[CAN SYSTEM (TYPE 8)]

LANE BRANCH LINE CIRCUIT

Diagnosis Procedure

INFOID:000000006888985

1. CHECK CONNECTOR

1. Turn the ignition switch OFF.
2. Disconnect the battery cable from the negative terminal.
3. Check the following terminals and connectors for damage, bend and loose connection (unit side and connector side).
 - Lane camera unit
 - Harness connector R7
 - Harness connector M110
 - Harness connector M24 and PCB harness side connector

Is the inspection result normal?

YES >> GO TO 2.

NO >> Repair the terminal and connector.

2. CHECK HARNESS FOR OPEN CIRCUIT

1. Disconnect the connector of lane camera unit.
2. Check the resistance between the lane camera unit harness connector terminals.

Lane camera unit harness connector			Resistance (Ω)
Connector No.	Terminal No.		
R8	4	8	Approx. 54 – 66

Is the measurement value within the specification?

YES >> GO TO 3.

NO >> GO TO 4.

3. CHECK POWER SUPPLY AND GROUND CIRCUIT

Check the power supply and the ground circuit of the lane camera unit. Refer to [DAS-355, "LANE CAMERA UNIT : Diagnosis Procedure"](#).

Is the inspection result normal?

YES (Present error)>>Replace the lane camera unit. Refer to [DAS-371, "Removal and Installation"](#).

YES (Past error)>>Error was detected in the lane camera unit branch line.

NO >> Repair the power supply and the ground circuit.

4. CHECK HARNESS CONTINUITY (OPEN CIRCUIT)

1. Disconnect the harness connector M24.
2. Check the continuity between the lane camera unit harness connector and the harness connector.

Lane camera unit harness connector		Harness connector		Continuity
Connector No.	Terminal No.	Connector No.	Terminal No.	
R8	4	M24	179	Existed
	8		178	Existed

Is the inspection result normal?

YES >> Replace the PCB harness.

NO >> Repair the harness between the lane camera unit harness connector R8 and the harness connector M24.

LASER BRANCH LINE CIRCUIT

< DTC/CIRCUIT DIAGNOSIS >

[CAN SYSTEM (TYPE 8)]

LASER BRANCH LINE CIRCUIT

Diagnosis Procedure

INFOID:000000006888986

1. CHECK CONNECTOR

1. Turn the ignition switch OFF.
2. Disconnect the battery cable from the negative terminal.
3. Check the following terminals and connectors for damage, bend and loose connection (unit side and connector side).
 - ICC sensor
 - Harness connector E106
 - Harness connector M6
 - Harness connector M28 and PCB harness side connector

Is the inspection result normal?

YES >> GO TO 2.

NO >> Repair the terminal and connector.

2. CHECK HARNESS FOR OPEN CIRCUIT

1. Disconnect the connector of ICC sensor.
2. Check the resistance between the ICC sensor harness connector terminals.

ICC sensor harness connector			Resistance (Ω)
Connector No.	Terminal No.		
E67	3	6	Approx. 108 – 132

Is the measurement value within the specification?

YES >> GO TO 3.

NO >> GO TO 4.

3. CHECK POWER SUPPLY AND GROUND CIRCUIT

Check the power supply and the ground circuit of the ICC sensor. Refer to [CCS-152, "ICC SENSOR : Diagnosis Procedure"](#).

Is the inspection result normal?

YES (Present error)>>Replace the ICC sensor. Refer to [CCS-170, "Removal and Installation"](#).

YES (Past error)>>Error was detected in the ICC sensor branch line.

NO >> Repair the power supply and the ground circuit.

4. CHECK HARNESS CONTINUITY (OPEN CIRCUIT)

1. Disconnect the harness connector M28.
2. Check the continuity between the ICC sensor harness connector and the harness connector.

ICC sensor harness connector		Harness connector		Continuity
Connector No.	Terminal No.	Connector No.	Terminal No.	
E67	3	M28	343	Existed
	6		345	Existed

Is the inspection result normal?

YES >> Replace the PCB harness.

NO >> Repair the harness between the ICC sensor harness connector E67 and the harness connector M28.

A
B
C
D
E
F
G
H
I
J
K
L
N
O
P

LAN

CAN COMMUNICATION CIRCUIT 1

< DTC/CIRCUIT DIAGNOSIS >

[CAN SYSTEM (TYPE 8)]

CAN COMMUNICATION CIRCUIT 1

Diagnosis Procedure

INFOID:000000006888987

1. CONNECTOR INSPECTION

1. Turn the ignition switch OFF.
2. Disconnect the battery cable from the negative terminal.
3. Disconnect all the unit connectors on CAN communication circuit 1.

NOTE:

For identification of CAN communication circuit 1, CAN communication circuit 2, and ITS communication circuit, refer to [LAN-47. "System Diagram"](#).

4. Check terminals and connectors for damage, bend and loose connection.

Is the inspection result normal?

YES >> GO TO 2.

NO >> Repair the terminal and connector.

2. CHECK HARNESS CONTINUITY (SHORT CIRCUIT)

Check the continuity between the data link connector terminals.

Data link connector		Continuity
Connector No.	Terminal No.	
M182	6 14	Not existed

Is the inspection result normal?

YES >> GO TO 3.

NO >> Check the harness and repair or replace (if shield line or PCB harness is short) the root cause.

3. CHECK HARNESS CONTINUITY (SHORT CIRCUIT)

Check the continuity between the data link connector and the ground.

Data link connector		Ground	Continuity
Connector No.	Terminal No.		
M182	6		Not existed
	14		Not existed

Is the inspection result normal?

YES >> GO TO 4.

NO >> Check the harness and repair or replace (if shield line or PCB harness is short) the root cause.

4. CHECK ECM AND IPDM E/R TERMINATION CIRCUIT

1. Remove the ECM and the IPDM E/R.
2. Check the resistance between the ECM terminals.
 - VQ37VHR

ECM		Resistance (Ω)
Terminal No.		
114	113	Approx. 108 – 132

- VK56VD

ECM		Resistance (Ω)
Terminal No.		
146	151	Approx. 108 – 132

3. Check the resistance between the IPDM E/R terminals.

CAN COMMUNICATION CIRCUIT 1

< DTC/CIRCUIT DIAGNOSIS >

[CAN SYSTEM (TYPE 8)]

IPDM E/R		Resistance (Ω)
Terminal No.		
40	39	Approx. 108 – 132

Is the measurement value within the specification?

YES >> GO TO 5.

NO >> Replace the ECM and/or the IPDM E/R.

5.CHECK SYMPTOM

Connect all the connectors. Check if the symptoms described in the “Symptom (Results from interview with customer)” are reproduced.

Inspection result

Reproduced>>GO TO 6.

Non-reproduced>>Start the diagnosis again. Follow the trouble diagnosis procedure when past error is detected.

6.CHECK UNIT REPRODUCTION

Perform the reproduction test as per the following procedure for each unit.

1. Turn the ignition switch OFF.
2. Disconnect the battery cable from the negative terminal.
3. Disconnect one of the unit connectors of CAN communication circuit 1.

NOTE:

ECM and IPDM E/R have a termination circuit. Check other units first.

4. Connect the battery cable to the negative terminal. Check if the symptoms described in the “Symptom (Results from interview with customer)” are reproduced.

NOTE:

Although unit-related error symptoms occur, do not confuse them with other symptoms.

Inspection result

Reproduced>>Connect the connector. Check other units as per the above procedure.

Non-reproduced>>Replace the unit whose connector was disconnected.

A
B
C
D
E
F
G
H
I
J
K
L

LAN

N
O
P

CAN COMMUNICATION CIRCUIT 2

< DTC/CIRCUIT DIAGNOSIS >

[CAN SYSTEM (TYPE 8)]

CAN COMMUNICATION CIRCUIT 2

Diagnosis Procedure

INFOID:000000006888988

1. CONNECTOR INSPECTION

1. Turn the ignition switch OFF.
2. Disconnect the battery cable from the negative terminal.
3. Disconnect all the unit connectors on CAN communication circuit 2.

NOTE:

For identification of CAN communication circuit 1, CAN communication circuit 2, and ITS communication circuit, refer to [LAN-47. "System Diagram"](#).

4. Check terminals and connectors for damage, bend and loose connection.

Is the inspection result normal?

YES >> GO TO 2.

NO >> Repair the terminal and connector.

2. CHECK HARNESS CONTINUITY (SHORT CIRCUIT)

Check the continuity between the data link connector terminals.

Data link connector		Continuity
Connector No.	Terminal No.	
M182	13	Not existed
	12	

Is the inspection result normal?

YES >> GO TO 3.

NO >> Check the harness and repair or replace (if shield line or PCB harness is short) the root cause.

3. CHECK HARNESS CONTINUITY (SHORT CIRCUIT)

Check the continuity between the data link connector and the ground.

Data link connector		Ground	Continuity
Connector No.	Terminal No.		
M182	13		Not existed
	12		Not existed

Is the inspection result normal?

YES >> GO TO 4.

NO >> Check the harness and repair or replace (if shield line or PCB harness is short) the root cause.

4. CHECK CAN GATEWAY TERMINATION CIRCUIT

1. Remove the CAN gateway.
2. Check the resistance between the CAN gateway terminals.

CAN gateway		Resistance (Ω)
Terminal No.		
4	10	Approx. 108 – 132
6	12	Approx. 108 – 132

Is the measurement value within the specification?

YES >> GO TO 5.

NO >> Replace the CAN gateway.

5. CHECK SYMPTOM

Connect all the connectors. Check if the symptoms described in the "Symptom (Results from interview with customer)" are reproduced.

Inspection result

Reproduced >> GO TO 6.

CAN COMMUNICATION CIRCUIT 2

< DTC/CIRCUIT DIAGNOSIS >

[CAN SYSTEM (TYPE 8)]

Non-reproduced>>Start the diagnosis again. Follow the trouble diagnosis procedure when past error is detected.

6.CHECK UNIT REPRODUCTION

Perform the reproduction test as per the following procedure for each unit.

1. Turn the ignition switch OFF.
2. Disconnect the battery cable from the negative terminal.
3. Disconnect one of the unit connectors of CAN communication circuit 2.

NOTE:

CAN gateway has two termination circuits. Check other units first.

4. Connect the battery cable to the negative terminal. Check if the symptoms described in the "Symptom (Results from interview with customer)" are reproduced.

NOTE:

Although unit-related error symptoms occur, do not confuse them with other symptoms.

Inspection result

Reproduced>>Connect the connector. Check other units as per the above procedure.

Non-reproduced>>Replace the unit whose connector was disconnected.

A
B
C
D
E
F
G
H
I
J
K
L

LAN

N
O
P

ITS COMMUNICATION CIRCUIT

< DTC/CIRCUIT DIAGNOSIS >

[CAN SYSTEM (TYPE 8)]

ITS COMMUNICATION CIRCUIT

Diagnosis Procedure

INFOID:000000007205677

1. CHECK CAN DIAGNOSIS

Check the CAN diagnosis results from CONSULT to see that the CAN communication circuit 1 and CAN communication circuit 2 have no malfunction.

NOTE:

For identification of CAN communication circuit 1, CAN communication circuit 2, and ITS communication circuit, refer to [LAN-47. "System Diagram"](#).

Are the CAN communication 1 and CAN communication 2 circuits normal?

YES >> GO TO 2.

NO >> Check and repair CAN communication circuit 1 and/or CAN communication circuit 2.

2. CONNECTOR INSPECTION

1. Turn the ignition switch OFF.
2. Disconnect the battery cable from the negative terminal.
3. Check the terminals and connectors of the ADAS control unit for damage, bend and loose connection (unit side and connector side).

Is the inspection result normal?

YES >> GO TO 3.

NO >> Repair the terminal and connector.

3. CHECK HARNESS CONTINUITY (OPEN CIRCUIT)

1. Disconnect the following harness connectors.
 - ADAS control unit
 - ICC sensor
2. Check the continuity between the ADAS control unit harness connector and the ICC sensor harness connector.

ADAS control unit harness connector		ICC sensor harness connector		Continuity
Connector No.	Terminal No.	Connector No.	Terminal No.	
B50	7	E67	3	Existed
	8		6	Existed

Is the inspection result normal?

YES >> GO TO 4.

NO >> Replace the body harness.

4. CHECK HARNESS CONTINUITY (SHORT CIRCUIT)

1. Disconnect the following harness connectors.
 - Side radar LH
 - Side radar RH
 - Accelerator pedal actuator
 - Lane camera unit
2. Check the continuity between the ADAS control unit harness connector terminals.

ADAS control unit harness connector			Continuity
Connector No.	Terminal No.		
B50	7	8	Not existed

Is the inspection result normal?

YES >> GO TO 5.

NO >> Check the harness and repair or replace (if shield line or PCB harness is short) the root cause.

5. CHECK HARNESS CONTINUITY (SHORT CIRCUIT)

Check the continuity between the ADAS control unit harness connector and the ground.

ITS COMMUNICATION CIRCUIT

< DTC/CIRCUIT DIAGNOSIS >

[CAN SYSTEM (TYPE 8)]

ADAS control unit harness connector		Ground	Continuity
Connector No.	Terminal No.		
B50	7		
	8		Not existed

A
B

Is the inspection result normal?

YES >> GO TO 6.

NO >> Check the harness and repair or replace (if shield line or PCB harness is short) the root cause.

C

6.CHECK TERMINATION CIRCUIT

1. Remove the ADAS control unit and the ICC sensor.
2. Check the resistance between the ADAS control unit terminals.

D

ADAS control unit		Resistance (Ω)
Terminal No.		
7	8	Approx. 108 – 132

E
F

3. Check the resistance between the ICC sensor terminals.

ICC sensor		Resistance (Ω)
Terminal No.		
3	6	Approx. 108 – 132

G
H

Is the inspection result normal?

YES >> GO TO 7.

NO >> Replace the ADAS control unit and/or the ICC sensor.

I

7.CHECK SYMPTOM

Connect all the connectors. Check if the symptoms described in the “Symptom (Results from interview with customer)” are reproduced.

J

Inspection result

Reproduced>>GO TO 8.

Non-reproduced>>Start the diagnosis again. Follow the trouble diagnosis procedure when past error is detected.

K

8.CHECK UNIT REPRODUCTION

Perform the reproduction test as per the following procedure for each unit.

L

1. Turn the ignition switch OFF.
2. Disconnect the battery cable from the negative terminal.
3. Disconnect one of the unit connectors of ITS communication system.

NOTE:

ADAS control unit and ICC sensor have a termination circuit. Check other units first.

4. Connect the battery cable to the negative terminal. Check if the symptoms described in the “Symptom (Results from interview with customer)” are reproduced.

N

NOTE:

Although unit-related error symptoms occur, do not confuse them with other symptoms.

O

Inspection result

Reproduced>>Connect the connector. Check other units as per the above procedure.

Non-reproduced>>Replace the unit whose connector was disconnected.

P

LAN

MAIN LINE BETWEEN TPMS AND HVAC CIRCUIT

< DTC/CIRCUIT DIAGNOSIS >

[CAN SYSTEM (TYPE 9)]

DTC/CIRCUIT DIAGNOSIS

MAIN LINE BETWEEN TPMS AND HVAC CIRCUIT

Diagnosis Procedure

INFOID:000000006888990

1. CHECK HARNESS CONTINUITY (OPEN CIRCUIT)

1. Turn the ignition switch OFF.
2. Disconnect the battery cable from the negative terminal.
3. Disconnect the following harness connectors.
 - ECM
 - Low tire pressure warning control unit
 - A/C auto amp.
4. Check the continuity between the low tire pressure warning control unit harness connector and the A/C auto amp. harness connector.

Low tire pressure warning control unit harness connector		A/C auto amp. harness connector		Continuity
Connector No.	Terminal No.	Connector No.	Terminal No.	
M43	2	M66	12	Existed
	1		11	Existed

Is the inspection result normal?

YES (Present error)>>Check CAN system type decision again.

YES (Past error)>>Error was detected in the main line between the low tire pressure warning control unit and the A/C auto amp.

NO >> Replace the PCB harness.

MAIN LINE BETWEEN HVAC AND A-BAG CIRCUIT

< DTC/CIRCUIT DIAGNOSIS >

[CAN SYSTEM (TYPE 9)]

MAIN LINE BETWEEN HVAC AND A-BAG CIRCUIT

Diagnosis Procedure

INFOID:000000006888991

1. CHECK HARNESS CONTINUITY (OPEN CIRCUIT)

1. Turn the ignition switch OFF.
2. Disconnect the battery cable from the negative terminal.
3. Disconnect the following harness connectors.
 - ECM
 - A/C auto amp.
 - AV control unit
4. Check the continuity between the A/C auto amp. harness connector and the AV control unit harness connector.
 - Models with navigation system

A/C auto amp. harness connector		AV control unit harness connector		Continuity
Connector No.	Terminal No.	Connector No.	Terminal No.	
M66	12	M210	90	Existed
	11		74	Existed

- Models without navigation system

A/C auto amp. harness connector		AV control unit harness connector		Continuity
Connector No.	Terminal No.	Connector No.	Terminal No.	
M66	12	M84	81	Existed
	11		80	Existed

Is the inspection result normal?

YES (Present error)>>Check CAN system type decision again.

YES (Past error)>>Error was detected in the main line between the A/C auto amp. and the air bag diagnosis sensor unit.

NO >> Replace the PCB harness.

A
B
C
D
E
F
G
H
I
J
K
L

LAN

N
O
P

MAIN LINE BETWEEN A-BAG AND AV CIRCUIT

< DTC/CIRCUIT DIAGNOSIS >

[CAN SYSTEM (TYPE 9)]

MAIN LINE BETWEEN A-BAG AND AV CIRCUIT

Diagnosis Procedure

INFOID:000000006888992

1. CHECK HARNESS CONTINUITY (OPEN CIRCUIT)

1. Turn the ignition switch OFF.
2. Disconnect the battery cable from the negative terminal.
3. Disconnect the following harness connectors.
 - ECM
 - A/C auto amp.
 - AV control unit
4. Check the continuity between the A/C auto amp. harness connector and the AV control unit harness connector.
 - Models with navigation system

A/C auto amp. harness connector		AV control unit harness connector		Continuity
Connector No.	Terminal No.	Connector No.	Terminal No.	
M66	12	M210	90	Existed
	11		74	Existed

- Models without navigation system

A/C auto amp. harness connector		AV control unit harness connector		Continuity
Connector No.	Terminal No.	Connector No.	Terminal No.	
M66	12	M84	81	Existed
	11		80	Existed

Is the inspection result normal?

YES (Present error)>>Check CAN system type decision again.

YES (Past error)>>Error was detected in the main line between the air bag diagnosis sensor unit and the AV control unit.

NO >> Replace the PCB harness.

MAIN LINE BETWEEN AV AND M&A CIRCUIT

< DTC/CIRCUIT DIAGNOSIS >

[CAN SYSTEM (TYPE 9)]

MAIN LINE BETWEEN AV AND M&A CIRCUIT

Diagnosis Procedure

INFOID:000000006888993

1. CHECK HARNESS CONTINUITY (OPEN CIRCUIT)

1. Turn the ignition switch OFF.
2. Disconnect the battery cable from the negative terminal.
3. Disconnect the following harness connectors.
 - ECM
 - AV control unit
 - Combination meter
4. Check the continuity between the AV control unit harness connector and the combination meter harness connector.
 - Models with navigation system

AV control unit harness connector		Combination meter harness connector		Continuity
Connector No.	Terminal No.	Connector No.	Terminal No.	
M210	90	M53	14	Existed
	74		15	Existed

- Models without navigation system

AV control unit harness connector		Combination meter harness connector		Continuity
Connector No.	Terminal No.	Connector No.	Terminal No.	
M84	81	M53	14	Existed
	80		15	Existed

Is the inspection result normal?

YES (Present error)>>Check CAN system type decision again.

YES (Past error)>>Error was detected in the main line between the AV control unit and the combination meter.

NO >> Replace the PCB harness.

A
B
C
D
E
F
G
H
I
J
K
L

LAN

N
O
P

MAIN LINE BETWEEN M&A AND DLC CIRCUIT

< DTC/CIRCUIT DIAGNOSIS >

[CAN SYSTEM (TYPE 9)]

MAIN LINE BETWEEN M&A AND DLC CIRCUIT

Diagnosis Procedure

INFOID:000000006888994

1. CHECK HARNESS CONTINUITY (OPEN CIRCUIT)

1. Turn the ignition switch OFF.
2. Disconnect the battery cable from the negative terminal.
3. Disconnect the following harness connectors.
 - ECM
 - Combination meter
 - Harness connectors M105 and M181
4. Check the continuity between the combination meter harness connector and the harness connector.

Combination meter harness connector		Harness connector		Continuity
Connector No.	Terminal No.	Connector No.	Terminal No.	
M53	14	M105	7	Existed
	15		8	Existed

Is the inspection result normal?

YES (Present error)>>Check CAN system type decision again.

YES (Past error)>>Error was detected in the main line between the combination meter and the data link connector.

NO >> Replace the PCB harness.

MAIN LINE BETWEEN DLC AND BCM CIRCUIT

< DTC/CIRCUIT DIAGNOSIS >

[CAN SYSTEM (TYPE 9)]

MAIN LINE BETWEEN DLC AND BCM CIRCUIT

Diagnosis Procedure

INFOID:000000006888995

1. CHECK HARNESS CONTINUITY (OPEN CIRCUIT)

1. Turn the ignition switch OFF.
2. Disconnect the battery cable from the negative terminal.
3. Disconnect the following harness connectors.
 - ECM
 - Harness connectors M181 and M105
 - BCM
4. Check the continuity between the harness connector and the BCM harness connector.

Harness connector		BCM harness connector		Continuity
Connector No.	Terminal No.	Connector No.	Terminal No.	
M105	7	M120	39	Existed
	8		40	Existed

Is the inspection result normal?

YES (Present error)>>Check CAN system type decision again.

YES (Past error)>>Error was detected in the main line between the data link connector and the BCM.

NO >> Replace the PCB harness.

A
B
C
D
E
F
G
H
I
J
K
L

LAN

N
O
P

MAIN LINE BETWEEN BCM AND 4WD CIRCUIT

< DTC/CIRCUIT DIAGNOSIS >

[CAN SYSTEM (TYPE 9)]

MAIN LINE BETWEEN BCM AND 4WD CIRCUIT

Diagnosis Procedure

INFOID:000000006888996

1. CHECK CONNECTOR

1. Turn the ignition switch OFF.
2. Disconnect the battery cable from the negative terminal.
3. Check the following terminals and connectors for damage, bend and loose connection (connector side and harness side).
 - Harness connector M20 and PCB harness side connector
 - Harness connector M7
 - Harness connector B1

Is the inspection result normal?

YES >> GO TO 2.

NO >> Repair the terminal and connector.

2. CHECK HARNESS CONTINUITY (OPEN CIRCUIT)

1. Disconnect the following harness connectors.
 - BCM
 - Harness connector M20
2. Check the continuity between the BCM harness connector and the PCB harness connector.

BCM harness connector		PCB harness connector		Continuity
Connector No.	Terminal No.	Terminal No.		
M120	39	35		Existed
	40	36		Existed

Is the inspection result normal?

YES >> GO TO 3.

NO >> Replace the PCB harness.

3. CHECK HARNESS CONTINUITY (OPEN CIRCUIT)

1. Disconnect the harness connectors M7 and B1.
2. Check the continuity between the harness connectors.

Harness connector		Harness connector		Continuity
Connector No.	Terminal No.	Connector No.	Terminal No.	
M20	35	M7	72	Existed
	36		73	Existed

Is the inspection result normal?

YES >> GO TO 4.

NO >> Repair the main line between the harness connectors M20 and M7.

4. CHECK HARNESS CONTINUITY (OPEN CIRCUIT)

Check the continuity between the harness connector terminals.

Connector No.	Terminal No.		Continuity
B1	72	74	Existed
	73	75	Existed

Is the inspection result normal?

YES (Present error)>>Check CAN system type decision again.

YES (Past error)>>Error was detected in the main line between the BCM and the AWD control unit.

NO >> Replace the body harness.

MAIN LINE BETWEEN 4WD AND ABS CIRCUIT

< DTC/CIRCUIT DIAGNOSIS >

[CAN SYSTEM (TYPE 9)]

MAIN LINE BETWEEN 4WD AND ABS CIRCUIT

Diagnosis Procedure

INFOID:000000006888997

1. CHECK CONNECTOR

1. Turn the ignition switch OFF.
2. Disconnect the battery cable from the negative terminal.
3. Check the following terminals and connectors for damage, bend and loose connection (connector side and harness side).
 - Harness connector B1
 - Harness connector M7
 - Harness connector M6
 - Harness connector E106

Is the inspection result normal?

YES >> GO TO 2.

NO >> Repair the terminal and connector.

2. CHECK HARNESS CONTINUITY (OPEN CIRCUIT)

1. Disconnect the harness connectors B1 and M7.
2. Check the continuity between the harness connector terminals.

Connector No.	Terminal No.		Continuity
B1	72	74	Existed
	73	75	Existed

Is the inspection result normal?

YES >> GO TO 3.

NO >> Replace the body harness.

3. CHECK HARNESS CONTINUITY (OPEN CIRCUIT)

1. Disconnect the harness connectors M6 and E106.
2. Check the continuity between the harness connectors.

Harness connector		Harness connector		Continuity
Connector No.	Terminal No.	Connector No.	Terminal No.	
M7	74	M6	22	Existed
	75		23	Existed

Is the inspection result normal?

YES >> GO TO 4.

NO >> Repair the main line between the harness connectors M7 and M6.

4. CHECK HARNESS CONTINUITY (OPEN CIRCUIT)

1. Disconnect the connector of ABS actuator and electric unit (control unit).
2. Check the continuity between the harness connector and the ABS actuator and electric unit (control unit) harness connector.

Harness connector		ABS actuator and electric unit (control unit) harness connector		Continuity
Connector No.	Terminal No.	Connector No.	Terminal No.	
E106	22	E41	25	Existed
	23		15	Existed

Is the inspection result normal?

YES (Present error)>>Check CAN system type decision again.

YES (Past error)>>Error was detected in the main line between the AWD control unit and the ABS actuator and electric unit (control unit).

A
B
C
D
E
F
G
H
I
J
K
L

LAN

N
O
P

MAIN LINE BETWEEN 4WD AND ABS CIRCUIT

< DTC/CIRCUIT DIAGNOSIS >

[CAN SYSTEM (TYPE 9)]

NO >> Repair the main line between the harness connector E106 and the ABS actuator and electric unit (control unit).

ECM BRANCH LINE CIRCUIT

< DTC/CIRCUIT DIAGNOSIS >

[CAN SYSTEM (TYPE 9)]

ECM BRANCH LINE CIRCUIT

Diagnosis Procedure

INFOID:000000007217839

1. CHECK CONNECTOR

1. Turn the ignition switch OFF.
2. Disconnect the battery cable from the negative terminal.
3. Check the following terminals and connectors for damage, bend and loose connection (unit side and connector side).
 - ECM
 - Harness connector M30 and PCB harness side connector

Is the inspection result normal?

YES >> GO TO 2.

NO >> Repair the terminal and connector.

2. CHECK HARNESS FOR OPEN CIRCUIT

1. Disconnect the connector of ECM.
2. Check the resistance between the ECM harness connector terminals.
 - VQ37VHR

ECM harness connector			Resistance (Ω)
Connector No.	Terminal No.		
M107	114	113	Approx. 108 – 132

- VK56VD

ECM harness connector			Resistance (Ω)
Connector No.	Terminal No.		
M160	146	151	Approx. 108 – 132

Is the measurement value within the specification?

YES >> GO TO 3.

NO >> GO TO 4.

3. CHECK POWER SUPPLY AND GROUND CIRCUIT

Check the power supply and the ground circuit of the ECM. Refer to the following.

- VQ37VHR for USA and Canada: [EC-180, "Diagnosis Procedure"](#)
- VQ37VHR for Mexico: [EC-682, "Diagnosis Procedure"](#)
- VK56VD for USA and Canada: [EC-1149, "Diagnosis Procedure"](#)
- VK56VD for Mexico: [EC-1707, "Diagnosis Procedure"](#)

Is the inspection result normal?

YES (Present error)>>Replace the ECM. Refer to the following.

- VQ37VHR for USA and Canada: [EC-543, "Removal and Installation"](#)
- VQ37VHR for Mexico: [EC-980, "Removal and Installation"](#)
- VK56VD for USA and Canada: [EC-1553, "Removal and Installation"](#)
- VK56VD for Mexico: [EC-2013, "Removal and Installation"](#)

YES (Past error)>>Error was detected in the ECM branch line.

NO >> Repair the power supply and the ground circuit.

4. CHECK HARNESS CONTINUITY (OPEN CIRCUIT)

1. Disconnect the harness connector M30.
2. Check the continuity between the ECM harness connector and the harness connector.
 - VQ37VHR

ECM harness connector		Harness connector		Continuity
Connector No.	Terminal No.	Connector No.	Terminal No.	

ECM BRANCH LINE CIRCUIT

< DTC/CIRCUIT DIAGNOSIS >

[CAN SYSTEM (TYPE 9)]

M107	114	M30	439	Existed
	113		438	Existed

- VK56VD

ECM harness connector		Harness connector		Continuity
Connector No.	Terminal No.	Connector No.	Terminal No.	
M160	146	M30	439	Existed
	151		438	Existed

Is the inspection result normal?

YES >> Replace the PCB harness.

NO (VQ37VHR)>>Repair the harness between the ECM harness connector M107 and the harness connector M30.

NO (VK56VD)>>Repair the harness between the ECM harness connector M160 and the harness connector M30.

TPMS BRANCH LINE CIRCUIT

< DTC/CIRCUIT DIAGNOSIS >

[CAN SYSTEM (TYPE 9)]

TPMS BRANCH LINE CIRCUIT

Diagnosis Procedure

INFOID:000000007217840

1. CHECK CONNECTOR

1. Turn the ignition switch OFF.
2. Disconnect the battery cable from the negative terminal.
3. Check the following terminals and connectors for damage, bend and loose connection (unit side and connector side).
 - Low tire pressure warning control unit
 - Harness connector M29 and PCB harness side connector

Is the inspection result normal?

- YES >> GO TO 2.
 NO >> Repair the terminal and connector.

2. CHECK HARNESS FOR OPEN CIRCUIT

1. Disconnect the connector of low tire pressure warning control unit.
2. Check the resistance between the low tire pressure warning control unit harness connector terminals.

Low tire pressure warning control unit harness connector			Resistance (Ω)
Connector No.	Terminal No.		
M43	2	1	Approx. 54 – 66

Is the measurement value within the specification?

- YES >> GO TO 3.
 NO >> GO TO 4.

3. CHECK POWER SUPPLY AND GROUND CIRCUIT

Check the power supply and the ground circuit of the low tire pressure warning control unit. Refer to [WT-43. "Diagnosis Procedure"](#).

Is the inspection result normal?

- YES (Present error)>>Replace the low tire pressure warning control unit. Refer to [WT-58. "Removal and Installation"](#).
 YES (Past error)>>Error was detected in the low tire pressure warning control unit branch line.
 NO >> Repair the power supply and the ground circuit.

4. CHECK HARNESS CONTINUITY (OPEN CIRCUIT)

1. Disconnect the harness connector M29.
2. Check the continuity between the low tire pressure warning control unit harness connector and the harness connector.

Low tire pressure warning control unit harness connector		Harness connector		Continuity
Connector No.	Terminal No.	Connector No.	Terminal No.	
M43	2	M29	396	Existed
	1		395	Existed

Is the inspection result normal?

- YES >> Replace the PCB harness.
 NO >> Repair the harness between the low tire pressure warning control unit harness connector M43 and the harness connector M29.

A
B
C
D
E
F
G
H
I
J
K
L
N
O
P

LAN

HVAC BRANCH LINE CIRCUIT

< DTC/CIRCUIT DIAGNOSIS >

[CAN SYSTEM (TYPE 9)]

HVAC BRANCH LINE CIRCUIT

Diagnosis Procedure

INFOID:000000006889000

1. CHECK CONNECTOR

1. Turn the ignition switch OFF.
2. Disconnect the battery cable from the negative terminal.
3. Check the following terminals and connectors for damage, bend and loose connection (unit side and connector side).
 - A/C auto amp.
 - Harness connector M28 and PCB harness side connector

Is the inspection result normal?

YES >> GO TO 2.

NO >> Repair the terminal and connector.

2. CHECK HARNESS FOR OPEN CIRCUIT

1. Disconnect the connector of A/C auto amp.
2. Check the resistance between the A/C auto amp. harness connector terminals.

A/C auto amp. harness connector			Resistance (Ω)
Connector No.	Terminal No.		
M66	12	11	Approx. 54 – 66

Is the measurement value within the specification?

YES >> GO TO 3.

NO >> GO TO 4.

3. CHECK POWER SUPPLY AND GROUND CIRCUIT

Check the power supply and the ground circuit of the A/C auto amp. Refer to [HAC-156, "A/C AUTO AMP. : Diagnosis Procedure"](#).

Is the inspection result normal?

YES (Present error)>>Replace the A/C auto amp. Refer to [HAC-190, "Removal and Installation"](#).

YES (Past error)>>Error was detected in the A/C auto amp. branch line.

NO >> Repair the power supply and the ground circuit.

4. CHECK HARNESS CONTINUITY (OPEN CIRCUIT)

1. Disconnect the harness connector M28.
2. Check the continuity between the A/C auto amp. harness connector and the harness connector.

A/C auto amp. harness connector		Harness connector		Continuity
Connector No.	Terminal No.	Connector No.	Terminal No.	
M66	12	M28	325	Existed
	11		327	Existed

Is the inspection result normal?

YES >> Replace the PCB harness.

NO >> Repair the harness between the A/C auto amp. harness connector M66 and the harness connector M28.

TCM BRANCH LINE CIRCUIT

< DTC/CIRCUIT DIAGNOSIS >

[CAN SYSTEM (TYPE 9)]

TCM BRANCH LINE CIRCUIT

Diagnosis Procedure

INFOID:000000007205678

1. CHECK CONNECTOR

1. Turn the ignition switch OFF.
2. Disconnect the battery cable from the negative terminal.
3. Check the following terminals and connectors for damage, bend and loose connection (unit side and connector side).
 - A/T assembly
 - Harness connector F103
 - Harness connector M116
 - Harness connector M28 and PCB harness side connector

Is the inspection result normal?

YES >> GO TO 2.

NO >> Repair the terminal and connector.

2. CHECK HARNESS FOR OPEN CIRCUIT

1. Disconnect the connector of A/T assembly.
2. Check the resistance between the A/T assembly harness connector terminals.

A/T assembly harness connector		Resistance (Ω)
Connector No.	Terminal No.	
F61	3 8	Approx. 54 – 66

Is the measurement value within the specification?

YES >> GO TO 3.

NO >> GO TO 5.

3. CHECK HARNESS FOR OPEN CIRCUIT

1. Remove the joint connector. Refer to [TM-181, "Exploded View"](#).
2. Check the continuity between the A/T assembly harness connector side and the TCM harness connector side of the joint connector.

A/T assembly harness connector side	TCM harness connector side	Continuity
Terminal No.	Terminal No.	
3	3	Existed
8	8	Existed

Is the inspection result normal?

YES >> GO TO 4.

NO >> Replace the joint connector.

4. CHECK POWER SUPPLY AND GROUND CIRCUIT

Check the power supply and the ground circuit of the TCM. Refer to [TM-150, "Diagnosis Procedure"](#).

Is the inspection result normal?

YES (Present error)>>Replace the control valve & TCM. Refer to [TM-181, "Exploded View"](#).

YES (Past error)>>Error was detected in the TCM branch line.

NO >> Repair the power supply and the ground circuit.

5. CHECK HARNESS CONTINUITY (OPEN CIRCUIT)

1. Disconnect the harness connector M28.
2. Check the continuity between the A/T assembly harness connector and the harness connector.

A
B
C
D
E
F
G
H
I
J
K
L
N
O
P

LAN

TCM BRANCH LINE CIRCUIT

< DTC/CIRCUIT DIAGNOSIS >

[CAN SYSTEM (TYPE 9)]

A/T assembly harness connector		Harness connector		Continuity
Connector No.	Terminal No.	Connector No.	Terminal No.	
F61	3	M28	346	Existed
	8		347	Existed

Is the inspection result normal?

YES >> Replace the PCB harness.

NO >> Repair the harness between the A/T assembly harness connector F61 and the harness connector M28.

A-BAG BRANCH LINE CIRCUIT

< DTC/CIRCUIT DIAGNOSIS >

[CAN SYSTEM (TYPE 9)]

A-BAG BRANCH LINE CIRCUIT

Diagnosis Procedure

INFOID:000000006889002

WARNING:

- Before servicing, turn ignition switch OFF, disconnect battery negative terminal, and wait 3 minutes or more. (To discharge backup capacitor.)
- Never use unspecified tester or other measuring device.

1. CHECK CONNECTOR

1. Turn the ignition switch OFF.
2. Disconnect the battery cable from the negative terminal.
3. Check the following terminals and connectors for damage, bend and loose connection (unit side and connector side).
 - Air bag diagnosis sensor unit
 - Harness connector M26 and PCB harness side connector

Is the inspection result normal?

YES >> GO TO 2.

NO >> Replace the main harness and/or the PCB harness.

2. CHECK AIR BAG DIAGNOSIS SENSOR UNIT

Check the air bag diagnosis sensor unit. Refer to [SRC-24. "Work Flow"](#).

Is the inspection result normal?

YES >> Replace the main harness and/or the PCB harness.

NO >> Replace parts whose air bag system has a malfunction.

A
B
C
D
E
F
G
H
I
J
K
L
N
O
P

LAN

AV BRANCH LINE CIRCUIT

< DTC/CIRCUIT DIAGNOSIS >

[CAN SYSTEM (TYPE 9)]

AV BRANCH LINE CIRCUIT

Diagnosis Procedure

INFOID:000000006889003

1. CHECK CONNECTOR

1. Turn the ignition switch OFF.
2. Disconnect the battery cable from the negative terminal.
3. Check the following terminals and connectors for damage, bend and loose connection (unit side and connector side).
 - AV control unit
 - Harness connector M25 and PCB harness side connector

Is the inspection result normal?

YES >> GO TO 2.

NO >> Repair the terminal and connector.

2. CHECK HARNESS FOR OPEN CIRCUIT

1. Disconnect the connector of AV control unit.
2. Check the resistance between the AV control unit harness connector terminals.
 - Models with navigation system

AV control unit harness connector			Resistance (Ω)
Connector No.	Terminal No.		
M210	90	74	Approx. 54 – 66

- Models without navigation system

AV control unit harness connector			Resistance (Ω)
Connector No.	Terminal No.		
M84	81	80	Approx. 54 – 66

Is the measurement value within the specification?

YES >> GO TO 3.

NO >> GO TO 4.

3. CHECK POWER SUPPLY AND GROUND CIRCUIT

Check the power supply and the ground circuit of the AV control unit. Refer to the following.

- Base audio without navigation system: [AV-72. "AV CONTROL UNIT : Diagnosis Procedure"](#)
- BOSE audio with navigation system: [AV-236. "AV CONTROL UNIT : Diagnosis Procedure"](#)

Is the inspection result normal?

YES (Present error)>>Replace the AV control unit. Refer to the following.

- Base audio without navigation system: [AV-103. "Removal and Installation"](#)
- BOSE audio with navigation system: [AV-263. "Removal and Installation"](#)

YES (Past error)>>Error was detected in the AV control unit branch line.

NO >> Repair the power supply and the ground circuit.

4. CHECK HARNESS CONTINUITY (OPEN CIRCUIT)

1. Disconnect the harness connector M25.
2. Check the continuity between the AV control unit harness connector and the harness connector.
 - Models with navigation system

AV control unit harness connector		Harness connector		Continuity
Connector No.	Terminal No.	Connector No.	Terminal No.	
M210	90	M25	201	Existed
	74		221	Existed

- Models without navigation system

AV BRANCH LINE CIRCUIT

< DTC/CIRCUIT DIAGNOSIS >

[CAN SYSTEM (TYPE 9)]

AV control unit harness connector		Harness connector		Continuity
Connector No.	Terminal No.	Connector No.	Terminal No.	
M84	81	M25	201	Existed
	80		221	Existed

Is the inspection result normal?

YES >> Replace the PCB harness.

NO (With navigation system)>>Repair the harness between the AV control unit harness connector M210 and the harness connector M25.

NO (Without navigation system)>>Repair the harness between the AV control unit harness connector M84 and the harness connector M25.

A
B
C
D
E
F
G
H
I
J
K
L

LAN

N
O
P

M&A BRANCH LINE CIRCUIT

< DTC/CIRCUIT DIAGNOSIS >

[CAN SYSTEM (TYPE 9)]

M&A BRANCH LINE CIRCUIT

Diagnosis Procedure

INFOID:000000006889004

1. CHECK CONNECTOR

1. Turn the ignition switch OFF.
2. Disconnect the battery cable from the negative terminal.
3. Check the following terminals and connectors for damage, bend and loose connection (unit side and connector side).
 - Combination meter
 - Harness connector M24 and PCB harness side connector

Is the inspection result normal?

YES >> GO TO 2.

NO >> Repair the terminal and connector.

2. CHECK HARNESS FOR OPEN CIRCUIT

1. Disconnect the connector of combination meter.
2. Check the resistance between the combination meter harness connector terminals.

Combination meter harness connector			Resistance (Ω)
Connector No.	Terminal No.		
M53	14	15	Approx. 54 – 66

Is the measurement value within the specification?

YES >> GO TO 3.

NO >> GO TO 4.

3. CHECK POWER SUPPLY AND GROUND CIRCUIT

Check the power supply and the ground circuit of the combination meter Refer to [MWI-59. "COMBINATION METER : Diagnosis Procedure"](#).

Is the inspection result normal?

YES (Present error)>>Replace the combination meter. Refer to [MWI-79. "Removal and Installation"](#).

YES (Past error)>>Error was detected in the combination meter branch line.

NO >> Repair the power supply and the ground circuit.

4. CHECK HARNESS CONTINUITY (OPEN CIRCUIT)

1. Disconnect the harness connector M24.
2. Check the continuity between the combination meter harness connector and the harness connector.

Combination meter harness connector		Harness connector		Continuity
Connector No.	Terminal No.	Connector No.	Terminal No.	
M53	14	M24	176	Existed
	15		177	Existed

Is the inspection result normal?

YES >> Replace the PCB harness.

NO >> Repair the harness between the combination meter harness connector M53 and the harness connector M24.

DLC BRANCH LINE CIRCUIT

< DTC/CIRCUIT DIAGNOSIS >

[CAN SYSTEM (TYPE 9)]

DLC BRANCH LINE CIRCUIT

Diagnosis Procedure

INFOID:000000007205679

1. CHECK CONNECTOR

1. Turn the ignition switch OFF.
2. Disconnect the battery cable from the negative terminal.
3. Check the following terminals and connectors for damage, bend and loose connection (unit side and connector side).
 - Data link connector
 - Harness connector M181
 - Harness connector M105
 - Harness connector M23 and PCB harness side connector

Is the inspection result normal?

YES >> GO TO 2.

NO >> Repair the terminal and connector.

2. CHECK HARNESS FOR OPEN CIRCUIT

Check the resistance between the data link connector terminals.

Data link connector			Resistance (Ω)
Connector No.	Terminal No.		
M182	6	14	Approx. 54 – 66

Is the measurement value within the specification?

YES (Present error)>>Check CAN system type decision again.

YES (Past error)>>Error was detected in the data link connector branch line circuit.

NO >> GO TO 3.

3. CHECK HARNESS CONTINUITY (OPEN CIRCUIT)

1. Disconnect the harness connector M23.
2. Check the continuity between the data link connector and the harness connector.

Data link connector		Harness connector		Continuity
Connector No.	Terminal No.	Connector No.	Terminal No.	
M182	6	M23	151	Existed
	14		150	Existed

Is the inspection result normal?

YES >> Replace the PCB harness.

NO >> Repair the harness between the data link connector M182 and the harness connector M23.

A
B
C
D
E
F
G
H
I
J
K
L

LAN

BCM BRANCH LINE CIRCUIT

< DTC/CIRCUIT DIAGNOSIS >

[CAN SYSTEM (TYPE 9)]

BCM BRANCH LINE CIRCUIT

Diagnosis Procedure

INFOID:000000006889006

1. CHECK CONNECTOR

1. Turn the ignition switch OFF.
2. Disconnect the battery cable from the negative terminal.
3. Check the following terminals and connectors for damage, bend and loose connection (unit side and connector side).
 - BCM
 - Harness connector M22 and PCB harness side connector

Is the inspection result normal?

YES >> GO TO 2.

NO >> Repair the terminal and connector.

2. CHECK HARNESS FOR OPEN CIRCUIT

1. Disconnect the connector of BCM.
2. Check the resistance between the BCM harness connector terminals.

BCM harness connector			Resistance (Ω)
Connector No.	Terminal No.		
M120	39	40	Approx. 54 – 66

Is the measurement value within the specification?

YES >> GO TO 3.

NO >> GO TO 4.

3. CHECK POWER SUPPLY AND GROUND CIRCUIT

Check the power supply and the ground circuit of the BCM. Refer to [BCS-75. "Diagnosis Procedure"](#).

Is the inspection result normal?

YES (Present error)>>Replace the BCM. Refer to [BCS-82. "Removal and Installation"](#).

YES (Past error)>>Error was detected in the BCM branch line.

NO >> Repair the power supply and the ground circuit.

4. CHECK HARNESS CONTINUITY (OPEN CIRCUIT)

1. Disconnect the harness connector M22.
2. Check the continuity between the BCM harness connector and the harness connector.

BCM harness connector		Harness connector		Continuity
Connector No.	Terminal No.	Connector No.	Terminal No.	
M120	39	M22	101	Existed
	40		102	Existed

Is the inspection result normal?

YES >> Replace the PCB harness.

NO >> Repair the harness between the BCM harness connector M120 and the harness connector M22.

STRG BRANCH LINE CIRCUIT

< DTC/CIRCUIT DIAGNOSIS >

[CAN SYSTEM (TYPE 9)]

STRG BRANCH LINE CIRCUIT

Diagnosis Procedure

INFOID:000000006889007

1.CHECK CONNECTOR

1. Turn the ignition switch OFF.
2. Disconnect the battery cable from the negative terminal.
3. Check the following terminals and connectors for damage, bend and loose connection (unit side and connector side).
 - Steering angle sensor
 - Harness connector M22 and PCB harness side connector

Is the inspection result normal?

YES >> GO TO 2.

NO >> Repair the terminal and connector.

2.CHECK HARNESS FOR OPEN CIRCUIT

1. Disconnect the connector of steering angle sensor.
2. Check the resistance between the steering angle sensor harness connector terminals.

Steering angle sensor harness connector			Resistance (Ω)
Connector No.	Terminal No.		
M37	1	2	Approx. 54 – 66

Is the measurement value within the specification?

YES >> GO TO 3.

NO >> GO TO 4.

3.CHECK POWER SUPPLY AND GROUND CIRCUIT

Check the power supply and the ground circuit of the steering angle sensor. Refer to [BRC-53. "Wiring Diagram"](#).

Is the inspection result normal?

YES (Present error)>>Replace the steering angle sensor. Refer to [BRC-144. "Removal and Installation"](#).

YES (Past error)>>Error was detected in the steering angle sensor branch line.

NO >> Repair the power supply and the ground circuit.

4.CHECK HARNESS CONTINUITY (OPEN CIRCUIT)

1. Disconnect the harness connector M22.
2. Check the continuity between the steering angle sensor harness connector and the harness connector.

Steering angle sensor harness connector		Harness connector		Continuity
Connector No.	Terminal No.	Connector No.	Terminal No.	
M37	1	M22	81	Existed
	2		82	Existed

Is the inspection result normal?

YES >> Replace the PCB harness.

NO >> Repair the harness between the steering angle sensor harness connector M37 and the harness connector M22.

A
B
C
D
E
F
G
H
I
J
K
L
N
O
P

LAN

4WD BRANCH LINE CIRCUIT

< DTC/CIRCUIT DIAGNOSIS >

[CAN SYSTEM (TYPE 9)]

4WD BRANCH LINE CIRCUIT

Diagnosis Procedure

INFOID:000000006889008

1. CHECK CONNECTOR

1. Turn the ignition switch OFF.
2. Disconnect the battery cable from the negative terminal.
3. Check the terminals and connectors of the AWD control unit for damage, bend and loose connection (unit side and connector side).

Is the inspection result normal?

- YES >> GO TO 2.
NO >> Repair the terminal and connector.

2. CHECK HARNESS FOR OPEN CIRCUIT

1. Disconnect the connector of AWD control unit.
2. Check the resistance between the AWD control unit harness connector terminals.

AWD control unit harness connector			Resistance (Ω)
Connector No.	Terminal No.		
B17	8	16	Approx. 54 – 66

Is the measurement value within the specification?

- YES >> GO TO 3.
NO >> Repair the AWD control unit branch line.

3. CHECK POWER SUPPLY AND GROUND CIRCUIT

Check the power supply and the ground circuit of the AWD control unit. Refer to [DLN-42, "Diagnosis Procedure"](#).

Is the inspection result normal?

- YES (Present error)>>Replace the AWD control unit. Refer to [DLN-54, "Removal and Installation"](#).
YES (Past error)>>Error was detected in the AWD control unit branch line.
NO >> Repair the power supply and the ground circuit.

ABS BRANCH LINE CIRCUIT

< DTC/CIRCUIT DIAGNOSIS >

[CAN SYSTEM (TYPE 9)]

ABS BRANCH LINE CIRCUIT

Diagnosis Procedure

INFOID:000000006889009

1. CHECK CONNECTOR

1. Turn the ignition switch OFF.
2. Disconnect the battery cable from the negative terminal.
3. Check the terminals and connectors of the ABS actuator and electric unit (control unit) for damage, bend and loose connection (unit side and connector side).

Is the inspection result normal?

- YES >> GO TO 2.
NO >> Repair the terminal and connector.

2. CHECK HARNESS FOR OPEN CIRCUIT

1. Disconnect the connector of ABS actuator and electric unit (control unit).
2. Check the resistance between the ABS actuator and electric unit (control unit) harness connector terminals.

ABS actuator and electric unit (control unit) harness connector			Resistance (Ω)
Connector No.	Terminal No.		
E41	25	15	Approx. 54 – 66

Is the measurement value within the specification?

- YES >> GO TO 3.
NO >> Repair the ABS actuator and electric unit (control unit) branch line.

3. CHECK POWER SUPPLY AND GROUND CIRCUIT

Check the power supply and the ground circuit of the ABS actuator and electric unit (control unit). Refer to [BRC-119, "Diagnosis Procedure"](#).

Is the inspection result normal?

- YES (Present error)>>Replace the ABS actuator and electric unit (control unit). Refer to [BRC-141, "Removal and Installation"](#).
YES (Past error)>>Error was detected in the ABS actuator and electric unit (control unit) branch line.
NO >> Repair the power supply and the ground circuit.

A
B
C
D
E
F
G
H
I
J
K
L

LAN

IPDM-E BRANCH LINE CIRCUIT

< DTC/CIRCUIT DIAGNOSIS >

[CAN SYSTEM (TYPE 9)]

IPDM-E BRANCH LINE CIRCUIT

Diagnosis Procedure

INFOID:000000006889010

1.CHECK CONNECTOR

1. Turn the ignition switch OFF.
2. Disconnect the battery cable from the negative terminal.
3. Check the terminals and connectors of the IPDM E/R for damage, bend and loose connection (unit side and connector side).

Is the inspection result normal?

- YES >> GO TO 2.
NO >> Repair the terminal and connector.

2.CHECK HARNESS FOR OPEN CIRCUIT

1. Disconnect the connector of IPDM E/R.
2. Check the resistance between the IPDM E/R harness connector terminals.

IPDM E/R harness connector			Resistance (Ω)
Connector No.	Terminal No.		
E6	40	39	Approx. 108 – 132

Is the measurement value within the specification?

- YES >> GO TO 3.
NO >> Repair the IPDM E/R branch line.

3.CHECK POWER SUPPLY AND GROUND CIRCUIT

Check the power supply and the ground circuit of the IPDM E/R. Refer to [PCS-32, "Diagnosis Procedure"](#).

Is the inspection result normal?

- YES (Present error)>>Replace the IPDM E/R. Refer to [PCS-33, "Removal and Installation"](#).
YES (Past error)>>Error was detected in the IPDM E/R branch line.
NO >> Repair the power supply and the ground circuit.

ADP BRANCH LINE CIRCUIT

< DTC/CIRCUIT DIAGNOSIS >

[CAN SYSTEM (TYPE 9)]

ADP BRANCH LINE CIRCUIT

Diagnosis Procedure

INFOID:000000007205680

1. CHECK CONNECTOR

1. Turn the ignition switch OFF.
2. Disconnect the battery cable from the negative terminal.
3. Check the following terminals and connectors for damage, bend and loose connection (unit side and connector side).
 - Driver seat control unit
 - Harness connector B501
 - Harness connector B11
 - CAN gateway (With ICC system)

Is the inspection result normal?

YES (With ICC system)>>GO TO 2.

YES (Without ICC system)>>GO TO 3.

NO >> Repair the terminal and connector.

2. CHECK HARNESS CONTINUITY (OPEN CIRCUIT)

1. Disconnect the connector of CAN gateway.
2. Check the continuity between the CAN gateway harness connector terminals.

CAN gateway harness connector			Continuity
Connector No.	Terminal No.		
M125	4	6	Existed
	10	12	Existed

Is the inspection result normal?

YES >> GO TO 3.

NO >> Check the harness and repair or replace (if shield line is open) the root cause (CAN communication circuit 2 side). Refer to [LAN-47, "System Diagram"](#).

3. CHECK HARNESS FOR OPEN CIRCUIT

1. Connect the connector of CAN gateway. (With ICC system)
2. Disconnect the connector of driver seat control unit.
3. Check the resistance between the driver seat control unit harness connector terminals.

Driver seat control unit harness connector			Resistance (Ω)
Connector No.	Terminal No.		
B514	23	24	Approx. 54 – 66

Is the measurement value within the specification?

YES >> GO TO 4.

NO >> Repair the driver seat control unit branch line.

4. CHECK POWER SUPPLY AND GROUND CIRCUIT

Check the power supply and the ground circuit of the driver seat control unit. Refer to [ADP-61, "DRIVER SEAT CONTROL UNIT : Diagnosis Procedure"](#).

Is the inspection result normal?

YES (Present error)>>Replace the driver seat control unit. Refer to [ADP-134, "Removal and Installation"](#).

YES (Past error)>>Error was detected in the driver seat control unit branch line.

NO >> Repair the power supply and the ground circuit.

CAN COMMUNICATION CIRCUIT

< DTC/CIRCUIT DIAGNOSIS >

[CAN SYSTEM (TYPE 9)]

CAN COMMUNICATION CIRCUIT

Diagnosis Procedure

INFOID:000000006889012

1. CONNECTOR INSPECTION

1. Turn the ignition switch OFF.
2. Disconnect the battery cable from the negative terminal.
3. Disconnect all the unit connectors on CAN communication system.
4. Check terminals and connectors for damage, bend and loose connection.

Is the inspection result normal?

- YES >> GO TO 2.
NO >> Repair the terminal and connector.

2. CHECK HARNESS CONTINUITY (SHORT CIRCUIT)

Check the continuity between the data link connector terminals.

Data link connector			Continuity
Connector No.	Terminal No.		
M182	6	14	Not existed

Is the inspection result normal?

- YES >> GO TO 3.
NO >> Check the harness and repair or replace (if shield line or PCB harness is short) the root cause.

3. CHECK HARNESS CONTINUITY (SHORT CIRCUIT)

Check the continuity between the data link connector and the ground.

Data link connector		Ground	Continuity
Connector No.	Terminal No.		
M182	6		Not existed
	14		Not existed

Is the inspection result normal?

- YES >> GO TO 4.
NO >> Check the harness and repair or replace (if shield line or PCB harness is short) the root cause.

4. CHECK ECM AND IPDM E/R TERMINATION CIRCUIT

1. Remove the ECM and the IPDM E/R.
2. Check the resistance between the ECM terminals.
 - VQ37VHR

ECM		Resistance (Ω)
Terminal No.		
114	113	Approx. 108 – 132

- VK56VD

ECM		Resistance (Ω)
Terminal No.		
146	151	Approx. 108 – 132

3. Check the resistance between the IPDM E/R terminals.

IPDM E/R		Resistance (Ω)
Terminal No.		
40	39	Approx. 108 – 132

CAN COMMUNICATION CIRCUIT

< DTC/CIRCUIT DIAGNOSIS >

[CAN SYSTEM (TYPE 9)]

Is the measurement value within the specification?

YES >> GO TO 5.

NO >> Replace the ECM and/or the IPDM E/R.

5.CHECK SYMPTOM

Connect all the connectors. Check if the symptoms described in the “Symptom (Results from interview with customer)” are reproduced.

Inspection result

Reproduced>>GO TO 6.

Non-reproduced>>Start the diagnosis again. Follow the trouble diagnosis procedure when past error is detected.

6.CHECK UNIT REPRODUCTION

Perform the reproduction test as per the following procedure for each unit.

1. Turn the ignition switch OFF.
2. Disconnect the battery cable from the negative terminal.
3. Disconnect one of the unit connectors of CAN communication system.

NOTE:

ECM and IPDM E/R have a termination circuit. Check other units first.

4. Connect the battery cable to the negative terminal. Check if the symptoms described in the “Symptom (Results from interview with customer)” are reproduced.

NOTE:

Although unit-related error symptoms occur, do not confuse them with other symptoms.

Inspection result

Reproduced>>Connect the connector. Check other units as per the above procedure.

Non-reproduced>>Replace the unit whose connector was disconnected.

A
B
C
D
E
F
G
H
I
J
K
L

LAN

N
O
P

MAIN LINE BETWEEN TPMS AND HVAC CIRCUIT

< DTC/CIRCUIT DIAGNOSIS >

[CAN SYSTEM (TYPE 10)]

DTC/CIRCUIT DIAGNOSIS

MAIN LINE BETWEEN TPMS AND HVAC CIRCUIT

Diagnosis Procedure

INFOID:000000006889013

1. CHECK HARNESS CONTINUITY (OPEN CIRCUIT)

1. Turn the ignition switch OFF.
2. Disconnect the battery cable from the negative terminal.
3. Disconnect the following harness connectors.
 - ECM
 - Low tire pressure warning control unit
 - A/C auto amp.
4. Check the continuity between the low tire pressure warning control unit harness connector and the A/C auto amp. harness connector.

Low tire pressure warning control unit harness connector		A/C auto amp. harness connector		Continuity
Connector No.	Terminal No.	Connector No.	Terminal No.	
M43	2	M66	12	Existed
	1		11	Existed

Is the inspection result normal?

YES (Present error)>>Check CAN system type decision again.

YES (Past error)>>Error was detected in the main line between the low tire pressure warning control unit and the A/C auto amp.

NO >> Replace the PCB harness.

MAIN LINE BETWEEN HVAC AND A-BAG CIRCUIT

< DTC/CIRCUIT DIAGNOSIS >

[CAN SYSTEM (TYPE 10)]

MAIN LINE BETWEEN HVAC AND A-BAG CIRCUIT

Diagnosis Procedure

INFOID:000000006889014

1. CHECK HARNESS CONTINUITY (OPEN CIRCUIT)

1. Turn the ignition switch OFF.
2. Disconnect the battery cable from the negative terminal.
3. Disconnect the following harness connectors.
 - ECM
 - A/C auto amp.
 - AV control unit
4. Check the continuity between the A/C auto amp. harness connector and the AV control unit harness connector.
 - Models with navigation system

A/C auto amp. harness connector		AV control unit harness connector		Continuity
Connector No.	Terminal No.	Connector No.	Terminal No.	
M66	12	M210	90	Existed
	11		74	Existed

- Models without navigation system

A/C auto amp. harness connector		AV control unit harness connector		Continuity
Connector No.	Terminal No.	Connector No.	Terminal No.	
M66	12	M84	81	Existed
	11		80	Existed

Is the inspection result normal?

YES (Present error)>>Check CAN system type decision again.

YES (Past error)>>Error was detected in the main line between the A/C auto amp. and the air bag diagnosis sensor unit.

NO >> Replace the PCB harness.

A
B
C
D
E
F
G
H
I
J
K
L

LAN

N
O
P

MAIN LINE BETWEEN A-BAG AND AV CIRCUIT

< DTC/CIRCUIT DIAGNOSIS >

[CAN SYSTEM (TYPE 10)]

MAIN LINE BETWEEN A-BAG AND AV CIRCUIT

Diagnosis Procedure

INFOID:000000006889015

1. CHECK HARNESS CONTINUITY (OPEN CIRCUIT)

1. Turn the ignition switch OFF.
2. Disconnect the battery cable from the negative terminal.
3. Disconnect the following harness connectors.
 - ECM
 - A/C auto amp.
 - AV control unit
4. Check the continuity between the A/C auto amp. harness connector and the AV control unit harness connector.
 - Models with navigation system

A/C auto amp. harness connector		AV control unit harness connector		Continuity
Connector No.	Terminal No.	Connector No.	Terminal No.	
M66	12	M210	90	Existed
	11		74	Existed

- Models without navigation system

A/C auto amp. harness connector		AV control unit harness connector		Continuity
Connector No.	Terminal No.	Connector No.	Terminal No.	
M66	12	M84	81	Existed
	11		80	Existed

Is the inspection result normal?

YES (Present error)>>Check CAN system type decision again.

YES (Past error)>>Error was detected in the main line between the air bag diagnosis sensor unit and the AV control unit.

NO >> Replace the PCB harness.

MAIN LINE BETWEEN AV AND M&A CIRCUIT

< DTC/CIRCUIT DIAGNOSIS >

[CAN SYSTEM (TYPE 10)]

MAIN LINE BETWEEN AV AND M&A CIRCUIT

Diagnosis Procedure

INFOID:000000006889016

1. CHECK HARNESS CONTINUITY (OPEN CIRCUIT)

1. Turn the ignition switch OFF.
2. Disconnect the battery cable from the negative terminal.
3. Disconnect the following harness connectors.
 - ECM
 - AV control unit
 - Combination meter
4. Check the continuity between the AV control unit harness connector and the combination meter harness connector.
 - Models with navigation system

AV control unit harness connector		Combination meter harness connector		Continuity
Connector No.	Terminal No.	Connector No.	Terminal No.	
M210	90	M53	14	Existed
	74		15	Existed

- Models without navigation system

AV control unit harness connector		Combination meter harness connector		Continuity
Connector No.	Terminal No.	Connector No.	Terminal No.	
M84	81	M53	14	Existed
	80		15	Existed

Is the inspection result normal?

YES (Present error)>>Check CAN system type decision again.

YES (Past error)>>Error was detected in the main line between the AV control unit and the combination meter.

NO >> Replace the PCB harness.

A
B
C
D
E
F
G
H
I
J
K
L

LAN

N
O
P

MAIN LINE BETWEEN M&A AND DLC CIRCUIT

< DTC/CIRCUIT DIAGNOSIS >

[CAN SYSTEM (TYPE 10)]

MAIN LINE BETWEEN M&A AND DLC CIRCUIT

Diagnosis Procedure

INFOID:000000006889017

1. CHECK HARNESS CONTINUITY (OPEN CIRCUIT)

1. Turn the ignition switch OFF.
2. Disconnect the battery cable from the negative terminal.
3. Disconnect the following harness connectors.
 - ECM
 - Combination meter
 - Harness connectors M105 and M181
4. Check the continuity between the combination meter harness connector and the harness connector.

Combination meter harness connector		Harness connector		Continuity
Connector No.	Terminal No.	Connector No.	Terminal No.	
M53	14	M105	7	Existed
	15		8	Existed

Is the inspection result normal?

YES (Present error)>>Check CAN system type decision again.

YES (Past error)>>Error was detected in the main line between the combination meter and the data link connector.

NO >> Replace the PCB harness.

MAIN LINE BETWEEN DLC AND BCM CIRCUIT

< DTC/CIRCUIT DIAGNOSIS >

[CAN SYSTEM (TYPE 10)]

MAIN LINE BETWEEN DLC AND BCM CIRCUIT

Diagnosis Procedure

INFOID:000000006889018

1. CHECK HARNESS CONTINUITY (OPEN CIRCUIT)

1. Turn the ignition switch OFF.
2. Disconnect the battery cable from the negative terminal.
3. Disconnect the following harness connectors.
 - ECM
 - Harness connectors M181 and M105
 - BCM
4. Check the continuity between the harness connector and the BCM harness connector.

Harness connector		BCM harness connector		Continuity
Connector No.	Terminal No.	Connector No.	Terminal No.	
M105	7	M120	39	Existed
	8		40	Existed

Is the inspection result normal?

YES (Present error)>>Check CAN system type decision again.

YES (Past error)>>Error was detected in the main line between the data link connector and the BCM.

NO >> Replace the PCB harness.

A
B
C
D
E
F
G
H
I
J
K
L

LAN

N
O
P

MAIN LINE BETWEEN BCM AND 4WD CIRCUIT

< DTC/CIRCUIT DIAGNOSIS >

[CAN SYSTEM (TYPE 10)]

MAIN LINE BETWEEN BCM AND 4WD CIRCUIT

Diagnosis Procedure

INFOID:000000006889019

1. CHECK CONNECTOR

1. Turn the ignition switch OFF.
2. Disconnect the battery cable from the negative terminal.
3. Check the following terminals and connectors for damage, bend and loose connection (connector side and harness side).
 - Harness connector M20 and PCB harness side connector
 - Harness connector M7
 - Harness connector B1

Is the inspection result normal?

YES >> GO TO 2.

NO >> Repair the terminal and connector.

2. CHECK HARNESS CONTINUITY (OPEN CIRCUIT)

1. Disconnect the following harness connectors.
 - BCM
 - Harness connector M20
2. Check the continuity between the BCM harness connector and the PCB harness connector.

BCM harness connector		PCB harness connector		Continuity
Connector No.	Terminal No.	Terminal No.		
M120	39	35		Existed
	40	36		Existed

Is the inspection result normal?

YES >> GO TO 3.

NO >> Replace the PCB harness.

3. CHECK HARNESS CONTINUITY (OPEN CIRCUIT)

1. Disconnect the harness connectors M7 and B1.
2. Check the continuity between the harness connectors.

Harness connector		Harness connector		Continuity
Connector No.	Terminal No.	Connector No.	Terminal No.	
M20	35	M7	72	Existed
	36		73	Existed

Is the inspection result normal?

YES >> GO TO 4.

NO >> Repair the main line between the harness connectors M20 and M7.

4. CHECK HARNESS CONTINUITY (OPEN CIRCUIT)

Check the continuity between the harness connector terminals.

Connector No.	Terminal No.		Continuity
B1	72	74	Existed
	73	75	Existed

Is the inspection result normal?

YES (Present error)>>Check CAN system type decision again.

YES (Past error)>>Error was detected in the main line between the BCM and the AWD control unit.

NO >> Replace the body harness.

MAIN LINE BETWEEN 4WD AND ABS CIRCUIT

< DTC/CIRCUIT DIAGNOSIS >

[CAN SYSTEM (TYPE 10)]

MAIN LINE BETWEEN 4WD AND ABS CIRCUIT

Diagnosis Procedure

INFOID:000000006889020

1. CHECK CONNECTOR

1. Turn the ignition switch OFF.
2. Disconnect the battery cable from the negative terminal.
3. Check the following terminals and connectors for damage, bend and loose connection (connector side and harness side).
 - Harness connector B1
 - Harness connector M7
 - Harness connector M6
 - Harness connector E106

Is the inspection result normal?

YES >> GO TO 2.

NO >> Repair the terminal and connector.

2. CHECK HARNESS CONTINUITY (OPEN CIRCUIT)

1. Disconnect the harness connectors B1 and M7.
2. Check the continuity between the harness connector terminals.

Connector No.	Terminal No.		Continuity
B1	72	74	Existed
	73	75	Existed

Is the inspection result normal?

YES >> GO TO 3.

NO >> Replace the body harness.

3. CHECK HARNESS CONTINUITY (OPEN CIRCUIT)

1. Disconnect the harness connectors M6 and E106.
2. Check the continuity between the harness connectors.

Harness connector		Harness connector		Continuity
Connector No.	Terminal No.	Connector No.	Terminal No.	
M7	74	M6	22	Existed
	75		23	Existed

Is the inspection result normal?

YES >> GO TO 4.

NO >> Repair the main line between the harness connectors M7 and M6.

4. CHECK HARNESS CONTINUITY (OPEN CIRCUIT)

1. Disconnect the connector of ABS actuator and electric unit (control unit).
2. Check the continuity between the harness connector and the ABS actuator and electric unit (control unit) harness connector.

Harness connector		ABS actuator and electric unit (control unit) harness connector		Continuity
Connector No.	Terminal No.	Connector No.	Terminal No.	
E106	22	E41	25	Existed
	23		15	Existed

Is the inspection result normal?

YES (Present error)>>Check CAN system type decision again.

YES (Past error)>>Error was detected in the main line between the AWD control unit and the ABS actuator and electric unit (control unit).

A
B
C
D
E
F
G
H
I
J
K
L

LAN

N
O
P

MAIN LINE BETWEEN 4WD AND ABS CIRCUIT

< DTC/CIRCUIT DIAGNOSIS >

[CAN SYSTEM (TYPE 10)]

NO >> Repair the main line between the harness connector E106 and the ABS actuator and electric unit (control unit).

MAIN LINE BETWEEN DLC AND ADP CIRCUIT

< DTC/CIRCUIT DIAGNOSIS >

[CAN SYSTEM (TYPE 10)]

MAIN LINE BETWEEN DLC AND ADP CIRCUIT

Diagnosis Procedure

INFOID:000000007205626

1.CHECK CONNECTOR

1. Turn the ignition switch OFF.
2. Disconnect the battery cable from the negative terminal.
3. Check the following terminals and connectors for damage, bend and loose connection (connector side and harness side).
 - Harness connector M20 and PCB harness side connector
 - Harness connector M7
 - Harness connector B1

Is the inspection result normal?

YES >> GO TO 2.

NO >> Repair the terminal and connector.

2.CHECK HARNESS CONTINUITY (OPEN CIRCUIT)

1. Disconnect the harness connector M20.
2. Check the continuity between the data link connector and the PCB harness connector.

Data link connector		PCB harness connector		Continuity
Connector No.	Terminal No.	Terminal No.		
M182	13	24		Existed
	12	27		Existed

Is the inspection result normal?

YES >> GO TO 3.

NO >> Replace the PCB harness.

3.CHECK HARNESS CONTINUITY (OPEN CIRCUIT)

1. Disconnect the harness connectors M7 and B1.
2. Check the continuity between the harness connectors.

Harness connector		Harness connector		Continuity
Connector No.	Terminal No.	Connector No.	Terminal No.	
M20	24	M7	34	Existed
	27		35	Existed

Is the inspection result normal?

YES >> GO TO 4.

NO >> Repair the main line between the harness connectors M20 and M7.

4.CHECK HARNESS CONTINUITY (OPEN CIRCUIT)

Check the continuity between the harness connector terminals.

Connector No.	Terminal No.		Continuity
B1	34	32	Existed
	35	33	Existed

Is the inspection result normal?

YES (Present error)>>Check CAN system type decision again.

YES (Past error)>>Error was detected in the main line between the data link connector and the driver seat control unit.

NO >> Replace the body harness.

A
B
C
D
E
F
G
H
I
J
K
L
N
O
P

LAN

MAIN LINE BETWEEN RDR-L AND RDR-R CIRCUIT

< DTC/CIRCUIT DIAGNOSIS >

[CAN SYSTEM (TYPE 10)]

MAIN LINE BETWEEN RDR-L AND RDR-R CIRCUIT

Diagnosis Procedure

INFOID:000000006889021

1. CHECK CONNECTOR

1. Turn the ignition switch OFF.
2. Disconnect the battery cable from the negative terminal.
3. Check the following terminals and connectors for damage, bend and loose connection (connector side and harness side).
 - Harness connector B33
 - Harness connector B245

Is the inspection result normal?

YES >> GO TO 2.

NO >> Repair the terminal and connector.

2. CHECK HARNESS CONTINUITY (OPEN CIRCUIT)

1. Disconnect the following harness connectors.
 - Side radar LH
 - Harness connectors B33 and B245
2. Check the continuity between the side radar LH harness connector and the harness connector.

Side radar LH harness connector		Harness connector		Continuity
Connector No.	Terminal No.	Connector No.	Terminal No.	
B52	4	B33	13	Existed
	3		14	Existed

Is the inspection result normal?

YES >> GO TO 3.

NO >> Repair the main line between the side radar LH and the harness connector B33.

3. CHECK HARNESS CONTINUITY (OPEN CIRCUIT)

1. Disconnect the connector of side radar RH.
2. Check the continuity between the harness connector and the side radar RH harness connector.

Harness connector		Side radar RH harness connector		Continuity
Connector No.	Terminal No.	Connector No.	Terminal No.	
B245	13	B252	4	Existed
	14		3	Existed

Is the inspection result normal?

YES (Present error)>>Check CAN system type decision again.

YES (Past error)>>Error was detected in the main line between the side radar LH and the side radar RH.

NO >> Repair the main line between the harness connector B245 and the side radar RH.

MAIN LINE BETWEEN RDR-R AND APA CIRCUIT

< DTC/CIRCUIT DIAGNOSIS >

[CAN SYSTEM (TYPE 10)]

MAIN LINE BETWEEN RDR-R AND APA CIRCUIT

Diagnosis Procedure

INFOID:000000006889022

1.CHECK CONNECTOR

1. Turn the ignition switch OFF.
2. Disconnect the battery cable from the negative terminal.
3. Check the following terminals and connectors for damage, bend and loose connection (connector side and harness side).
 - Harness connector B201
 - Harness connector M117
 - Harness connector M20 and PCB harness side connector

Is the inspection result normal?

YES >> GO TO 2.

NO >> Repair the terminal and connector.

2.CHECK HARNESS CONTINUITY (OPEN CIRCUIT)

1. Disconnect the following harness connectors.
 - Side radar RH
 - Harness connectors B201 and M117
2. Check the continuity between the side radar RH harness connector and the harness connector.

Side radar RH harness connector		Harness connector		Continuity
Connector No.	Terminal No.	Connector No.	Terminal No.	
B252	4	B201	66	Existed
	3		67	Existed

Is the inspection result normal?

YES >> GO TO 3.

NO >> Repair the main line between the side radar RH and the harness connector B201.

3.CHECK HARNESS CONTINUITY (OPEN CIRCUIT)

1. Disconnect the harness connector M20.
2. Check the continuity between the harness connectors.

Harness connector		Harness connector		Continuity
Connector No.	Terminal No.	Connector No.	Terminal No.	
M117	66	M20	38	Existed
	67		40	Existed

Is the inspection result normal?

YES >> GO TO 4.

NO >> Repair the main line between the harness connectors M117 and M20.

4.CHECK HARNESS CONTINUITY (OPEN CIRCUIT)

1. Disconnect the harness connectors M150 and M151.
2. Check the continuity between the PCB harness connector and the harness connector.

PCB harness connector		Harness connector		Continuity
Terminal No.	Connector No.	Terminal No.	Connector No.	
38	M150	11		Existed
40		10		Existed

Is the inspection result normal?

YES (Present error)>>Check CAN system type decision again.

YES (Past error)>>Error was detected in the main line between the side radar RH and the accelerator pedal actuator.

A
B
C
D
E
F
G
H
I
J
K
L

LAN

N
O
P

MAIN LINE BETWEEN RDR-R AND APA CIRCUIT

< DTC/CIRCUIT DIAGNOSIS >

[CAN SYSTEM (TYPE 10)]

NO >> Replace the PCB harness.

MAIN LINE BETWEEN APA AND LANE CIRCUIT

< DTC/CIRCUIT DIAGNOSIS >

[CAN SYSTEM (TYPE 10)]

MAIN LINE BETWEEN APA AND LANE CIRCUIT

Diagnosis Procedure

INFOID:000000006889023

1. CHECK HARNESS CONTINUITY (OPEN CIRCUIT)

1. Turn the ignition switch OFF.
2. Disconnect the battery cable from the negative terminal.
3. Disconnect the following harness connectors.
 - ADAS control unit
 - Harness connectors M151 and M150
 - Harness connectors M110 and R7
4. Check the continuity between the harness connectors.

Harness connector		Harness connector		Continuity
Connector No.	Terminal No.	Connector No.	Terminal No.	
M150	11	M110	13	Existed
	10		2	Existed

Is the inspection result normal?

YES (Present error)>>Check CAN system type decision again.

YES (Past error)>>Error was detected in the main line between the accelerator pedal actuator and the lane camera unit.

NO >> Replace the PCB harness.

A
B
C
D
E
F
G
H
I
J
K
L

LAN

N
O
P

ECM BRANCH LINE CIRCUIT

< DTC/CIRCUIT DIAGNOSIS >

[CAN SYSTEM (TYPE 10)]

ECM BRANCH LINE CIRCUIT

Diagnosis Procedure

INFOID:000000007217841

1. CHECK CONNECTOR

1. Turn the ignition switch OFF.
2. Disconnect the battery cable from the negative terminal.
3. Check the following terminals and connectors for damage, bend and loose connection (unit side and connector side).
 - ECM
 - Harness connector M30 and PCB harness side connector

Is the inspection result normal?

YES >> GO TO 2.

NO >> Repair the terminal and connector.

2. CHECK HARNESS FOR OPEN CIRCUIT

1. Disconnect the connector of ECM.
2. Check the resistance between the ECM harness connector terminals.
 - VQ37VHR

ECM harness connector			Resistance (Ω)
Connector No.	Terminal No.		
M107	114	113	Approx. 108 – 132

- VK56VD

ECM harness connector			Resistance (Ω)
Connector No.	Terminal No.		
M160	146	151	Approx. 108 – 132

Is the measurement value within the specification?

YES >> GO TO 3.

NO >> GO TO 4.

3. CHECK POWER SUPPLY AND GROUND CIRCUIT

Check the power supply and the ground circuit of the ECM. Refer to the following.

- VQ37VHR for USA and Canada: [EC-180, "Diagnosis Procedure"](#)
- VQ37VHR for Mexico: [EC-682, "Diagnosis Procedure"](#)
- VK56VD for USA and Canada: [EC-1149, "Diagnosis Procedure"](#)
- VK56VD for Mexico: [EC-1707, "Diagnosis Procedure"](#)

Is the inspection result normal?

YES (Present error)>>Replace the ECM. Refer to the following.

- VQ37VHR for USA and Canada: [EC-543, "Removal and Installation"](#)
- VQ37VHR for Mexico: [EC-980, "Removal and Installation"](#)
- VK56VD for USA and Canada: [EC-1553, "Removal and Installation"](#)
- VK56VD for Mexico: [EC-2013, "Removal and Installation"](#)

YES (Past error)>>Error was detected in the ECM branch line.

NO >> Repair the power supply and the ground circuit.

4. CHECK HARNESS CONTINUITY (OPEN CIRCUIT)

1. Disconnect the harness connector M30.
2. Check the continuity between the ECM harness connector and the harness connector.
 - VQ37VHR

ECM harness connector		Harness connector		Continuity
Connector No.	Terminal No.	Connector No.	Terminal No.	

ECM BRANCH LINE CIRCUIT

< DTC/CIRCUIT DIAGNOSIS >

[CAN SYSTEM (TYPE 10)]

M107	114	M30	439	Existed
	113		438	Existed

A

- VK56VD

B

ECM harness connector		Harness connector		Continuity
Connector No.	Terminal No.	Connector No.	Terminal No.	
M160	146	M30	439	Existed
	151		438	Existed

C

Is the inspection result normal?

D

YES >> Replace the PCB harness.

NO (VQ37VHR)>>Repair the harness between the ECM harness connector M107 and the harness connector M30.

NO (VK56VD)>>Repair the harness between the ECM harness connector M160 and the harness connector M30.

E

F

G

H

I

J

K

L

LAN

N

O

P

TPMS BRANCH LINE CIRCUIT

< DTC/CIRCUIT DIAGNOSIS >

[CAN SYSTEM (TYPE 10)]

TPMS BRANCH LINE CIRCUIT

Diagnosis Procedure

INFOID:000000007217842

1. CHECK CONNECTOR

1. Turn the ignition switch OFF.
2. Disconnect the battery cable from the negative terminal.
3. Check the following terminals and connectors for damage, bend and loose connection (unit side and connector side).
 - Low tire pressure warning control unit
 - Harness connector M29 and PCB harness side connector

Is the inspection result normal?

YES >> GO TO 2.

NO >> Repair the terminal and connector.

2. CHECK HARNESS FOR OPEN CIRCUIT

1. Disconnect the connector of low tire pressure warning control unit.
2. Check the resistance between the low tire pressure warning control unit harness connector terminals.

Low tire pressure warning control unit harness connector			Resistance (Ω)
Connector No.	Terminal No.		
M43	2	1	Approx. 54 – 66

Is the measurement value within the specification?

YES >> GO TO 3.

NO >> GO TO 4.

3. CHECK POWER SUPPLY AND GROUND CIRCUIT

Check the power supply and the ground circuit of the low tire pressure warning control unit. Refer to [WT-43. "Diagnosis Procedure"](#).

Is the inspection result normal?

YES (Present error)>>Replace the low tire pressure warning control unit. Refer to [WT-58. "Removal and Installation"](#).

YES (Past error)>>Error was detected in the low tire pressure warning control unit branch line.

NO >> Repair the power supply and the ground circuit.

4. CHECK HARNESS CONTINUITY (OPEN CIRCUIT)

1. Disconnect the harness connector M29.
2. Check the continuity between the low tire pressure warning control unit harness connector and the harness connector.

Low tire pressure warning control unit harness connector		Harness connector		Continuity
Connector No.	Terminal No.	Connector No.	Terminal No.	
M43	2	M29	396	Existed
	1		395	Existed

Is the inspection result normal?

YES >> Replace the PCB harness.

NO >> Repair the harness between the low tire pressure warning control unit harness connector M43 and the harness connector M29.

CGW BRANCH LINE CIRCUIT (CAN COMMUNICATION CIRCUIT 1)

< DTC/CIRCUIT DIAGNOSIS >

[CAN SYSTEM (TYPE 10)]

CGW BRANCH LINE CIRCUIT (CAN COMMUNICATION CIRCUIT 1)

Diagnosis Procedure

INFOID:000000007205640

1. CHECK DTC

Check DTC of the CAN gateway with CONSULT.

Is U1010 or B2600 indicated?

- YES >> Perform a diagnosis of the indicated DTC.
- NO >> GO TO 2.

2. CHECK CONNECTOR

1. Turn the ignition switch OFF.
2. Disconnect the battery cable from the negative terminal.
3. Check the following terminals and connectors for damage, bend and loose connection (unit side and connector side).
 - CAN gateway
 - Harness connector M28 and PCB harness side connector

Is the inspection result normal?

- YES >> GO TO 3.
- NO >> Repair the terminal and connector.

3. CHECK HARNESS FOR OPEN CIRCUIT

1. Disconnect the connector of CAN gateway.
2. Check the resistance between the CAN gateway harness connector terminals.

CAN gateway harness connector			Resistance (Ω)
Connector No.	Terminal No.		
M125	1	7	Approx. 54 – 66

Is the measurement value within the specification?

- YES >> GO TO 4.
- NO >> GO TO 5.

4. CHECK POWER SUPPLY AND GROUND CIRCUIT

Check the power supply and the ground circuit of the CAN gateway. Refer to [LAN-122, "Diagnosis Procedure"](#).

Is the inspection result normal?

- YES (Present error)>>Replace the CAN gateway. Refer to [LAN-123, "Removal and Installation"](#).
- YES (Past error)>>Error was detected in the CAN gateway branch line (CAN communication circuit 1 side). Refer to [LAN-47, "System Diagram"](#).
- NO >> Repair the power supply and the ground circuit.

5. CHECK HARNESS CONTINUITY (OPEN CIRCUIT)

1. Disconnect the harness connector M28.
2. Check the continuity between the CAN gateway harness connector and the harness connector.

CAN gateway harness connector		Harness connector		Continuity
Connector No.	Terminal No.	Connector No.	Terminal No.	
M125	1	M28	326	Existed
	7		328	Existed

Is the inspection result normal?

- YES >> Replace the PCB harness.
- NO >> Repair the harness between the CAN gateway harness connector M125 and the harness connector M28.

A
B
C
D
E
F
G
H
I
J
K
L
N
O
P

LAN

CGW BRANCH LINE CIRCUIT (CAN COMMUNICATION CIRCUIT 2)

< DTC/CIRCUIT DIAGNOSIS >

[CAN SYSTEM (TYPE 10)]

CGW BRANCH LINE CIRCUIT (CAN COMMUNICATION CIRCUIT 2)

Diagnosis Procedure

INFOID:000000007205641

1. CHECK DTC

Check DTC of the CAN gateway with CONSULT.

Is U1010 or B2600 indicated?

- YES >> Perform a diagnosis of the indicated DTC.
- NO >> GO TO 2.

2. CHECK CONNECTOR

1. Turn the ignition switch OFF.
2. Disconnect the battery cable from the negative terminal.
3. Check the following terminals and connectors for damage, bend and loose connection (unit side and connector side).
 - CAN gateway
 - Harness connector M23 and PCB harness side connector

Is the inspection result normal?

- YES >> GO TO 3.
- NO >> Repair the terminal and connector.

3. CHECK HARNESS CONTINUITY (OPEN CIRCUIT)

1. Disconnect the connector of CAN gateway.
2. Check the continuity between the CAN gateway harness connector terminals.

CAN gateway harness connector			Continuity
Connector No.	Terminal No.		
M125	4	6	Existed
	10	12	Existed

Is the inspection result normal?

- YES >> GO TO 4.
- NO >> GO TO 5.

4. CHECK POWER SUPPLY AND GROUND CIRCUIT

Check the power supply and the ground circuit of the CAN gateway. Refer to [LAN-122, "Diagnosis Procedure"](#).

Is the inspection result normal?

- YES (Present error)>>Replace the CAN gateway. Refer to [LAN-123, "Removal and Installation"](#).
- YES (Past error)>>Error was detected in the CAN gateway branch line (CAN communication circuit 2 side). Refer to [LAN-47, "System Diagram"](#).
- NO >> Repair the power supply and the ground circuit.

5. CHECK HARNESS CONTINUITY (OPEN CIRCUIT)

1. Disconnect the harness connector M23.
2. Check the continuity between the CAN gateway harness connector and the harness connector.

CAN gateway harness connector		Harness connector		Continuity
Connector No.	Terminal No.	Connector No.	Terminal No.	
M125	4	M23	133	Existed
	10		135	Existed

Is the inspection result normal?

- YES >> Replace the PCB harness.
- NO >> Repair the harness between the CAN gateway harness connector M125 and the harness connector M23.

HVAC BRANCH LINE CIRCUIT

< DTC/CIRCUIT DIAGNOSIS >

[CAN SYSTEM (TYPE 10)]

HVAC BRANCH LINE CIRCUIT

Diagnosis Procedure

INFOID:000000006889028

1. CHECK CONNECTOR

1. Turn the ignition switch OFF.
2. Disconnect the battery cable from the negative terminal.
3. Check the following terminals and connectors for damage, bend and loose connection (unit side and connector side).
 - A/C auto amp.
 - Harness connector M28 and PCB harness side connector

Is the inspection result normal?

YES >> GO TO 2.

NO >> Repair the terminal and connector.

2. CHECK HARNESS FOR OPEN CIRCUIT

1. Disconnect the connector of A/C auto amp.
2. Check the resistance between the A/C auto amp. harness connector terminals.

A/C auto amp. harness connector			Resistance (Ω)
Connector No.	Terminal No.		
M66	12	11	Approx. 54 – 66

Is the measurement value within the specification?

YES >> GO TO 3.

NO >> GO TO 4.

3. CHECK POWER SUPPLY AND GROUND CIRCUIT

Check the power supply and the ground circuit of the A/C auto amp. Refer to [HAC-156. "A/C AUTO AMP. : Diagnosis Procedure"](#).

Is the inspection result normal?

YES (Present error)>>Replace the A/C auto amp. Refer to [HAC-190. "Removal and Installation"](#).

YES (Past error)>>Error was detected in the A/C auto amp. branch line.

NO >> Repair the power supply and the ground circuit.

4. CHECK HARNESS CONTINUITY (OPEN CIRCUIT)

1. Disconnect the harness connector M28.
2. Check the continuity between the A/C auto amp. harness connector and the harness connector.

A/C auto amp. harness connector		Harness connector		Continuity
Connector No.	Terminal No.	Connector No.	Terminal No.	
M66	12	M28	325	Existed
	11		327	Existed

Is the inspection result normal?

YES >> Replace the PCB harness.

NO >> Repair the harness between the A/C auto amp. harness connector M66 and the harness connector M28.

TCM BRANCH LINE CIRCUIT

< DTC/CIRCUIT DIAGNOSIS >

[CAN SYSTEM (TYPE 10)]

TCM BRANCH LINE CIRCUIT

Diagnosis Procedure

INFOID:000000007205681

1. CHECK CONNECTOR

1. Turn the ignition switch OFF.
2. Disconnect the battery cable from the negative terminal.
3. Check the following terminals and connectors for damage, bend and loose connection (unit side and connector side).
 - A/T assembly
 - Harness connector F103
 - Harness connector M116
 - Harness connector M28 and PCB harness side connector

Is the inspection result normal?

YES >> GO TO 2.

NO >> Repair the terminal and connector.

2. CHECK HARNESS FOR OPEN CIRCUIT

1. Disconnect the connector of A/T assembly.
2. Check the resistance between the A/T assembly harness connector terminals.

A/T assembly harness connector		Resistance (Ω)
Connector No.	Terminal No.	
F61	3 8	Approx. 54 – 66

Is the measurement value within the specification?

YES >> GO TO 3.

NO >> GO TO 5.

3. CHECK HARNESS FOR OPEN CIRCUIT

1. Remove the joint connector. Refer to [TM-181, "Exploded View"](#).
2. Check the continuity between the A/T assembly harness connector side and the TCM harness connector side of the joint connector.

A/T assembly harness connector side	TCM harness connector side	Continuity
Terminal No.	Terminal No.	
3	3	Existed
8	8	Existed

Is the inspection result normal?

YES >> GO TO 4.

NO >> Replace the joint connector.

4. CHECK POWER SUPPLY AND GROUND CIRCUIT

Check the power supply and the ground circuit of the TCM. Refer to [TM-150, "Diagnosis Procedure"](#).

Is the inspection result normal?

YES (Present error)>>Replace the control valve & TCM. Refer to [TM-181, "Exploded View"](#).

YES (Past error)>>Error was detected in the TCM branch line.

NO >> Repair the power supply and the ground circuit.

5. CHECK HARNESS CONTINUITY (OPEN CIRCUIT)

1. Disconnect the harness connector M28.
2. Check the continuity between the A/T assembly harness connector and the harness connector.

TCM BRANCH LINE CIRCUIT

< DTC/CIRCUIT DIAGNOSIS >

[CAN SYSTEM (TYPE 10)]

A/T assembly harness connector		Harness connector		Continuity
Connector No.	Terminal No.	Connector No.	Terminal No.	
F61	3	M28	346	Existed
	8		347	Existed

Is the inspection result normal?

YES >> Replace the PCB harness.

NO >> Repair the harness between the A/T assembly harness connector F61 and the harness connector M28.

A
B
C
D
E
F
G
H
I
J
K
L
N
O
P

LAN

A-BAG BRANCH LINE CIRCUIT

< DTC/CIRCUIT DIAGNOSIS >

[CAN SYSTEM (TYPE 10)]

A-BAG BRANCH LINE CIRCUIT

Diagnosis Procedure

INFOID:000000006889030

WARNING:

- Before servicing, turn ignition switch OFF, disconnect battery negative terminal, and wait 3 minutes or more. (To discharge backup capacitor.)
- Never use unspecified tester or other measuring device.

1. CHECK CONNECTOR

1. Turn the ignition switch OFF.
2. Disconnect the battery cable from the negative terminal.
3. Check the following terminals and connectors for damage, bend and loose connection (unit side and connector side).
 - Air bag diagnosis sensor unit
 - Harness connector M26 and PCB harness side connector

Is the inspection result normal?

- YES >> GO TO 2.
NO >> Replace the main harness and/or the PCB harness.

2. CHECK AIR BAG DIAGNOSIS SENSOR UNIT

Check the air bag diagnosis sensor unit. Refer to [SRC-24. "Work Flow"](#).

Is the inspection result normal?

- YES >> Replace the main harness and/or the PCB harness.
NO >> Replace parts whose air bag system has a malfunction.

AV BRANCH LINE CIRCUIT

< DTC/CIRCUIT DIAGNOSIS >

[CAN SYSTEM (TYPE 10)]

AV BRANCH LINE CIRCUIT

Diagnosis Procedure

INFOID:000000006889031

1. CHECK CONNECTOR

1. Turn the ignition switch OFF.
2. Disconnect the battery cable from the negative terminal.
3. Check the following terminals and connectors for damage, bend and loose connection (unit side and connector side).
 - AV control unit
 - Harness connector M25 and PCB harness side connector

Is the inspection result normal?

YES >> GO TO 2.

NO >> Repair the terminal and connector.

2. CHECK HARNESS FOR OPEN CIRCUIT

1. Disconnect the connector of AV control unit.
2. Check the resistance between the AV control unit harness connector terminals.
 - Models with navigation system

AV control unit harness connector			Resistance (Ω)
Connector No.	Terminal No.		
M210	90	74	Approx. 54 – 66

- Models without navigation system

AV control unit harness connector			Resistance (Ω)
Connector No.	Terminal No.		
M84	81	80	Approx. 54 – 66

Is the measurement value within the specification?

YES >> GO TO 3.

NO >> GO TO 4.

3. CHECK POWER SUPPLY AND GROUND CIRCUIT

Check the power supply and the ground circuit of the AV control unit. Refer to the following.

- Base audio without navigation system: [AV-72, "AV CONTROL UNIT : Diagnosis Procedure"](#)
- BOSE audio with navigation system: [AV-236, "AV CONTROL UNIT : Diagnosis Procedure"](#)

Is the inspection result normal?

YES (Present error)>>Replace the AV control unit. Refer to the following.

- Base audio without navigation system: [AV-103, "Removal and Installation"](#)
- BOSE audio with navigation system: [AV-263, "Removal and Installation"](#)

YES (Past error)>>Error was detected in the AV control unit branch line.

NO >> Repair the power supply and the ground circuit.

4. CHECK HARNESS CONTINUITY (OPEN CIRCUIT)

1. Disconnect the harness connector M25.
2. Check the continuity between the AV control unit harness connector and the harness connector.
 - Models with navigation system

AV control unit harness connector		Harness connector		Continuity
Connector No.	Terminal No.	Connector No.	Terminal No.	
M210	90	M25	201	Existed
	74		221	Existed

- Models without navigation system

AV BRANCH LINE CIRCUIT

< DTC/CIRCUIT DIAGNOSIS >

[CAN SYSTEM (TYPE 10)]

AV control unit harness connector		Harness connector		Continuity
Connector No.	Terminal No.	Connector No.	Terminal No.	
M84	81	M25	201	Existed
	80		221	Existed

Is the inspection result normal?

YES >> Replace the PCB harness.

NO (With navigation system)>>Repair the harness between the AV control unit harness connector M210 and the harness connector M25.

NO (Without navigation system)>>Repair the harness between the AV control unit harness connector M84 and the harness connector M25.

M&A BRANCH LINE CIRCUIT

< DTC/CIRCUIT DIAGNOSIS >

[CAN SYSTEM (TYPE 10)]

M&A BRANCH LINE CIRCUIT

Diagnosis Procedure

INFOID:000000006889032

1.CHECK CONNECTOR

1. Turn the ignition switch OFF.
2. Disconnect the battery cable from the negative terminal.
3. Check the following terminals and connectors for damage, bend and loose connection (unit side and connector side).
 - Combination meter
 - Harness connector M24 and PCB harness side connector

Is the inspection result normal?

YES >> GO TO 2.

NO >> Repair the terminal and connector.

2.CHECK HARNESS FOR OPEN CIRCUIT

1. Disconnect the connector of combination meter.
2. Check the resistance between the combination meter harness connector terminals.

Combination meter harness connector			Resistance (Ω)
Connector No.	Terminal No.		
M53	14	15	Approx. 54 – 66

Is the measurement value within the specification?

YES >> GO TO 3.

NO >> GO TO 4.

3.CHECK POWER SUPPLY AND GROUND CIRCUIT

Check the power supply and the ground circuit of the combination meter Refer to [MWI-59. "COMBINATION METER : Diagnosis Procedure"](#).

Is the inspection result normal?

YES (Present error)>>Replace the combination meter. Refer to [MWI-79. "Removal and Installation"](#).

YES (Past error)>>Error was detected in the combination meter branch line.

NO >> Repair the power supply and the ground circuit.

4.CHECK HARNESS CONTINUITY (OPEN CIRCUIT)

1. Disconnect the harness connector M24.
2. Check the continuity between the combination meter harness connector and the harness connector.

Combination meter harness connector		Harness connector		Continuity
Connector No.	Terminal No.	Connector No.	Terminal No.	
M53	14	M24	176	Existed
	15		177	Existed

Is the inspection result normal?

YES >> Replace the PCB harness.

NO >> Repair the harness between the combination meter harness connector M53 and the harness connector M24.

A
B
C
D
E
F
G
H
I
J
K
L
N
O
P

LAN

DLC BRANCH LINE CIRCUIT (CAN COMMUNICATION CIRCUIT 1)

< DTC/CIRCUIT DIAGNOSIS >

[CAN SYSTEM (TYPE 10)]

DLC BRANCH LINE CIRCUIT (CAN COMMUNICATION CIRCUIT 1)

Diagnosis Procedure

INFOID:000000007205682

1. CHECK CONNECTOR

1. Turn the ignition switch OFF.
2. Disconnect the battery cable from the negative terminal.
3. Check the following terminals and connectors for damage, bend and loose connection (unit side and connector side).
 - Data link connector
 - Harness connector M181
 - Harness connector M105
 - Harness connector M23 and PCB harness side connector

Is the inspection result normal?

YES >> GO TO 2.

NO >> Repair the terminal and connector.

2. CHECK HARNESS FOR OPEN CIRCUIT

Check the resistance between the data link connector terminals.

Data link connector			Resistance (Ω)
Connector No.	Terminal No.		
M182	6	14	Approx. 54 – 66

Is the measurement value within the specification?

YES (Present error)>>Check CAN system type decision again.

YES (Past error)>>Error was detected in the data link connector branch line circuit (CAN communication circuit 1 side). Refer to [LAN-47, "System Diagram"](#).

NO >> GO TO 3.

3. CHECK HARNESS CONTINUITY (OPEN CIRCUIT)

1. Disconnect the harness connector M23.
2. Check the continuity between the data link connector and the harness connector.

Data link connector		Harness connector		Continuity
Connector No.	Terminal No.	Connector No.	Terminal No.	
M182	6	M23	151	Existed
	14		150	Existed

Is the inspection result normal?

YES >> Replace the PCB harness.

NO >> Repair the harness between the data link connector M182 and the harness connector M23.

DLC BRANCH LINE CIRCUIT (CAN COMMUNICATION CIRCUIT 2)

< DTC/CIRCUIT DIAGNOSIS >

[CAN SYSTEM (TYPE 10)]

DLC BRANCH LINE CIRCUIT (CAN COMMUNICATION CIRCUIT 2)

Diagnosis Procedure

INFOID:000000007205683

1. CHECK CONNECTOR

1. Turn the ignition switch OFF.
2. Disconnect the battery cable from the negative terminal.
3. Check the following terminals and connectors for damage, bend and loose connection (unit side and connector side).
 - Data link connector
 - Harness connector M181
 - Harness connector M105
 - Harness connector M23 and PCB harness side connector

Is the inspection result normal?

YES >> GO TO 2.

NO >> Repair the terminal and connector.

2. CHECK HARNESS FOR OPEN CIRCUIT

Check the resistance between the data link connector terminals.

Data link connector			Resistance (Ω)
Connector No.	Terminal No.		
M182	13	12	Approx. 54 – 66

Is the measurement value within the specification?

YES (Present error)>>Check CAN system type decision again.

YES (Past error)>>Error was detected in the data link connector branch line circuit (CAN communication circuit 2 side). Refer to [LAN-47, "System Diagram"](#).

NO >> GO TO 3.

3. CHECK HARNESS CONTINUITY (OPEN CIRCUIT)

1. Disconnect the harness connector M23.
2. Check the continuity between the data link connector and the harness connector.

Data link connector		Harness connector		Continuity
Connector No.	Terminal No.	Connector No.	Terminal No.	
M182	13	M23	140	Existed
	12		139	Existed

Is the inspection result normal?

YES >> Replace the PCB harness.

NO >> Repair the harness between the data link connector M182 and the harness connector M23.

LAN

BCM BRANCH LINE CIRCUIT

< DTC/CIRCUIT DIAGNOSIS >

[CAN SYSTEM (TYPE 10)]

BCM BRANCH LINE CIRCUIT

Diagnosis Procedure

INFOID:000000006889034

1. CHECK CONNECTOR

1. Turn the ignition switch OFF.
2. Disconnect the battery cable from the negative terminal.
3. Check the following terminals and connectors for damage, bend and loose connection (unit side and connector side).
 - BCM
 - Harness connector M22 and PCB harness side connector

Is the inspection result normal?

- YES >> GO TO 2.
NO >> Repair the terminal and connector.

2. CHECK HARNESS FOR OPEN CIRCUIT

1. Disconnect the connector of BCM.
2. Check the resistance between the BCM harness connector terminals.

BCM harness connector			Resistance (Ω)
Connector No.	Terminal No.		
M120	39	40	Approx. 54 – 66

Is the measurement value within the specification?

- YES >> GO TO 3.
NO >> GO TO 4.

3. CHECK POWER SUPPLY AND GROUND CIRCUIT

Check the power supply and the ground circuit of the BCM. Refer to [BCS-75. "Diagnosis Procedure"](#).

Is the inspection result normal?

- YES (Present error)>>Replace the BCM. Refer to [BCS-82. "Removal and Installation"](#).
YES (Past error)>>Error was detected in the BCM branch line.
NO >> Repair the power supply and the ground circuit.

4. CHECK HARNESS CONTINUITY (OPEN CIRCUIT)

1. Disconnect the harness connector M22.
2. Check the continuity between the BCM harness connector and the harness connector.

BCM harness connector		Harness connector		Continuity
Connector No.	Terminal No.	Connector No.	Terminal No.	
M120	39	M22	101	Existed
	40		102	Existed

Is the inspection result normal?

- YES >> Replace the PCB harness.
NO >> Repair the harness between the BCM harness connector M120 and the harness connector M22.

STRG BRANCH LINE CIRCUIT

< DTC/CIRCUIT DIAGNOSIS >

[CAN SYSTEM (TYPE 10)]

STRG BRANCH LINE CIRCUIT

Diagnosis Procedure

INFOID:000000006889035

1.CHECK CONNECTOR

1. Turn the ignition switch OFF.
2. Disconnect the battery cable from the negative terminal.
3. Check the following terminals and connectors for damage, bend and loose connection (unit side and connector side).
 - Steering angle sensor
 - Harness connector M22 and PCB harness side connector

Is the inspection result normal?

YES >> GO TO 2.

NO >> Repair the terminal and connector.

2.CHECK HARNESS FOR OPEN CIRCUIT

1. Disconnect the connector of steering angle sensor.
2. Check the resistance between the steering angle sensor harness connector terminals.

Steering angle sensor harness connector			Resistance (Ω)
Connector No.	Terminal No.		
M37	1	2	Approx. 54 – 66

Is the measurement value within the specification?

YES >> GO TO 3.

NO >> GO TO 4.

3.CHECK POWER SUPPLY AND GROUND CIRCUIT

Check the power supply and the ground circuit of the steering angle sensor. Refer to [BRC-53. "Wiring Diagram"](#).

Is the inspection result normal?

YES (Present error)>>Replace the steering angle sensor. Refer to [BRC-144. "Removal and Installation"](#).

YES (Past error)>>Error was detected in the steering angle sensor branch line.

NO >> Repair the power supply and the ground circuit.

4.CHECK HARNESS CONTINUITY (OPEN CIRCUIT)

1. Disconnect the harness connector M22.
2. Check the continuity between the steering angle sensor harness connector and the harness connector.

Steering angle sensor harness connector		Harness connector		Continuity
Connector No.	Terminal No.	Connector No.	Terminal No.	
M37	1	M22	81	Existed
	2		82	Existed

Is the inspection result normal?

YES >> Replace the PCB harness.

NO >> Repair the harness between the steering angle sensor harness connector M37 and the harness connector M22.

4WD BRANCH LINE CIRCUIT

< DTC/CIRCUIT DIAGNOSIS >

[CAN SYSTEM (TYPE 10)]

4WD BRANCH LINE CIRCUIT

Diagnosis Procedure

INFOID:000000006889036

1. CHECK CONNECTOR

1. Turn the ignition switch OFF.
2. Disconnect the battery cable from the negative terminal.
3. Check the terminals and connectors of the AWD control unit for damage, bend and loose connection (unit side and connector side).

Is the inspection result normal?

- YES >> GO TO 2.
NO >> Repair the terminal and connector.

2. CHECK HARNESS FOR OPEN CIRCUIT

1. Disconnect the connector of AWD control unit.
2. Check the resistance between the AWD control unit harness connector terminals.

AWD control unit harness connector			Resistance (Ω)
Connector No.	Terminal No.		
B17	8	16	Approx. 54 – 66

Is the measurement value within the specification?

- YES >> GO TO 3.
NO >> Repair the AWD control unit branch line.

3. CHECK POWER SUPPLY AND GROUND CIRCUIT

Check the power supply and the ground circuit of the AWD control unit. Refer to [DLN-42, "Diagnosis Procedure"](#).

Is the inspection result normal?

- YES (Present error)>>Replace the AWD control unit. Refer to [DLN-54, "Removal and Installation"](#).
YES (Past error)>>Error was detected in the AWD control unit branch line.
NO >> Repair the power supply and the ground circuit.

ABS BRANCH LINE CIRCUIT

< DTC/CIRCUIT DIAGNOSIS >

[CAN SYSTEM (TYPE 10)]

ABS BRANCH LINE CIRCUIT

Diagnosis Procedure

INFOID:000000006889037

1. CHECK CONNECTOR

1. Turn the ignition switch OFF.
2. Disconnect the battery cable from the negative terminal.
3. Check the terminals and connectors of the ABS actuator and electric unit (control unit) for damage, bend and loose connection (unit side and connector side).

Is the inspection result normal?

- YES >> GO TO 2.
NO >> Repair the terminal and connector.

2. CHECK HARNESS FOR OPEN CIRCUIT

1. Disconnect the connector of ABS actuator and electric unit (control unit).
2. Check the resistance between the ABS actuator and electric unit (control unit) harness connector terminals.

ABS actuator and electric unit (control unit) harness connector			Resistance (Ω)
Connector No.	Terminal No.		
E41	25	15	Approx. 54 – 66

Is the measurement value within the specification?

- YES >> GO TO 3.
NO >> Repair the ABS actuator and electric unit (control unit) branch line.

3. CHECK POWER SUPPLY AND GROUND CIRCUIT

Check the power supply and the ground circuit of the ABS actuator and electric unit (control unit). Refer to [BRC-119, "Diagnosis Procedure"](#).

Is the inspection result normal?

- YES (Present error)>>Replace the ABS actuator and electric unit (control unit). Refer to [BRC-141, "Removal and Installation"](#).
YES (Past error)>>Error was detected in the ABS actuator and electric unit (control unit) branch line.
NO >> Repair the power supply and the ground circuit.

A
B
C
D
E
F
G
H
I
J
K
L

LAN

AFS BRANCH LINE CIRCUIT

< DTC/CIRCUIT DIAGNOSIS >

[CAN SYSTEM (TYPE 10)]

AFS BRANCH LINE CIRCUIT

Diagnosis Procedure

INFOID:000000006889038

1. CHECK CONNECTOR

1. Turn the ignition switch OFF.
2. Disconnect the battery cable from the negative terminal.
3. Check the terminals and connectors of the AFS control unit for damage, bend and loose connection (unit side and connector side).

Is the inspection result normal?

- YES >> GO TO 2.
NO >> Repair the terminal and connector.

2. CHECK HARNESS FOR OPEN CIRCUIT

1. Disconnect the connector of AFS control unit.
2. Check the resistance between the AFS control unit harness connector terminals.

AFS control unit harness connector			Resistance (Ω)
Connector No.	Terminal No.		
E104	30	7	Approx. 54 – 66

Is the measurement value within the specification?

- YES >> GO TO 3.
NO >> Repair the AFS control unit branch line.

3. CHECK POWER SUPPLY AND GROUND CIRCUIT

Check the power supply and the ground circuit of the AFS control unit. Refer to [EXL-72, "AFS CONTROL UNIT : Diagnosis Procedure"](#).

Is the inspection result normal?

- YES (Present error)>>Replace the AFS control unit. Refer to [EXL-114, "Removal and Installation"](#).
YES (Past error)>>Error was detected in the AFS control unit branch line.
NO >> Repair the power supply and the ground circuit.

IPDM-E BRANCH LINE CIRCUIT

< DTC/CIRCUIT DIAGNOSIS >

[CAN SYSTEM (TYPE 10)]

IPDM-E BRANCH LINE CIRCUIT

Diagnosis Procedure

INFOID:000000006889039

1. CHECK CONNECTOR

1. Turn the ignition switch OFF.
2. Disconnect the battery cable from the negative terminal.
3. Check the terminals and connectors of the IPDM E/R for damage, bend and loose connection (unit side and connector side).

Is the inspection result normal?

- YES >> GO TO 2.
NO >> Repair the terminal and connector.

2. CHECK HARNESS FOR OPEN CIRCUIT

1. Disconnect the connector of IPDM E/R.
2. Check the resistance between the IPDM E/R harness connector terminals.

IPDM E/R harness connector			Resistance (Ω)
Connector No.	Terminal No.		
E6	40	39	Approx. 108 – 132

Is the measurement value within the specification?

- YES >> GO TO 3.
NO >> Repair the IPDM E/R branch line.

3. CHECK POWER SUPPLY AND GROUND CIRCUIT

Check the power supply and the ground circuit of the IPDM E/R. Refer to [PCS-32, "Diagnosis Procedure"](#).

Is the inspection result normal?

- YES (Present error)>>Replace the IPDM E/R. Refer to [PCS-33, "Removal and Installation"](#).
YES (Past error)>>Error was detected in the IPDM E/R branch line.
NO >> Repair the power supply and the ground circuit.

A
B
C
D
E
F
G
H
I
J
K
L

LAN

N
O
P

ADP BRANCH LINE CIRCUIT

< DTC/CIRCUIT DIAGNOSIS >

[CAN SYSTEM (TYPE 10)]

ADP BRANCH LINE CIRCUIT

Diagnosis Procedure

INFOID:000000007205684

1. CHECK CONNECTOR

1. Turn the ignition switch OFF.
2. Disconnect the battery cable from the negative terminal.
3. Check the following terminals and connectors for damage, bend and loose connection (unit side and connector side).
 - Driver seat control unit
 - Harness connector B501
 - Harness connector B11
 - CAN gateway (With ICC system)

Is the inspection result normal?

YES (With ICC system)>>GO TO 2.

YES (Without ICC system)>>GO TO 3.

NO >> Repair the terminal and connector.

2. CHECK HARNESS CONTINUITY (OPEN CIRCUIT)

1. Disconnect the connector of CAN gateway.
2. Check the continuity between the CAN gateway harness connector terminals.

CAN gateway harness connector			Continuity
Connector No.	Terminal No.		
M125	4	6	Existed
	10	12	Existed

Is the inspection result normal?

YES >> GO TO 3.

NO >> Check the harness and repair or replace (if shield line is open) the root cause (CAN communication circuit 2 side). Refer to [LAN-47, "System Diagram"](#).

3. CHECK HARNESS FOR OPEN CIRCUIT

1. Connect the connector of CAN gateway. (With ICC system)
2. Disconnect the connector of driver seat control unit.
3. Check the resistance between the driver seat control unit harness connector terminals.

Driver seat control unit harness connector			Resistance (Ω)
Connector No.	Terminal No.		
B514	23	24	Approx. 54 – 66

Is the measurement value within the specification?

YES >> GO TO 4.

NO >> Repair the driver seat control unit branch line.

4. CHECK POWER SUPPLY AND GROUND CIRCUIT

Check the power supply and the ground circuit of the driver seat control unit. Refer to [ADP-61, "DRIVER SEAT CONTROL UNIT : Diagnosis Procedure"](#).

Is the inspection result normal?

YES (Present error)>>Replace the driver seat control unit. Refer to [ADP-134, "Removal and Installation"](#).

YES (Past error)>>Error was detected in the driver seat control unit branch line.

NO >> Repair the power supply and the ground circuit.

ICC BRANCH LINE CIRCUIT

Diagnosis Procedure

INFOID:000000007205685

1. CHECK CONNECTOR

1. Turn the ignition switch OFF.
2. Disconnect the battery cable from the negative terminal.
3. Check the following terminals and connectors for damage, bend and loose connection (unit side and connector side).
 - ADAS control unit
 - CAN gateway

Is the inspection result normal?

- YES >> GO TO 2.
 NO >> Repair the terminal and connector.

2. CHECK HARNESS CONTINUITY (OPEN CIRCUIT)

1. Disconnect the connector of CAN gateway.
2. Check the continuity between the CAN gateway harness connector terminals.

CAN gateway harness connector		Continuity
Connector No.	Terminal No.	
M125	4	6
	10	12
		Existed
		Existed

Is the inspection result normal?

- YES >> GO TO 3.
 NO >> Check the harness and repair or replace (if shield line is open) the root cause (CAN communication circuit 2 side). Refer to [LAN-47, "System Diagram"](#).

3. CHECK HARNESS FOR OPEN CIRCUIT

1. Connect the connector of CAN gateway.
2. Disconnect the connector of ADAS control unit.
3. Check the resistance between the ADAS control unit harness connector terminals.

ADAS control unit harness connector		Resistance (Ω)
Connector No.	Terminal No.	
B50	14	15
		Approx. 54 – 66

Is the measurement value within the specification?

- YES >> GO TO 4.
 NO >> Replace the body harness.

4. CHECK POWER SUPPLY AND GROUND CIRCUIT

Check the power supply and the ground circuit of the ADAS control unit. Refer to [DAS-54, "Diagnosis Procedure"](#).

Is the inspection result normal?

- YES (Present error)>>Replace the ADAS control unit. Refer to [DAS-55, "Removal and Installation"](#).
 YES (Past error)>>Error was detected in the ADAS control unit branch line.
 NO >> Repair the power supply and the ground circuit.

A
B
C
D
E
F
G
H
I
J
K
L
N
O
P

LAN

PSB BRANCH LINE CIRCUIT

Diagnosis Procedure

INFOID:000000007205686

1.CHECK CONNECTOR

1. Turn the ignition switch OFF.
2. Disconnect the battery cable from the negative terminal.
3. Check the following terminals and connectors for damage, bend and loose connection (unit side and connector side).
 - Pre-crash seat belt control unit (driver side)
 - CAN gateway

Is the inspection result normal?

- YES >> GO TO 2.
 NO >> Repair the terminal and connector.

2.CHECK HARNESS CONTINUITY (OPEN CIRCUIT)

1. Disconnect the connector of CAN gateway.
2. Check the continuity between the CAN gateway harness connector terminals.

CAN gateway harness connector		Continuity	
Connector No.	Terminal No.		
M125	4	6	Existed
	10	12	Existed

Is the inspection result normal?

- YES >> GO TO 3.
 NO >> Check the harness and repair or replace (if shield line is open) the root cause (CAN communication circuit 2 side). Refer to [LAN-47, "System Diagram"](#).

3.CHECK HARNESS FOR OPEN CIRCUIT

1. Connect the connector of CAN gateway.
2. Disconnect the connector of pre-crash seat belt control unit (driver side).
3. Check the resistance between the pre-crash seat belt control unit (driver side) harness connector terminals.

Pre-crash seat belt control unit (driver side) harness connector		Resistance (Ω)	
Connector No.	Terminal No.		
B9	14	4	Approx. 54 – 66

Is the measurement value within the specification?

- YES >> GO TO 4.
 NO >> Repair the pre-crash seat belt control unit (driver side) branch line.

4.CHECK POWER SUPPLY AND GROUND CIRCUIT

Check the power supply and the ground circuit of the pre-crash seat belt control unit (driver side). Refer to [SBC-46, "Diagnosis Procedure"](#).

Is the inspection result normal?

- YES (Present error)>>Replace the seat belt pre-tensioner retractor (driver side). Refer to [SB-7, "SEAT BELT RETRACTOR : Removal and Installation"](#).
 YES (Past error)>>Error was detected in the pre-crash seat belt control unit (driver side) branch line.
 NO >> Repair the power supply and the ground circuit.

RDR-L BRANCH LINE CIRCUIT

< DTC/CIRCUIT DIAGNOSIS >

[CAN SYSTEM (TYPE 10)]

RDR-L BRANCH LINE CIRCUIT

Diagnosis Procedure

INFOID:000000006889043

1. CHECK CONNECTOR

1. Turn the ignition switch OFF.
2. Disconnect the battery cable from the negative terminal.
3. Check the terminals and connectors of the side radar LH for damage, bend and loose connection (unit side and connector side).

Is the inspection result normal?

- YES >> GO TO 2.
NO >> Repair the terminal and connector.

2. CHECK HARNESS FOR OPEN CIRCUIT

1. Disconnect the connector of side radar LH.
2. Check the resistance between the side radar LH harness connector terminals.

Side radar LH harness connector			Resistance (Ω)
Connector No.	Terminal No.		
B52	4	3	Approx. 54 – 66

Is the measurement value within the specification?

- YES >> GO TO 3.
NO >> Repair the side radar LH branch line.

3. CHECK POWER SUPPLY AND GROUND CIRCUIT

Check the power supply and the ground circuit of the side radar LH. Refer to [DAS-511, "SIDE RADAR LH: Diagnosis Procedure"](#).

Is the inspection result normal?

- YES (Present error)>>Replace the side radar LH. Refer to [DAS-528, "Removal and Installation"](#).
YES (Past error)>>Error was detected in the side radar LH branch line.
NO >> Repair the power supply and the ground circuit.

A
B
C
D
E
F
G
H
I
J
K
L

LAN

N
O
P

RDR-R BRANCH LINE CIRCUIT

< DTC/CIRCUIT DIAGNOSIS >

[CAN SYSTEM (TYPE 10)]

RDR-R BRANCH LINE CIRCUIT

Diagnosis Procedure

INFOID:000000006889044

1. CHECK CONNECTOR

1. Turn the ignition switch OFF.
2. Disconnect the battery cable from the negative terminal.
3. Check the terminals and connectors of the side radar RH for damage, bend and loose connection (unit side and connector side).

Is the inspection result normal?

- YES >> GO TO 2.
NO >> Repair the terminal and connector.

2. CHECK RIGHT/LEFT SWITCHING SIGNAL CIRCUIT

Check the right/left switching signal circuit of the side radar RH. Refer to [DAS-514. "Diagnosis Procedure"](#).

Is the inspection result normal?

- YES >> GO TO 3.
NO >> Repair the root cause.

3. CHECK HARNESS FOR OPEN CIRCUIT

1. Disconnect the connector of side radar RH.
2. Check the resistance between the side radar RH harness connector terminals.

Side radar RH harness connector			Resistance (Ω)
Connector No.	Terminal No.		
B252	4	3	Approx. 54 – 66

Is the measurement value within the specification?

- YES >> GO TO 4.
NO >> Repair the side radar RH branch line.

4. CHECK POWER SUPPLY AND GROUND CIRCUIT

Check the power supply and the ground circuit of the side radar RH. Refer to [DAS-512. "SIDE RADAR RH : Diagnosis Procedure"](#).

Is the inspection result normal?

- YES (Present error)>>Replace the side radar RH. Refer to [DAS-528. "Removal and Installation"](#).
YES (Past error)>>Error was detected in the side radar RH branch line.
NO >> Repair the power supply and the ground circuit.

APA BRANCH LINE CIRCUIT

< DTC/CIRCUIT DIAGNOSIS >

[CAN SYSTEM (TYPE 10)]

APA BRANCH LINE CIRCUIT

Diagnosis Procedure

INFOID:000000006889045

1. CHECK CONNECTOR

1. Turn the ignition switch OFF.
2. Disconnect the battery cable from the negative terminal.
3. Check the following terminals and connectors for damage, bend and loose connection (unit side and connector side).
 - Accelerator pedal actuator
 - Harness connector M151
 - Harness connector M150
 - Harness connector M23 and PCB harness side connector

Is the inspection result normal?

YES >> GO TO 2.

NO >> Repair the terminal and connector.

2. CHECK HARNESS FOR OPEN CIRCUIT

1. Disconnect the connector of accelerator pedal actuator.
2. Check the resistance between the accelerator pedal actuator harness connector terminals.

Accelerator pedal actuator harness connector			Resistance (Ω)
Connector No.	Terminal No.		
M152	5	4	Approx. 54 – 66

Is the measurement value within the specification?

YES >> GO TO 3.

NO >> GO TO 4.

3. CHECK POWER SUPPLY AND GROUND CIRCUIT

Check the power supply and the ground circuit of the accelerator pedal actuator. Refer to [DAS-178, "ACCELERATOR PEDAL ACTUATOR : Diagnosis Procedure"](#).

Is the inspection result normal?

YES (Present error)>>Replace the accelerator pedal assembly. Refer to [ACC-4, "MODELS WITH DISTANCE CONTROL ASSIST SYSTEM : Removal and Installation"](#).

YES (Past error)>>Error was detected in the accelerator pedal actuator branch line.

NO >> Repair the power supply and the ground circuit.

4. CHECK HARNESS CONTINUITY (OPEN CIRCUIT)

1. Disconnect the harness connector M23.
2. Check the continuity between the accelerator pedal actuator harness connector and the harness connector.

Accelerator pedal actuator harness connector		Harness connector		Continuity
Connector No.	Terminal No.	Connector No.	Terminal No.	
M152	5	M23	138	Existed
	4		137	Existed

Is the inspection result normal?

YES >> Replace the PCB harness.

NO >> Repair the harness between the accelerator pedal actuator harness connector M152 and the harness connector M23.

LANE BRANCH LINE CIRCUIT

< DTC/CIRCUIT DIAGNOSIS >

[CAN SYSTEM (TYPE 10)]

LANE BRANCH LINE CIRCUIT

Diagnosis Procedure

INFOID:000000006889046

1. CHECK CONNECTOR

1. Turn the ignition switch OFF.
2. Disconnect the battery cable from the negative terminal.
3. Check the following terminals and connectors for damage, bend and loose connection (unit side and connector side).
 - Lane camera unit
 - Harness connector R7
 - Harness connector M110
 - Harness connector M24 and PCB harness side connector

Is the inspection result normal?

YES >> GO TO 2.

NO >> Repair the terminal and connector.

2. CHECK HARNESS FOR OPEN CIRCUIT

1. Disconnect the connector of lane camera unit.
2. Check the resistance between the lane camera unit harness connector terminals.

Lane camera unit harness connector			Resistance (Ω)
Connector No.	Terminal No.		
R8	4	8	Approx. 54 – 66

Is the measurement value within the specification?

YES >> GO TO 3.

NO >> GO TO 4.

3. CHECK POWER SUPPLY AND GROUND CIRCUIT

Check the power supply and the ground circuit of the lane camera unit. Refer to [DAS-355, "LANE CAMERA UNIT : Diagnosis Procedure"](#).

Is the inspection result normal?

YES (Present error)>>Replace the lane camera unit. Refer to [DAS-371, "Removal and Installation"](#).

YES (Past error)>>Error was detected in the lane camera unit branch line.

NO >> Repair the power supply and the ground circuit.

4. CHECK HARNESS CONTINUITY (OPEN CIRCUIT)

1. Disconnect the harness connector M24.
2. Check the continuity between the lane camera unit harness connector and the harness connector.

Lane camera unit harness connector		Harness connector		Continuity
Connector No.	Terminal No.	Connector No.	Terminal No.	
R8	4	M24	179	Existed
	8		178	Existed

Is the inspection result normal?

YES >> Replace the PCB harness.

NO >> Repair the harness between the lane camera unit harness connector R8 and the harness connector M24.

LASER BRANCH LINE CIRCUIT

< DTC/CIRCUIT DIAGNOSIS >

[CAN SYSTEM (TYPE 10)]

LASER BRANCH LINE CIRCUIT

Diagnosis Procedure

INFOID:000000006889047

1. CHECK CONNECTOR

1. Turn the ignition switch OFF.
2. Disconnect the battery cable from the negative terminal.
3. Check the following terminals and connectors for damage, bend and loose connection (unit side and connector side).
 - ICC sensor
 - Harness connector E106
 - Harness connector M6
 - Harness connector M28 and PCB harness side connector

Is the inspection result normal?

YES >> GO TO 2.

NO >> Repair the terminal and connector.

2. CHECK HARNESS FOR OPEN CIRCUIT

1. Disconnect the connector of ICC sensor.
2. Check the resistance between the ICC sensor harness connector terminals.

ICC sensor harness connector			Resistance (Ω)
Connector No.	Terminal No.		
E67	3	6	Approx. 108 – 132

Is the measurement value within the specification?

YES >> GO TO 3.

NO >> GO TO 4.

3. CHECK POWER SUPPLY AND GROUND CIRCUIT

Check the power supply and the ground circuit of the ICC sensor. Refer to [CCS-152, "ICC SENSOR : Diagnosis Procedure"](#).

Is the inspection result normal?

YES (Present error)>>Replace the ICC sensor. Refer to [CCS-170, "Removal and Installation"](#).

YES (Past error)>>Error was detected in the ICC sensor branch line.

NO >> Repair the power supply and the ground circuit.

4. CHECK HARNESS CONTINUITY (OPEN CIRCUIT)

1. Disconnect the harness connector M28.
2. Check the continuity between the ICC sensor harness connector and the harness connector.

ICC sensor harness connector		Harness connector		Continuity
Connector No.	Terminal No.	Connector No.	Terminal No.	
E67	3	M28	343	Existed
	6		345	Existed

Is the inspection result normal?

YES >> Replace the PCB harness.

NO >> Repair the harness between the ICC sensor harness connector E67 and the harness connector M28.

A
B
C
D
E
F
G
H
I
J
K
L

LAN

N
O
P

CAN COMMUNICATION CIRCUIT 1

< DTC/CIRCUIT DIAGNOSIS >

[CAN SYSTEM (TYPE 10)]

CAN COMMUNICATION CIRCUIT 1

Diagnosis Procedure

INFOID:000000006889048

1. CONNECTOR INSPECTION

1. Turn the ignition switch OFF.
2. Disconnect the battery cable from the negative terminal.
3. Disconnect all the unit connectors on CAN communication circuit 1.

NOTE:

For identification of CAN communication circuit 1, CAN communication circuit 2, and ITS communication circuit, refer to [LAN-47. "System Diagram"](#).

4. Check terminals and connectors for damage, bend and loose connection.

Is the inspection result normal?

YES >> GO TO 2.

NO >> Repair the terminal and connector.

2. CHECK HARNESS CONTINUITY (SHORT CIRCUIT)

Check the continuity between the data link connector terminals.

Data link connector		Continuity
Connector No.	Terminal No.	
M182	6 14	Not existed

Is the inspection result normal?

YES >> GO TO 3.

NO >> Check the harness and repair or replace (if shield line or PCB harness is short) the root cause.

3. CHECK HARNESS CONTINUITY (SHORT CIRCUIT)

Check the continuity between the data link connector and the ground.

Data link connector		Ground	Continuity
Connector No.	Terminal No.		
M182	6		Not existed
	14		Not existed

Is the inspection result normal?

YES >> GO TO 4.

NO >> Check the harness and repair or replace (if shield line or PCB harness is short) the root cause.

4. CHECK ECM AND IPDM E/R TERMINATION CIRCUIT

1. Remove the ECM and the IPDM E/R.
2. Check the resistance between the ECM terminals.
 - VQ37VHR

ECM		Resistance (Ω)
Terminal No.		
114	113	Approx. 108 – 132

- VK56VD

ECM		Resistance (Ω)
Terminal No.		
146	151	Approx. 108 – 132

3. Check the resistance between the IPDM E/R terminals.

CAN COMMUNICATION CIRCUIT 1

< DTC/CIRCUIT DIAGNOSIS >

[CAN SYSTEM (TYPE 10)]

IPDM E/R		Resistance (Ω)
Terminal No.		
40	39	Approx. 108 – 132

Is the measurement value within the specification?

YES >> GO TO 5.

NO >> Replace the ECM and/or the IPDM E/R.

5.CHECK SYMPTOM

Connect all the connectors. Check if the symptoms described in the “Symptom (Results from interview with customer)” are reproduced.

Inspection result

Reproduced>>GO TO 6.

Non-reproduced>>Start the diagnosis again. Follow the trouble diagnosis procedure when past error is detected.

6.CHECK UNIT REPRODUCTION

Perform the reproduction test as per the following procedure for each unit.

1. Turn the ignition switch OFF.
2. Disconnect the battery cable from the negative terminal.
3. Disconnect one of the unit connectors of CAN communication circuit 1.

NOTE:

ECM and IPDM E/R have a termination circuit. Check other units first.

4. Connect the battery cable to the negative terminal. Check if the symptoms described in the “Symptom (Results from interview with customer)” are reproduced.

NOTE:

Although unit-related error symptoms occur, do not confuse them with other symptoms.

Inspection result

Reproduced>>Connect the connector. Check other units as per the above procedure.

Non-reproduced>>Replace the unit whose connector was disconnected.

A
B
C
D
E
F
G
H
I
J
K
L

LAN

N
O
P

CAN COMMUNICATION CIRCUIT 2

< DTC/CIRCUIT DIAGNOSIS >

[CAN SYSTEM (TYPE 10)]

CAN COMMUNICATION CIRCUIT 2

Diagnosis Procedure

INFOID:000000006889049

1.CONNECTOR INSPECTION

1. Turn the ignition switch OFF.
2. Disconnect the battery cable from the negative terminal.
3. Disconnect all the unit connectors on CAN communication circuit 2.

NOTE:

For identification of CAN communication circuit 1, CAN communication circuit 2, and ITS communication circuit, refer to [LAN-47. "System Diagram"](#).

4. Check terminals and connectors for damage, bend and loose connection.

Is the inspection result normal?

YES >> GO TO 2.

NO >> Repair the terminal and connector.

2.CHECK HARNESS CONTINUITY (SHORT CIRCUIT)

Check the continuity between the data link connector terminals.

Data link connector		Continuity
Connector No.	Terminal No.	
M182	13	Not existed
	12	

Is the inspection result normal?

YES >> GO TO 3.

NO >> Check the harness and repair or replace (if shield line or PCB harness is short) the root cause.

3.CHECK HARNESS CONTINUITY (SHORT CIRCUIT)

Check the continuity between the data link connector and the ground.

Data link connector		Ground	Continuity
Connector No.	Terminal No.		
M182	13		Not existed
	12		Not existed

Is the inspection result normal?

YES >> GO TO 4.

NO >> Check the harness and repair or replace (if shield line or PCB harness is short) the root cause.

4.CHECK CAN GATEWAY TERMINATION CIRCUIT

1. Remove the CAN gateway.
2. Check the resistance between the CAN gateway terminals.

CAN gateway		Resistance (Ω)
Terminal No.		
4	10	Approx. 108 – 132
6	12	Approx. 108 – 132

Is the measurement value within the specification?

YES >> GO TO 5.

NO >> Replace the CAN gateway.

5.CHECK SYMPTOM

Connect all the connectors. Check if the symptoms described in the "Symptom (Results from interview with customer)" are reproduced.

Inspection result

Reproduced>>GO TO 6.

CAN COMMUNICATION CIRCUIT 2

< DTC/CIRCUIT DIAGNOSIS >

[CAN SYSTEM (TYPE 10)]

Non-reproduced>>Start the diagnosis again. Follow the trouble diagnosis procedure when past error is detected.

6.CHECK UNIT REPRODUCTION

Perform the reproduction test as per the following procedure for each unit.

1. Turn the ignition switch OFF.
2. Disconnect the battery cable from the negative terminal.
3. Disconnect one of the unit connectors of CAN communication circuit 2.

NOTE:

CAN gateway has two termination circuits. Check other units first.

4. Connect the battery cable to the negative terminal. Check if the symptoms described in the "Symptom (Results from interview with customer)" are reproduced.

NOTE:

Although unit-related error symptoms occur, do not confuse them with other symptoms.

Inspection result

Reproduced>>Connect the connector. Check other units as per the above procedure.

Non-reproduced>>Replace the unit whose connector was disconnected.

A
B
C
D
E
F
G
H
I
J
K
L

LAN

N
O
P

ITS COMMUNICATION CIRCUIT

< DTC/CIRCUIT DIAGNOSIS >

[CAN SYSTEM (TYPE 10)]

ITS COMMUNICATION CIRCUIT

Diagnosis Procedure

INFOID:000000007205687

1. CHECK CAN DIAGNOSIS

Check the CAN diagnosis results from CONSULT to see that the CAN communication circuit 1 and CAN communication circuit 2 have no malfunction.

NOTE:

For identification of CAN communication circuit 1, CAN communication circuit 2, and ITS communication circuit, refer to [LAN-47. "System Diagram"](#).

Are the CAN communication 1 and CAN communication 2 circuits normal?

YES >> GO TO 2.

NO >> Check and repair CAN communication circuit 1 and/or CAN communication circuit 2.

2. CONNECTOR INSPECTION

1. Turn the ignition switch OFF.
2. Disconnect the battery cable from the negative terminal.
3. Check the terminals and connectors of the ADAS control unit for damage, bend and loose connection (unit side and connector side).

Is the inspection result normal?

YES >> GO TO 3.

NO >> Repair the terminal and connector.

3. CHECK HARNESS CONTINUITY (OPEN CIRCUIT)

1. Disconnect the following harness connectors.
 - ADAS control unit
 - ICC sensor
2. Check the continuity between the ADAS control unit harness connector and the ICC sensor harness connector.

ADAS control unit harness connector		ICC sensor harness connector		Continuity
Connector No.	Terminal No.	Connector No.	Terminal No.	
B50	7	E67	3	Existed
	8		6	Existed

Is the inspection result normal?

YES >> GO TO 4.

NO >> Replace the body harness.

4. CHECK HARNESS CONTINUITY (SHORT CIRCUIT)

1. Disconnect the following harness connectors.
 - Side radar LH
 - Side radar RH
 - Accelerator pedal actuator
 - Lane camera unit
2. Check the continuity between the ADAS control unit harness connector terminals.

ADAS control unit harness connector			Continuity
Connector No.	Terminal No.		
B50	7	8	Not existed

Is the inspection result normal?

YES >> GO TO 5.

NO >> Check the harness and repair or replace (if shield line or PCB harness is short) the root cause.

5. CHECK HARNESS CONTINUITY (SHORT CIRCUIT)

Check the continuity between the ADAS control unit harness connector and the ground.

ITS COMMUNICATION CIRCUIT

< DTC/CIRCUIT DIAGNOSIS >

[CAN SYSTEM (TYPE 10)]

ADAS control unit harness connector		Ground	Continuity
Connector No.	Terminal No.		
B50	7		
	8		Not existed

A
B

Is the inspection result normal?

YES >> GO TO 6.

NO >> Check the harness and repair or replace (if shield line or PCB harness is short) the root cause.

C

6.CHECK TERMINATION CIRCUIT

1. Remove the ADAS control unit and the ICC sensor.
2. Check the resistance between the ADAS control unit terminals.

D

ADAS control unit		Resistance (Ω)
Terminal No.		
7	8	Approx. 108 – 132

E
F

3. Check the resistance between the ICC sensor terminals.

ICC sensor		Resistance (Ω)
Terminal No.		
3	6	Approx. 108 – 132

G
H

Is the inspection result normal?

YES >> GO TO 7.

NO >> Replace the ADAS control unit and/or the ICC sensor.

I

7.CHECK SYMPTOM

Connect all the connectors. Check if the symptoms described in the “Symptom (Results from interview with customer)” are reproduced.

J

Inspection result

Reproduced>>GO TO 8.

Non-reproduced>>Start the diagnosis again. Follow the trouble diagnosis procedure when past error is detected.

K

8.CHECK UNIT REPRODUCTION

Perform the reproduction test as per the following procedure for each unit.

L

1. Turn the ignition switch OFF.
2. Disconnect the battery cable from the negative terminal.
3. Disconnect one of the unit connectors of ITS communication system.

NOTE:

ADAS control unit and ICC sensor have a termination circuit. Check other units first.

4. Connect the battery cable to the negative terminal. Check if the symptoms described in the “Symptom (Results from interview with customer)” are reproduced.

N

NOTE:

Although unit-related error symptoms occur, do not confuse them with other symptoms.

O

Inspection result

Reproduced>>Connect the connector. Check other units as per the above procedure.

Non-reproduced>>Replace the unit whose connector was disconnected.

P

LAN

MAIN LINE BETWEEN TPMS AND HVAC CIRCUIT

< DTC/CIRCUIT DIAGNOSIS >

[CAN SYSTEM (TYPE 11)]

DTC/CIRCUIT DIAGNOSIS

MAIN LINE BETWEEN TPMS AND HVAC CIRCUIT

Diagnosis Procedure

INFOID:000000006889051

1. CHECK HARNESS CONTINUITY (OPEN CIRCUIT)

1. Turn the ignition switch OFF.
2. Disconnect the battery cable from the negative terminal.
3. Disconnect the following harness connectors.
 - ECM
 - Low tire pressure warning control unit
 - A/C auto amp.
4. Check the continuity between the low tire pressure warning control unit harness connector and the A/C auto amp. harness connector.

Low tire pressure warning control unit harness connector		A/C auto amp. harness connector		Continuity
Connector No.	Terminal No.	Connector No.	Terminal No.	
M43	2	M66	12	Existed
	1		11	Existed

Is the inspection result normal?

YES (Present error)>>Check CAN system type decision again.

YES (Past error)>>Error was detected in the main line between the low tire pressure warning control unit and the A/C auto amp.

NO >> Replace the PCB harness.

MAIN LINE BETWEEN HVAC AND A-BAG CIRCUIT

< DTC/CIRCUIT DIAGNOSIS >

[CAN SYSTEM (TYPE 11)]

MAIN LINE BETWEEN HVAC AND A-BAG CIRCUIT

Diagnosis Procedure

INFOID:000000006889052

1. CHECK HARNESS CONTINUITY (OPEN CIRCUIT)

1. Turn the ignition switch OFF.
2. Disconnect the battery cable from the negative terminal.
3. Disconnect the following harness connectors.
 - ECM
 - A/C auto amp.
 - AV control unit
4. Check the continuity between the A/C auto amp. harness connector and the AV control unit harness connector.
 - Models with navigation system

A/C auto amp. harness connector		AV control unit harness connector		Continuity
Connector No.	Terminal No.	Connector No.	Terminal No.	
M66	12	M210	90	Existed
	11		74	Existed

- Models without navigation system

A/C auto amp. harness connector		AV control unit harness connector		Continuity
Connector No.	Terminal No.	Connector No.	Terminal No.	
M66	12	M84	81	Existed
	11		80	Existed

Is the inspection result normal?

YES (Present error)>>Check CAN system type decision again.

YES (Past error)>>Error was detected in the main line between the A/C auto amp. and the air bag diagnosis sensor unit.

NO >> Replace the PCB harness.

A
B
C
D
E
F
G
H
I
J
K
L

LAN

N
O
P

MAIN LINE BETWEEN A-BAG AND AV CIRCUIT

< DTC/CIRCUIT DIAGNOSIS >

[CAN SYSTEM (TYPE 11)]

MAIN LINE BETWEEN A-BAG AND AV CIRCUIT

Diagnosis Procedure

INFOID:000000006889053

1. CHECK HARNESS CONTINUITY (OPEN CIRCUIT)

1. Turn the ignition switch OFF.
2. Disconnect the battery cable from the negative terminal.
3. Disconnect the following harness connectors.
 - ECM
 - A/C auto amp.
 - AV control unit
4. Check the continuity between the A/C auto amp. harness connector and the AV control unit harness connector.
 - Models with navigation system

A/C auto amp. harness connector		AV control unit harness connector		Continuity
Connector No.	Terminal No.	Connector No.	Terminal No.	
M66	12	M210	90	Existed
	11		74	Existed

- Models without navigation system

A/C auto amp. harness connector		AV control unit harness connector		Continuity
Connector No.	Terminal No.	Connector No.	Terminal No.	
M66	12	M84	81	Existed
	11		80	Existed

Is the inspection result normal?

YES (Present error)>>Check CAN system type decision again.

YES (Past error)>>Error was detected in the main line between the air bag diagnosis sensor unit and the AV control unit.

NO >> Replace the PCB harness.

MAIN LINE BETWEEN AV AND M&A CIRCUIT

< DTC/CIRCUIT DIAGNOSIS >

[CAN SYSTEM (TYPE 11)]

MAIN LINE BETWEEN AV AND M&A CIRCUIT

Diagnosis Procedure

INFOID:000000006889054

1. CHECK HARNESS CONTINUITY (OPEN CIRCUIT)

1. Turn the ignition switch OFF.
2. Disconnect the battery cable from the negative terminal.
3. Disconnect the following harness connectors.
 - ECM
 - AV control unit
 - Combination meter
4. Check the continuity between the AV control unit harness connector and the combination meter harness connector.
 - Models with navigation system

AV control unit harness connector		Combination meter harness connector		Continuity
Connector No.	Terminal No.	Connector No.	Terminal No.	
M210	90	M53	14	Existed
	74		15	Existed

- Models without navigation system

AV control unit harness connector		Combination meter harness connector		Continuity
Connector No.	Terminal No.	Connector No.	Terminal No.	
M84	81	M53	14	Existed
	80		15	Existed

Is the inspection result normal?

YES (Present error)>>Check CAN system type decision again.

YES (Past error)>>Error was detected in the main line between the AV control unit and the combination meter.

NO >> Replace the PCB harness.

A
B
C
D
E
F
G
H
I
J
K
L

LAN

N
O
P

MAIN LINE BETWEEN M&A AND DLC CIRCUIT

< DTC/CIRCUIT DIAGNOSIS >

[CAN SYSTEM (TYPE 11)]

MAIN LINE BETWEEN M&A AND DLC CIRCUIT

Diagnosis Procedure

INFOID:000000006889055

1. CHECK HARNESS CONTINUITY (OPEN CIRCUIT)

1. Turn the ignition switch OFF.
2. Disconnect the battery cable from the negative terminal.
3. Disconnect the following harness connectors.
 - ECM
 - Combination meter
 - Harness connectors M105 and M181
4. Check the continuity between the combination meter harness connector and the harness connector.

Combination meter harness connector		Harness connector		Continuity
Connector No.	Terminal No.	Connector No.	Terminal No.	
M53	14	M105	7	Existed
	15		8	Existed

Is the inspection result normal?

YES (Present error)>>Check CAN system type decision again.

YES (Past error)>>Error was detected in the main line between the combination meter and the data link connector.

NO >> Replace the PCB harness.

MAIN LINE BETWEEN DLC AND BCM CIRCUIT

< DTC/CIRCUIT DIAGNOSIS >

[CAN SYSTEM (TYPE 11)]

MAIN LINE BETWEEN DLC AND BCM CIRCUIT

Diagnosis Procedure

INFOID:000000006889056

1. CHECK HARNESS CONTINUITY (OPEN CIRCUIT)

1. Turn the ignition switch OFF.
2. Disconnect the battery cable from the negative terminal.
3. Disconnect the following harness connectors.
 - ECM
 - Harness connectors M181 and M105
 - BCM
4. Check the continuity between the harness connector and the BCM harness connector.

Harness connector		BCM harness connector		Continuity
Connector No.	Terminal No.	Connector No.	Terminal No.	
M105	7	M120	39	Existed
	8		40	Existed

Is the inspection result normal?

YES (Present error)>>Check CAN system type decision again.

YES (Past error)>>Error was detected in the main line between the data link connector and the BCM.

NO >> Replace the PCB harness.

A
B
C
D
E
F
G
H
I
J
K
L

LAN

N
O
P

MAIN LINE BETWEEN BCM AND 4WD CIRCUIT

< DTC/CIRCUIT DIAGNOSIS >

[CAN SYSTEM (TYPE 11)]

MAIN LINE BETWEEN BCM AND 4WD CIRCUIT

Diagnosis Procedure

INFOID:000000006889057

1. CHECK CONNECTOR

1. Turn the ignition switch OFF.
2. Disconnect the battery cable from the negative terminal.
3. Check the following terminals and connectors for damage, bend and loose connection (connector side and harness side).
 - Harness connector M20 and PCB harness side connector
 - Harness connector M7
 - Harness connector B1

Is the inspection result normal?

YES >> GO TO 2.

NO >> Repair the terminal and connector.

2. CHECK HARNESS CONTINUITY (OPEN CIRCUIT)

1. Disconnect the following harness connectors.
 - BCM
 - Harness connector M20
2. Check the continuity between the BCM harness connector and the PCB harness connector.

BCM harness connector		PCB harness connector		Continuity
Connector No.	Terminal No.	Terminal No.		
M120	39	35		Existed
	40	36		Existed

Is the inspection result normal?

YES >> GO TO 3.

NO >> Replace the PCB harness.

3. CHECK HARNESS CONTINUITY (OPEN CIRCUIT)

1. Disconnect the harness connectors M7 and B1.
2. Check the continuity between the harness connectors.

Harness connector		Harness connector		Continuity
Connector No.	Terminal No.	Connector No.	Terminal No.	
M20	35	M7	72	Existed
	36		73	Existed

Is the inspection result normal?

YES >> GO TO 4.

NO >> Repair the main line between the harness connectors M20 and M7.

4. CHECK HARNESS CONTINUITY (OPEN CIRCUIT)

Check the continuity between the harness connector terminals.

Connector No.	Terminal No.		Continuity
B1	72	74	Existed
	73	75	Existed

Is the inspection result normal?

YES (Present error)>>Check CAN system type decision again.

YES (Past error)>>Error was detected in the main line between the BCM and the AWD control unit.

NO >> Replace the body harness.

MAIN LINE BETWEEN 4WD AND ABS CIRCUIT

< DTC/CIRCUIT DIAGNOSIS >

[CAN SYSTEM (TYPE 11)]

MAIN LINE BETWEEN 4WD AND ABS CIRCUIT

Diagnosis Procedure

INFOID:000000006889058

1. CHECK CONNECTOR

1. Turn the ignition switch OFF.
2. Disconnect the battery cable from the negative terminal.
3. Check the following terminals and connectors for damage, bend and loose connection (connector side and harness side).
 - Harness connector B1
 - Harness connector M7
 - Harness connector M6
 - Harness connector E106

Is the inspection result normal?

YES >> GO TO 2.

NO >> Repair the terminal and connector.

2. CHECK HARNESS CONTINUITY (OPEN CIRCUIT)

1. Disconnect the harness connectors B1 and M7.
2. Check the continuity between the harness connector terminals.

Connector No.	Terminal No.		Continuity
B1	72	74	Existed
	73	75	Existed

Is the inspection result normal?

YES >> GO TO 3.

NO >> Replace the body harness.

3. CHECK HARNESS CONTINUITY (OPEN CIRCUIT)

1. Disconnect the harness connectors M6 and E106.
2. Check the continuity between the harness connectors.

Harness connector		Harness connector		Continuity
Connector No.	Terminal No.	Connector No.	Terminal No.	
M7	74	M6	22	Existed
	75		23	Existed

Is the inspection result normal?

YES >> GO TO 4.

NO >> Repair the main line between the harness connectors M7 and M6.

4. CHECK HARNESS CONTINUITY (OPEN CIRCUIT)

1. Disconnect the connector of ABS actuator and electric unit (control unit).
2. Check the continuity between the harness connector and the ABS actuator and electric unit (control unit) harness connector.

Harness connector		ABS actuator and electric unit (control unit) harness connector		Continuity
Connector No.	Terminal No.	Connector No.	Terminal No.	
E106	22	E41	25	Existed
	23		15	Existed

Is the inspection result normal?

YES (Present error)>>Check CAN system type decision again.

YES (Past error)>>Error was detected in the main line between the AWD control unit and the ABS actuator and electric unit (control unit).

A
B
C
D
E
F
G
H
I
J
K
L

LAN

N
O
P

MAIN LINE BETWEEN 4WD AND ABS CIRCUIT

< DTC/CIRCUIT DIAGNOSIS >

[CAN SYSTEM (TYPE 11)]

NO >> Repair the main line between the harness connector E106 and the ABS actuator and electric unit (control unit).

ECM BRANCH LINE CIRCUIT

< DTC/CIRCUIT DIAGNOSIS >

[CAN SYSTEM (TYPE 11)]

ECM BRANCH LINE CIRCUIT

Diagnosis Procedure

INFOID:000000007217843

1. CHECK CONNECTOR

1. Turn the ignition switch OFF.
2. Disconnect the battery cable from the negative terminal.
3. Check the following terminals and connectors for damage, bend and loose connection (unit side and connector side).
 - ECM
 - Harness connector M30 and PCB harness side connector

Is the inspection result normal?

YES >> GO TO 2.

NO >> Repair the terminal and connector.

2. CHECK HARNESS FOR OPEN CIRCUIT

1. Disconnect the connector of ECM.
2. Check the resistance between the ECM harness connector terminals.
 - VQ37VHR

ECM harness connector			Resistance (Ω)
Connector No.	Terminal No.		
M107	114	113	Approx. 108 – 132

- VK56VD

ECM harness connector			Resistance (Ω)
Connector No.	Terminal No.		
M160	146	151	Approx. 108 – 132

Is the measurement value within the specification?

YES >> GO TO 3.

NO >> GO TO 4.

3. CHECK POWER SUPPLY AND GROUND CIRCUIT

Check the power supply and the ground circuit of the ECM. Refer to the following.

- VQ37VHR for USA and Canada: [EC-180, "Diagnosis Procedure"](#)
- VQ37VHR for Mexico: [EC-682, "Diagnosis Procedure"](#)
- VK56VD for USA and Canada: [EC-1149, "Diagnosis Procedure"](#)
- VK56VD for Mexico: [EC-1707, "Diagnosis Procedure"](#)

Is the inspection result normal?

YES (Present error)>>Replace the ECM. Refer to the following.

- VQ37VHR for USA and Canada: [EC-543, "Removal and Installation"](#)
- VQ37VHR for Mexico: [EC-980, "Removal and Installation"](#)
- VK56VD for USA and Canada: [EC-1553, "Removal and Installation"](#)
- VK56VD for Mexico: [EC-2013, "Removal and Installation"](#)

YES (Past error)>>Error was detected in the ECM branch line.

NO >> Repair the power supply and the ground circuit.

4. CHECK HARNESS CONTINUITY (OPEN CIRCUIT)

1. Disconnect the harness connector M30.
2. Check the continuity between the ECM harness connector and the harness connector.
 - VQ37VHR

ECM harness connector		Harness connector		Continuity
Connector No.	Terminal No.	Connector No.	Terminal No.	

ECM BRANCH LINE CIRCUIT

< DTC/CIRCUIT DIAGNOSIS >

[CAN SYSTEM (TYPE 11)]

M107	114	M30	439	Existed
	113		438	Existed

- VK56VD

ECM harness connector		Harness connector		Continuity
Connector No.	Terminal No.	Connector No.	Terminal No.	
M160	146	M30	439	Existed
	151		438	Existed

Is the inspection result normal?

YES >> Replace the PCB harness.

NO (VQ37VHR)>>Repair the harness between the ECM harness connector M107 and the harness connector M30.

NO (VK56VD)>>Repair the harness between the ECM harness connector M160 and the harness connector M30.

TPMS BRANCH LINE CIRCUIT

< DTC/CIRCUIT DIAGNOSIS >

[CAN SYSTEM (TYPE 11)]

TPMS BRANCH LINE CIRCUIT

Diagnosis Procedure

INFOID:000000007217844

1. CHECK CONNECTOR

1. Turn the ignition switch OFF.
2. Disconnect the battery cable from the negative terminal.
3. Check the following terminals and connectors for damage, bend and loose connection (unit side and connector side).
 - Low tire pressure warning control unit
 - Harness connector M29 and PCB harness side connector

Is the inspection result normal?

- YES >> GO TO 2.
NO >> Repair the terminal and connector.

2. CHECK HARNESS FOR OPEN CIRCUIT

1. Disconnect the connector of low tire pressure warning control unit.
2. Check the resistance between the low tire pressure warning control unit harness connector terminals.

Low tire pressure warning control unit harness connector			Resistance (Ω)
Connector No.	Terminal No.		
M43	2	1	Approx. 54 – 66

Is the measurement value within the specification?

- YES >> GO TO 3.
NO >> GO TO 4.

3. CHECK POWER SUPPLY AND GROUND CIRCUIT

Check the power supply and the ground circuit of the low tire pressure warning control unit. Refer to [WT-43. "Diagnosis Procedure"](#).

Is the inspection result normal?

- YES (Present error)>>Replace the low tire pressure warning control unit. Refer to [WT-58. "Removal and Installation"](#).
YES (Past error)>>Error was detected in the low tire pressure warning control unit branch line.
NO >> Repair the power supply and the ground circuit.

4. CHECK HARNESS CONTINUITY (OPEN CIRCUIT)

1. Disconnect the harness connector M29.
2. Check the continuity between the low tire pressure warning control unit harness connector and the harness connector.

Low tire pressure warning control unit harness connector		Harness connector		Continuity
Connector No.	Terminal No.	Connector No.	Terminal No.	
M43	2	M29	396	Existed
	1		395	Existed

Is the inspection result normal?

- YES >> Replace the PCB harness.
NO >> Repair the harness between the low tire pressure warning control unit harness connector M43 and the harness connector M29.

A
B
C
D
E
F
G
H
I
J
K
L
N
O
P

LAN

HVAC BRANCH LINE CIRCUIT

< DTC/CIRCUIT DIAGNOSIS >

[CAN SYSTEM (TYPE 11)]

HVAC BRANCH LINE CIRCUIT

Diagnosis Procedure

INFOID:000000006889061

1. CHECK CONNECTOR

1. Turn the ignition switch OFF.
2. Disconnect the battery cable from the negative terminal.
3. Check the following terminals and connectors for damage, bend and loose connection (unit side and connector side).
 - A/C auto amp.
 - Harness connector M28 and PCB harness side connector

Is the inspection result normal?

YES >> GO TO 2.

NO >> Repair the terminal and connector.

2. CHECK HARNESS FOR OPEN CIRCUIT

1. Disconnect the connector of A/C auto amp.
2. Check the resistance between the A/C auto amp. harness connector terminals.

A/C auto amp. harness connector			Resistance (Ω)
Connector No.	Terminal No.		
M66	12	11	Approx. 54 – 66

Is the measurement value within the specification?

YES >> GO TO 3.

NO >> GO TO 4.

3. CHECK POWER SUPPLY AND GROUND CIRCUIT

Check the power supply and the ground circuit of the A/C auto amp. Refer to [HAC-156, "A/C AUTO AMP. : Diagnosis Procedure"](#).

Is the inspection result normal?

YES (Present error)>>Replace the A/C auto amp. Refer to [HAC-190, "Removal and Installation"](#).

YES (Past error)>>Error was detected in the A/C auto amp. branch line.

NO >> Repair the power supply and the ground circuit.

4. CHECK HARNESS CONTINUITY (OPEN CIRCUIT)

1. Disconnect the harness connector M28.
2. Check the continuity between the A/C auto amp. harness connector and the harness connector.

A/C auto amp. harness connector		Harness connector		Continuity
Connector No.	Terminal No.	Connector No.	Terminal No.	
M66	12	M28	325	Existed
	11		327	Existed

Is the inspection result normal?

YES >> Replace the PCB harness.

NO >> Repair the harness between the A/C auto amp. harness connector M66 and the harness connector M28.

TCM BRANCH LINE CIRCUIT

< DTC/CIRCUIT DIAGNOSIS >

[CAN SYSTEM (TYPE 11)]

TCM BRANCH LINE CIRCUIT

Diagnosis Procedure

INFOID:000000007205688

1. CHECK CONNECTOR

1. Turn the ignition switch OFF.
2. Disconnect the battery cable from the negative terminal.
3. Check the following terminals and connectors for damage, bend and loose connection (unit side and connector side).
 - A/T assembly
 - Harness connector F103
 - Harness connector M116
 - Harness connector M28 and PCB harness side connector

Is the inspection result normal?

YES >> GO TO 2.

NO >> Repair the terminal and connector.

2. CHECK HARNESS FOR OPEN CIRCUIT

1. Disconnect the connector of A/T assembly.
2. Check the resistance between the A/T assembly harness connector terminals.

A/T assembly harness connector		Resistance (Ω)
Connector No.	Terminal No.	
F61	3 8	Approx. 54 – 66

Is the measurement value within the specification?

YES >> GO TO 3.

NO >> GO TO 5.

3. CHECK HARNESS FOR OPEN CIRCUIT

1. Remove the joint connector. Refer to [TM-181, "Exploded View"](#).
2. Check the continuity between the A/T assembly harness connector side and the TCM harness connector side of the joint connector.

A/T assembly harness connector side	TCM harness connector side	Continuity
Terminal No.	Terminal No.	
3	3	Existed
8	8	Existed

Is the inspection result normal?

YES >> GO TO 4.

NO >> Replace the joint connector.

4. CHECK POWER SUPPLY AND GROUND CIRCUIT

Check the power supply and the ground circuit of the TCM. Refer to [TM-150, "Diagnosis Procedure"](#).

Is the inspection result normal?

YES (Present error)>>Replace the control valve & TCM. Refer to [TM-181, "Exploded View"](#).

YES (Past error)>>Error was detected in the TCM branch line.

NO >> Repair the power supply and the ground circuit.

5. CHECK HARNESS CONTINUITY (OPEN CIRCUIT)

1. Disconnect the harness connector M28.
2. Check the continuity between the A/T assembly harness connector and the harness connector.

A
B
C
D
E
F
G
H
I
J
K
L
N
O
P

LAN

TCM BRANCH LINE CIRCUIT

< DTC/CIRCUIT DIAGNOSIS >

[CAN SYSTEM (TYPE 11)]

A/T assembly harness connector		Harness connector		Continuity
Connector No.	Terminal No.	Connector No.	Terminal No.	
F61	3	M28	346	Existed
	8		347	Existed

Is the inspection result normal?

YES >> Replace the PCB harness.

NO >> Repair the harness between the A/T assembly harness connector F61 and the harness connector M28.

A-BAG BRANCH LINE CIRCUIT

< DTC/CIRCUIT DIAGNOSIS >

[CAN SYSTEM (TYPE 11)]

A-BAG BRANCH LINE CIRCUIT

Diagnosis Procedure

INFOID:000000006889063

WARNING:

- Before servicing, turn ignition switch OFF, disconnect battery negative terminal, and wait 3 minutes or more. (To discharge backup capacitor.)
- Never use unspecified tester or other measuring device.

1. CHECK CONNECTOR

1. Turn the ignition switch OFF.
2. Disconnect the battery cable from the negative terminal.
3. Check the following terminals and connectors for damage, bend and loose connection (unit side and connector side).
 - Air bag diagnosis sensor unit
 - Harness connector M26 and PCB harness side connector

Is the inspection result normal?

- YES >> GO TO 2.
NO >> Replace the main harness and/or the PCB harness.

2. CHECK AIR BAG DIAGNOSIS SENSOR UNIT

Check the air bag diagnosis sensor unit. Refer to [SRC-24. "Work Flow"](#).

Is the inspection result normal?

- YES >> Replace the main harness and/or the PCB harness.
NO >> Replace parts whose air bag system has a malfunction.

A
B
C
D
E
F
G
H
I
J
K
L
N
O
P

LAN

AV BRANCH LINE CIRCUIT

< DTC/CIRCUIT DIAGNOSIS >

[CAN SYSTEM (TYPE 11)]

AV BRANCH LINE CIRCUIT

Diagnosis Procedure

INFOID:000000006889064

1. CHECK CONNECTOR

1. Turn the ignition switch OFF.
2. Disconnect the battery cable from the negative terminal.
3. Check the following terminals and connectors for damage, bend and loose connection (unit side and connector side).
 - AV control unit
 - Harness connector M25 and PCB harness side connector

Is the inspection result normal?

- YES >> GO TO 2.
NO >> Repair the terminal and connector.

2. CHECK HARNESS FOR OPEN CIRCUIT

1. Disconnect the connector of AV control unit.
2. Check the resistance between the AV control unit harness connector terminals.
 - Models with navigation system

AV control unit harness connector			Resistance (Ω)
Connector No.	Terminal No.		
M210	90	74	Approx. 54 – 66

- Models without navigation system

AV control unit harness connector			Resistance (Ω)
Connector No.	Terminal No.		
M84	81	80	Approx. 54 – 66

Is the measurement value within the specification?

- YES >> GO TO 3.
NO >> GO TO 4.

3. CHECK POWER SUPPLY AND GROUND CIRCUIT

Check the power supply and the ground circuit of the AV control unit. Refer to the following.

- Base audio without navigation system: [AV-72. "AV CONTROL UNIT : Diagnosis Procedure"](#)
- BOSE audio with navigation system: [AV-236. "AV CONTROL UNIT : Diagnosis Procedure"](#)

Is the inspection result normal?

- YES (Present error)>>Replace the AV control unit. Refer to the following.
- Base audio without navigation system: [AV-103. "Removal and Installation"](#)
 - BOSE audio with navigation system: [AV-263. "Removal and Installation"](#)

YES (Past error)>>Error was detected in the AV control unit branch line.

- NO >> Repair the power supply and the ground circuit.

4. CHECK HARNESS CONTINUITY (OPEN CIRCUIT)

1. Disconnect the harness connector M25.
2. Check the continuity between the AV control unit harness connector and the harness connector.
 - Models with navigation system

AV control unit harness connector		Harness connector		Continuity
Connector No.	Terminal No.	Connector No.	Terminal No.	
M210	90	M25	201	Existed
	74		221	Existed

- Models without navigation system

AV BRANCH LINE CIRCUIT

< DTC/CIRCUIT DIAGNOSIS >

[CAN SYSTEM (TYPE 11)]

AV control unit harness connector		Harness connector		Continuity
Connector No.	Terminal No.	Connector No.	Terminal No.	
M84	81	M25	201	Existed
	80		221	Existed

Is the inspection result normal?

YES >> Replace the PCB harness.

NO (With navigation system)>>Repair the harness between the AV control unit harness connector M210 and the harness connector M25.

NO (Without navigation system)>>Repair the harness between the AV control unit harness connector M84 and the harness connector M25.

A
B
C
D
E
F
G
H
I
J
K
L

LAN

N
O
P

M&A BRANCH LINE CIRCUIT

Diagnosis Procedure

INFOID:000000006889065

1. CHECK CONNECTOR

1. Turn the ignition switch OFF.
2. Disconnect the battery cable from the negative terminal.
3. Check the following terminals and connectors for damage, bend and loose connection (unit side and connector side).
 - Combination meter
 - Harness connector M24 and PCB harness side connector

Is the inspection result normal?

- YES >> GO TO 2.
 NO >> Repair the terminal and connector.

2. CHECK HARNESS FOR OPEN CIRCUIT

1. Disconnect the connector of combination meter.
2. Check the resistance between the combination meter harness connector terminals.

Combination meter harness connector			Resistance (Ω)
Connector No.	Terminal No.		
M53	14	15	Approx. 54 – 66

Is the measurement value within the specification?

- YES >> GO TO 3.
 NO >> GO TO 4.

3. CHECK POWER SUPPLY AND GROUND CIRCUIT

Check the power supply and the ground circuit of the combination meter Refer to [MWI-59. "COMBINATION METER : Diagnosis Procedure"](#).

Is the inspection result normal?

- YES (Present error)>>Replace the combination meter. Refer to [MWI-79. "Removal and Installation"](#).
 YES (Past error)>>Error was detected in the combination meter branch line.
 NO >> Repair the power supply and the ground circuit.

4. CHECK HARNESS CONTINUITY (OPEN CIRCUIT)

1. Disconnect the harness connector M24.
2. Check the continuity between the combination meter harness connector and the harness connector.

Combination meter harness connector		Harness connector		Continuity
Connector No.	Terminal No.	Connector No.	Terminal No.	
M53	14	M24	176	Existed
	15		177	Existed

Is the inspection result normal?

- YES >> Replace the PCB harness.
 NO >> Repair the harness between the combination meter harness connector M53 and the harness connector M24.

DLC BRANCH LINE CIRCUIT

< DTC/CIRCUIT DIAGNOSIS >

[CAN SYSTEM (TYPE 11)]

DLC BRANCH LINE CIRCUIT

Diagnosis Procedure

INFOID:000000007205689

1. CHECK CONNECTOR

1. Turn the ignition switch OFF.
2. Disconnect the battery cable from the negative terminal.
3. Check the following terminals and connectors for damage, bend and loose connection (unit side and connector side).
 - Data link connector
 - Harness connector M181
 - Harness connector M105
 - Harness connector M23 and PCB harness side connector

Is the inspection result normal?

YES >> GO TO 2.

NO >> Repair the terminal and connector.

2. CHECK HARNESS FOR OPEN CIRCUIT

Check the resistance between the data link connector terminals.

Data link connector			Resistance (Ω)
Connector No.	Terminal No.		
M182	6	14	Approx. 54 – 66

Is the measurement value within the specification?

YES (Present error)>>Check CAN system type decision again.

YES (Past error)>>Error was detected in the data link connector branch line circuit.

NO >> GO TO 3.

3. CHECK HARNESS CONTINUITY (OPEN CIRCUIT)

1. Disconnect the harness connector M23.
2. Check the continuity between the data link connector and the harness connector.

Data link connector		Harness connector		Continuity
Connector No.	Terminal No.	Connector No.	Terminal No.	
M182	6	M23	151	Existed
	14		150	Existed

Is the inspection result normal?

YES >> Replace the PCB harness.

NO >> Repair the harness between the data link connector M182 and the harness connector M23.

A
B
C
D
E
F
G
H
I
J
K
L

LAN

N
O
P

BCM BRANCH LINE CIRCUIT

< DTC/CIRCUIT DIAGNOSIS >

[CAN SYSTEM (TYPE 11)]

BCM BRANCH LINE CIRCUIT

Diagnosis Procedure

INFOID:000000006889067

1.CHECK CONNECTOR

1. Turn the ignition switch OFF.
2. Disconnect the battery cable from the negative terminal.
3. Check the following terminals and connectors for damage, bend and loose connection (unit side and connector side).
 - BCM
 - Harness connector M22 and PCB harness side connector

Is the inspection result normal?

YES >> GO TO 2.

NO >> Repair the terminal and connector.

2.CHECK HARNESS FOR OPEN CIRCUIT

1. Disconnect the connector of BCM.
2. Check the resistance between the BCM harness connector terminals.

BCM harness connector			Resistance (Ω)
Connector No.	Terminal No.		
M120	39	40	Approx. 54 – 66

Is the measurement value within the specification?

YES >> GO TO 3.

NO >> GO TO 4.

3.CHECK POWER SUPPLY AND GROUND CIRCUIT

Check the power supply and the ground circuit of the BCM. Refer to [BCS-75. "Diagnosis Procedure"](#).

Is the inspection result normal?

YES (Present error)>>Replace the BCM. Refer to [BCS-82. "Removal and Installation"](#).

YES (Past error)>>Error was detected in the BCM branch line.

NO >> Repair the power supply and the ground circuit.

4.CHECK HARNESS CONTINUITY (OPEN CIRCUIT)

1. Disconnect the harness connector M22.
2. Check the continuity between the BCM harness connector and the harness connector.

BCM harness connector		Harness connector		Continuity
Connector No.	Terminal No.	Connector No.	Terminal No.	
M120	39	M22	101	Existed
	40		102	Existed

Is the inspection result normal?

YES >> Replace the PCB harness.

NO >> Repair the harness between the BCM harness connector M120 and the harness connector M22.

STRG BRANCH LINE CIRCUIT

< DTC/CIRCUIT DIAGNOSIS >

[CAN SYSTEM (TYPE 11)]

STRG BRANCH LINE CIRCUIT

Diagnosis Procedure

INFOID:000000006889068

1.CHECK CONNECTOR

1. Turn the ignition switch OFF.
2. Disconnect the battery cable from the negative terminal.
3. Check the following terminals and connectors for damage, bend and loose connection (unit side and connector side).
 - Steering angle sensor
 - Harness connector M22 and PCB harness side connector

Is the inspection result normal?

YES >> GO TO 2.

NO >> Repair the terminal and connector.

2.CHECK HARNESS FOR OPEN CIRCUIT

1. Disconnect the connector of steering angle sensor.
2. Check the resistance between the steering angle sensor harness connector terminals.

Steering angle sensor harness connector			Resistance (Ω)
Connector No.	Terminal No.		
M37	1	2	Approx. 54 – 66

Is the measurement value within the specification?

YES >> GO TO 3.

NO >> GO TO 4.

3.CHECK POWER SUPPLY AND GROUND CIRCUIT

Check the power supply and the ground circuit of the steering angle sensor. Refer to [BRC-53. "Wiring Diagram"](#).

Is the inspection result normal?

YES (Present error)>>Replace the steering angle sensor. Refer to [BRC-144. "Removal and Installation"](#).

YES (Past error)>>Error was detected in the steering angle sensor branch line.

NO >> Repair the power supply and the ground circuit.

4.CHECK HARNESS CONTINUITY (OPEN CIRCUIT)

1. Disconnect the harness connector M22.
2. Check the continuity between the steering angle sensor harness connector and the harness connector.

Steering angle sensor harness connector		Harness connector		Continuity
Connector No.	Terminal No.	Connector No.	Terminal No.	
M37	1	M22	81	Existed
	2		82	Existed

Is the inspection result normal?

YES >> Replace the PCB harness.

NO >> Repair the harness between the steering angle sensor harness connector M37 and the harness connector M22.

A
B
C
D
E
F
G
H
I
J
K
L
N
O
P

LAN

4WD BRANCH LINE CIRCUIT

< DTC/CIRCUIT DIAGNOSIS >

[CAN SYSTEM (TYPE 11)]

4WD BRANCH LINE CIRCUIT

Diagnosis Procedure

INFOID:000000006889069

1. CHECK CONNECTOR

1. Turn the ignition switch OFF.
2. Disconnect the battery cable from the negative terminal.
3. Check the terminals and connectors of the AWD control unit for damage, bend and loose connection (unit side and connector side).

Is the inspection result normal?

- YES >> GO TO 2.
NO >> Repair the terminal and connector.

2. CHECK HARNESS FOR OPEN CIRCUIT

1. Disconnect the connector of AWD control unit.
2. Check the resistance between the AWD control unit harness connector terminals.

AWD control unit harness connector			Resistance (Ω)
Connector No.	Terminal No.		
B17	8	16	Approx. 54 – 66

Is the measurement value within the specification?

- YES >> GO TO 3.
NO >> Repair the AWD control unit branch line.

3. CHECK POWER SUPPLY AND GROUND CIRCUIT

Check the power supply and the ground circuit of the AWD control unit. Refer to [DLN-42, "Diagnosis Procedure"](#).

Is the inspection result normal?

- YES (Present error)>>Replace the AWD control unit. Refer to [DLN-54, "Removal and Installation"](#).
YES (Past error)>>Error was detected in the AWD control unit branch line.
NO >> Repair the power supply and the ground circuit.

ABS BRANCH LINE CIRCUIT

< DTC/CIRCUIT DIAGNOSIS >

[CAN SYSTEM (TYPE 11)]

ABS BRANCH LINE CIRCUIT

Diagnosis Procedure

INFOID:000000006889070

1. CHECK CONNECTOR

1. Turn the ignition switch OFF.
2. Disconnect the battery cable from the negative terminal.
3. Check the terminals and connectors of the ABS actuator and electric unit (control unit) for damage, bend and loose connection (unit side and connector side).

Is the inspection result normal?

- YES >> GO TO 2.
NO >> Repair the terminal and connector.

2. CHECK HARNESS FOR OPEN CIRCUIT

1. Disconnect the connector of ABS actuator and electric unit (control unit).
2. Check the resistance between the ABS actuator and electric unit (control unit) harness connector terminals.

ABS actuator and electric unit (control unit) harness connector			Resistance (Ω)
Connector No.	Terminal No.		
E41	25	15	Approx. 54 – 66

Is the measurement value within the specification?

- YES >> GO TO 3.
NO >> Repair the ABS actuator and electric unit (control unit) branch line.

3. CHECK POWER SUPPLY AND GROUND CIRCUIT

Check the power supply and the ground circuit of the ABS actuator and electric unit (control unit). Refer to [BRC-119, "Diagnosis Procedure"](#).

Is the inspection result normal?

- YES (Present error)>>Replace the ABS actuator and electric unit (control unit). Refer to [BRC-141, "Removal and Installation"](#).
YES (Past error)>>Error was detected in the ABS actuator and electric unit (control unit) branch line.
NO >> Repair the power supply and the ground circuit.

A
B
C
D
E
F
G
H
I
J
K
L

LAN

IPDM-E BRANCH LINE CIRCUIT

< DTC/CIRCUIT DIAGNOSIS >

[CAN SYSTEM (TYPE 11)]

IPDM-E BRANCH LINE CIRCUIT

Diagnosis Procedure

INFOID:000000006889071

1. CHECK CONNECTOR

1. Turn the ignition switch OFF.
2. Disconnect the battery cable from the negative terminal.
3. Check the terminals and connectors of the IPDM E/R for damage, bend and loose connection (unit side and connector side).

Is the inspection result normal?

- YES >> GO TO 2.
NO >> Repair the terminal and connector.

2. CHECK HARNESS FOR OPEN CIRCUIT

1. Disconnect the connector of IPDM E/R.
2. Check the resistance between the IPDM E/R harness connector terminals.

IPDM E/R harness connector			Resistance (Ω)
Connector No.	Terminal No.		
E6	40	39	Approx. 108 – 132

Is the measurement value within the specification?

- YES >> GO TO 3.
NO >> Repair the IPDM E/R branch line.

3. CHECK POWER SUPPLY AND GROUND CIRCUIT

Check the power supply and the ground circuit of the IPDM E/R. Refer to [PCS-32, "Diagnosis Procedure"](#).

Is the inspection result normal?

- YES (Present error)>>Replace the IPDM E/R. Refer to [PCS-33, "Removal and Installation"](#).
YES (Past error)>>Error was detected in the IPDM E/R branch line.
NO >> Repair the power supply and the ground circuit.

ADP BRANCH LINE CIRCUIT

< DTC/CIRCUIT DIAGNOSIS >

[CAN SYSTEM (TYPE 11)]

ADP BRANCH LINE CIRCUIT

Diagnosis Procedure

INFOID:000000007205690

1. CHECK CONNECTOR

1. Turn the ignition switch OFF.
2. Disconnect the battery cable from the negative terminal.
3. Check the following terminals and connectors for damage, bend and loose connection (unit side and connector side).
 - Driver seat control unit
 - Harness connector B501
 - Harness connector B11
 - CAN gateway (With ICC system)

Is the inspection result normal?

YES (With ICC system)>>GO TO 2.

YES (Without ICC system)>>GO TO 3.

NO >> Repair the terminal and connector.

2. CHECK HARNESS CONTINUITY (OPEN CIRCUIT)

1. Disconnect the connector of CAN gateway.
2. Check the continuity between the CAN gateway harness connector terminals.

CAN gateway harness connector			Continuity
Connector No.	Terminal No.		
M125	4	6	Existed
	10	12	Existed

Is the inspection result normal?

YES >> GO TO 3.

NO >> Check the harness and repair or replace (if shield line is open) the root cause (CAN communication circuit 2 side). Refer to [LAN-47, "System Diagram"](#).

3. CHECK HARNESS FOR OPEN CIRCUIT

1. Connect the connector of CAN gateway. (With ICC system)
2. Disconnect the connector of driver seat control unit.
3. Check the resistance between the driver seat control unit harness connector terminals.

Driver seat control unit harness connector			Resistance (Ω)
Connector No.	Terminal No.		
B514	23	24	Approx. 54 – 66

Is the measurement value within the specification?

YES >> GO TO 4.

NO >> Repair the driver seat control unit branch line.

4. CHECK POWER SUPPLY AND GROUND CIRCUIT

Check the power supply and the ground circuit of the driver seat control unit. Refer to [ADP-61, "DRIVER SEAT CONTROL UNIT : Diagnosis Procedure"](#).

Is the inspection result normal?

YES (Present error)>>Replace the driver seat control unit. Refer to [ADP-134, "Removal and Installation"](#).

YES (Past error)>>Error was detected in the driver seat control unit branch line.

NO >> Repair the power supply and the ground circuit.

CAN COMMUNICATION CIRCUIT

< DTC/CIRCUIT DIAGNOSIS >

[CAN SYSTEM (TYPE 11)]

CAN COMMUNICATION CIRCUIT

Diagnosis Procedure

INFOID:000000006889073

1. CONNECTOR INSPECTION

1. Turn the ignition switch OFF.
2. Disconnect the battery cable from the negative terminal.
3. Disconnect all the unit connectors on CAN communication system.
4. Check terminals and connectors for damage, bend and loose connection.

Is the inspection result normal?

- YES >> GO TO 2.
NO >> Repair the terminal and connector.

2. CHECK HARNESS CONTINUITY (SHORT CIRCUIT)

Check the continuity between the data link connector terminals.

Data link connector			Continuity
Connector No.	Terminal No.		
M182	6	14	Not existed

Is the inspection result normal?

- YES >> GO TO 3.
NO >> Check the harness and repair or replace (if shield line or PCB harness is short) the root cause.

3. CHECK HARNESS CONTINUITY (SHORT CIRCUIT)

Check the continuity between the data link connector and the ground.

Data link connector		Ground	Continuity
Connector No.	Terminal No.		
M182	6		Not existed
	14		Not existed

Is the inspection result normal?

- YES >> GO TO 4.
NO >> Check the harness and repair or replace (if shield line or PCB harness is short) the root cause.

4. CHECK ECM AND IPDM E/R TERMINATION CIRCUIT

1. Remove the ECM and the IPDM E/R.
2. Check the resistance between the ECM terminals.
 - VQ37VHR

ECM		Resistance (Ω)
Terminal No.		
114	113	Approx. 108 – 132

- VK56VD

ECM		Resistance (Ω)
Terminal No.		
146	151	Approx. 108 – 132

3. Check the resistance between the IPDM E/R terminals.

IPDM E/R		Resistance (Ω)
Terminal No.		
40	39	Approx. 108 – 132

CAN COMMUNICATION CIRCUIT

< DTC/CIRCUIT DIAGNOSIS >

[CAN SYSTEM (TYPE 11)]

Is the measurement value within the specification?

YES >> GO TO 5.

NO >> Replace the ECM and/or the IPDM E/R.

5.CHECK SYMPTOM

Connect all the connectors. Check if the symptoms described in the “Symptom (Results from interview with customer)” are reproduced.

Inspection result

Reproduced>>GO TO 6.

Non-reproduced>>Start the diagnosis again. Follow the trouble diagnosis procedure when past error is detected.

6.CHECK UNIT REPRODUCTION

Perform the reproduction test as per the following procedure for each unit.

1. Turn the ignition switch OFF.
2. Disconnect the battery cable from the negative terminal.
3. Disconnect one of the unit connectors of CAN communication system.

NOTE:

ECM and IPDM E/R have a termination circuit. Check other units first.

4. Connect the battery cable to the negative terminal. Check if the symptoms described in the “Symptom (Results from interview with customer)” are reproduced.

NOTE:

Although unit-related error symptoms occur, do not confuse them with other symptoms.

Inspection result

Reproduced>>Connect the connector. Check other units as per the above procedure.

Non-reproduced>>Replace the unit whose connector was disconnected.

A
B
C
D
E
F
G
H
I
J
K
L

LAN

N
O
P

MAIN LINE BETWEEN TPMS AND HVAC CIRCUIT

< DTC/CIRCUIT DIAGNOSIS >

[CAN SYSTEM (TYPE 12)]

DTC/CIRCUIT DIAGNOSIS

MAIN LINE BETWEEN TPMS AND HVAC CIRCUIT

Diagnosis Procedure

INFOID:000000006889074

1. CHECK HARNESS CONTINUITY (OPEN CIRCUIT)

1. Turn the ignition switch OFF.
2. Disconnect the battery cable from the negative terminal.
3. Disconnect the following harness connectors.
 - ECM
 - Low tire pressure warning control unit
 - A/C auto amp.
4. Check the continuity between the low tire pressure warning control unit harness connector and the A/C auto amp. harness connector.

Low tire pressure warning control unit harness connector		A/C auto amp. harness connector		Continuity
Connector No.	Terminal No.	Connector No.	Terminal No.	
M43	2	M66	12	Existed
	1		11	Existed

Is the inspection result normal?

YES (Present error)>>Check CAN system type decision again.

YES (Past error)>>Error was detected in the main line between the low tire pressure warning control unit and the A/C auto amp.

NO >> Replace the PCB harness.

MAIN LINE BETWEEN HVAC AND A-BAG CIRCUIT

< DTC/CIRCUIT DIAGNOSIS >

[CAN SYSTEM (TYPE 12)]

MAIN LINE BETWEEN HVAC AND A-BAG CIRCUIT

Diagnosis Procedure

INFOID:000000006889075

1. CHECK HARNESS CONTINUITY (OPEN CIRCUIT)

1. Turn the ignition switch OFF.
2. Disconnect the battery cable from the negative terminal.
3. Disconnect the following harness connectors.
 - ECM
 - A/C auto amp.
 - AV control unit
4. Check the continuity between the A/C auto amp. harness connector and the AV control unit harness connector.
 - Models with navigation system

A/C auto amp. harness connector		AV control unit harness connector		Continuity
Connector No.	Terminal No.	Connector No.	Terminal No.	
M66	12	M210	90	Existed
	11		74	Existed

- Models without navigation system

A/C auto amp. harness connector		AV control unit harness connector		Continuity
Connector No.	Terminal No.	Connector No.	Terminal No.	
M66	12	M84	81	Existed
	11		80	Existed

Is the inspection result normal?

YES (Present error)>>Check CAN system type decision again.

YES (Past error)>>Error was detected in the main line between the A/C auto amp. and the air bag diagnosis sensor unit.

NO >> Replace the PCB harness.

A
B
C
D
E
F
G
H
I
J
K
L

LAN

N
O
P

MAIN LINE BETWEEN A-BAG AND AV CIRCUIT

< DTC/CIRCUIT DIAGNOSIS >

[CAN SYSTEM (TYPE 12)]

MAIN LINE BETWEEN A-BAG AND AV CIRCUIT

Diagnosis Procedure

INFOID:000000006889076

1. CHECK HARNESS CONTINUITY (OPEN CIRCUIT)

1. Turn the ignition switch OFF.
2. Disconnect the battery cable from the negative terminal.
3. Disconnect the following harness connectors.
 - ECM
 - A/C auto amp.
 - AV control unit
4. Check the continuity between the A/C auto amp. harness connector and the AV control unit harness connector.
 - Models with navigation system

A/C auto amp. harness connector		AV control unit harness connector		Continuity
Connector No.	Terminal No.	Connector No.	Terminal No.	
M66	12	M210	90	Existed
	11		74	Existed

- Models without navigation system

A/C auto amp. harness connector		AV control unit harness connector		Continuity
Connector No.	Terminal No.	Connector No.	Terminal No.	
M66	12	M84	81	Existed
	11		80	Existed

Is the inspection result normal?

YES (Present error)>>Check CAN system type decision again.

YES (Past error)>>Error was detected in the main line between the air bag diagnosis sensor unit and the AV control unit.

NO >> Replace the PCB harness.

MAIN LINE BETWEEN AV AND M&A CIRCUIT

< DTC/CIRCUIT DIAGNOSIS >

[CAN SYSTEM (TYPE 12)]

MAIN LINE BETWEEN AV AND M&A CIRCUIT

Diagnosis Procedure

INFOID:000000006889077

1. CHECK HARNESS CONTINUITY (OPEN CIRCUIT)

1. Turn the ignition switch OFF.
2. Disconnect the battery cable from the negative terminal.
3. Disconnect the following harness connectors.
 - ECM
 - AV control unit
 - Combination meter
4. Check the continuity between the AV control unit harness connector and the combination meter harness connector.
 - Models with navigation system

AV control unit harness connector		Combination meter harness connector		Continuity
Connector No.	Terminal No.	Connector No.	Terminal No.	
M210	90	M53	14	Existed
	74		15	Existed

- Models without navigation system

AV control unit harness connector		Combination meter harness connector		Continuity
Connector No.	Terminal No.	Connector No.	Terminal No.	
M84	81	M53	14	Existed
	80		15	Existed

Is the inspection result normal?

YES (Present error)>>Check CAN system type decision again.

YES (Past error)>>Error was detected in the main line between the AV control unit and the combination meter.

NO >> Replace the PCB harness.

A
B
C
D
E
F
G
H
I
J
K
L

LAN

N
O
P

MAIN LINE BETWEEN M&A AND DLC CIRCUIT

< DTC/CIRCUIT DIAGNOSIS >

[CAN SYSTEM (TYPE 12)]

MAIN LINE BETWEEN M&A AND DLC CIRCUIT

Diagnosis Procedure

INFOID:000000006889078

1. CHECK HARNESS CONTINUITY (OPEN CIRCUIT)

1. Turn the ignition switch OFF.
2. Disconnect the battery cable from the negative terminal.
3. Disconnect the following harness connectors.
 - ECM
 - Combination meter
 - Harness connectors M105 and M181
4. Check the continuity between the combination meter harness connector and the harness connector.

Combination meter harness connector		Harness connector		Continuity
Connector No.	Terminal No.	Connector No.	Terminal No.	
M53	14	M105	7	Existed
	15		8	Existed

Is the inspection result normal?

YES (Present error)>>Check CAN system type decision again.

YES (Past error)>>Error was detected in the main line between the combination meter and the data link connector.

NO >> Replace the PCB harness.

MAIN LINE BETWEEN DLC AND BCM CIRCUIT

< DTC/CIRCUIT DIAGNOSIS >

[CAN SYSTEM (TYPE 12)]

MAIN LINE BETWEEN DLC AND BCM CIRCUIT

Diagnosis Procedure

INFOID:000000006889079

1. CHECK HARNESS CONTINUITY (OPEN CIRCUIT)

1. Turn the ignition switch OFF.
2. Disconnect the battery cable from the negative terminal.
3. Disconnect the following harness connectors.
 - ECM
 - Harness connectors M181 and M105
 - BCM
4. Check the continuity between the harness connector and the BCM harness connector.

Harness connector		BCM harness connector		Continuity
Connector No.	Terminal No.	Connector No.	Terminal No.	
M105	7	M120	39	Existed
	8		40	Existed

Is the inspection result normal?

YES (Present error)>>Check CAN system type decision again.

YES (Past error)>>Error was detected in the main line between the data link connector and the BCM.

NO >> Replace the PCB harness.

A
B
C
D
E
F
G
H
I
J
K
L

LAN

N
O
P

MAIN LINE BETWEEN BCM AND 4WD CIRCUIT

< DTC/CIRCUIT DIAGNOSIS >

[CAN SYSTEM (TYPE 12)]

MAIN LINE BETWEEN BCM AND 4WD CIRCUIT

Diagnosis Procedure

INFOID:000000006889080

1.CHECK CONNECTOR

1. Turn the ignition switch OFF.
2. Disconnect the battery cable from the negative terminal.
3. Check the following terminals and connectors for damage, bend and loose connection (connector side and harness side).
 - Harness connector M20 and PCB harness side connector
 - Harness connector M7
 - Harness connector B1

Is the inspection result normal?

YES >> GO TO 2.

NO >> Repair the terminal and connector.

2.CHECK HARNESS CONTINUITY (OPEN CIRCUIT)

1. Disconnect the following harness connectors.
 - BCM
 - Harness connector M20
2. Check the continuity between the BCM harness connector and the PCB harness connector.

BCM harness connector		PCB harness connector		Continuity
Connector No.	Terminal No.	Terminal No.		
M120	39	35		Existed
	40	36		Existed

Is the inspection result normal?

YES >> GO TO 3.

NO >> Replace the PCB harness.

3.CHECK HARNESS CONTINUITY (OPEN CIRCUIT)

1. Disconnect the harness connectors M7 and B1.
2. Check the continuity between the harness connectors.

Harness connector		Harness connector		Continuity
Connector No.	Terminal No.	Connector No.	Terminal No.	
M20	35	M7	72	Existed
	36		73	Existed

Is the inspection result normal?

YES >> GO TO 4.

NO >> Repair the main line between the harness connectors M20 and M7.

4.CHECK HARNESS CONTINUITY (OPEN CIRCUIT)

Check the continuity between the harness connector terminals.

Connector No.	Terminal No.		Continuity
B1	72	74	Existed
	73	75	Existed

Is the inspection result normal?

YES (Present error)>>Check CAN system type decision again.

YES (Past error)>>Error was detected in the main line between the BCM and the AWD control unit.

NO >> Replace the body harness.

MAIN LINE BETWEEN 4WD AND ABS CIRCUIT

< DTC/CIRCUIT DIAGNOSIS >

[CAN SYSTEM (TYPE 12)]

MAIN LINE BETWEEN 4WD AND ABS CIRCUIT

Diagnosis Procedure

INFOID:000000006889081

1. CHECK CONNECTOR

1. Turn the ignition switch OFF.
2. Disconnect the battery cable from the negative terminal.
3. Check the following terminals and connectors for damage, bend and loose connection (connector side and harness side).
 - Harness connector B1
 - Harness connector M7
 - Harness connector M6
 - Harness connector E106

Is the inspection result normal?

YES >> GO TO 2.

NO >> Repair the terminal and connector.

2. CHECK HARNESS CONTINUITY (OPEN CIRCUIT)

1. Disconnect the harness connectors B1 and M7.
2. Check the continuity between the harness connector terminals.

Connector No.	Terminal No.		Continuity
B1	72	74	Existed
	73	75	Existed

Is the inspection result normal?

YES >> GO TO 3.

NO >> Replace the body harness.

3. CHECK HARNESS CONTINUITY (OPEN CIRCUIT)

1. Disconnect the harness connectors M6 and E106.
2. Check the continuity between the harness connectors.

Harness connector		Harness connector		Continuity
Connector No.	Terminal No.	Connector No.	Terminal No.	
M7	74	M6	22	Existed
	75		23	Existed

Is the inspection result normal?

YES >> GO TO 4.

NO >> Repair the main line between the harness connectors M7 and M6.

4. CHECK HARNESS CONTINUITY (OPEN CIRCUIT)

1. Disconnect the connector of ABS actuator and electric unit (control unit).
2. Check the continuity between the harness connector and the ABS actuator and electric unit (control unit) harness connector.

Harness connector		ABS actuator and electric unit (control unit) harness connector		Continuity
Connector No.	Terminal No.	Connector No.	Terminal No.	
E106	22	E41	25	Existed
	23		15	Existed

Is the inspection result normal?

YES (Present error)>>Check CAN system type decision again.

YES (Past error)>>Error was detected in the main line between the AWD control unit and the ABS actuator and electric unit (control unit).

A
B
C
D
E
F
G
H
I
J
K
L

LAN

N
O
P

MAIN LINE BETWEEN 4WD AND ABS CIRCUIT

< DTC/CIRCUIT DIAGNOSIS >

[CAN SYSTEM (TYPE 12)]

NO >> Repair the main line between the harness connector E106 and the ABS actuator and electric unit (control unit).

MAIN LINE BETWEEN DLC AND ADP CIRCUIT

< DTC/CIRCUIT DIAGNOSIS >

[CAN SYSTEM (TYPE 12)]

MAIN LINE BETWEEN DLC AND ADP CIRCUIT

Diagnosis Procedure

INFOID:000000007205627

1. CHECK CONNECTOR

1. Turn the ignition switch OFF.
2. Disconnect the battery cable from the negative terminal.
3. Check the following terminals and connectors for damage, bend and loose connection (connector side and harness side).
 - Harness connector M20 and PCB harness side connector
 - Harness connector M7
 - Harness connector B1

Is the inspection result normal?

YES >> GO TO 2.

NO >> Repair the terminal and connector.

2. CHECK HARNESS CONTINUITY (OPEN CIRCUIT)

1. Disconnect the harness connector M20.
2. Check the continuity between the data link connector and the PCB harness connector.

Data link connector		PCB harness connector		Continuity
Connector No.	Terminal No.	Terminal No.		
M182	13	24		Existed
	12	27		Existed

Is the inspection result normal?

YES >> GO TO 3.

NO >> Replace the PCB harness.

3. CHECK HARNESS CONTINUITY (OPEN CIRCUIT)

1. Disconnect the harness connectors M7 and B1.
2. Check the continuity between the harness connectors.

Harness connector		Harness connector		Continuity
Connector No.	Terminal No.	Connector No.	Terminal No.	
M20	24	M7	34	Existed
	27		35	Existed

Is the inspection result normal?

YES >> GO TO 4.

NO >> Repair the main line between the harness connectors M20 and M7.

4. CHECK HARNESS CONTINUITY (OPEN CIRCUIT)

Check the continuity between the harness connector terminals.

Connector No.	Terminal No.		Continuity
B1	34	32	Existed
	35	33	Existed

Is the inspection result normal?

YES (Present error)>>Check CAN system type decision again.

YES (Past error)>>Error was detected in the main line between the data link connector and the driver seat control unit.

NO >> Replace the body harness.

A
B
C
D
E
F
G
H
I
J
K
L
N
O
P

LAN

MAIN LINE BETWEEN RDR-L AND RDR-R CIRCUIT

< DTC/CIRCUIT DIAGNOSIS >

[CAN SYSTEM (TYPE 12)]

MAIN LINE BETWEEN RDR-L AND RDR-R CIRCUIT

Diagnosis Procedure

INFOID:000000006889082

1. CHECK CONNECTOR

1. Turn the ignition switch OFF.
2. Disconnect the battery cable from the negative terminal.
3. Check the following terminals and connectors for damage, bend and loose connection (connector side and harness side).
 - Harness connector B33
 - Harness connector B245

Is the inspection result normal?

YES >> GO TO 2.

NO >> Repair the terminal and connector.

2. CHECK HARNESS CONTINUITY (OPEN CIRCUIT)

1. Disconnect the following harness connectors.
 - Side radar LH
 - Harness connectors B33 and B245
2. Check the continuity between the side radar LH harness connector and the harness connector.

Side radar LH harness connector		Harness connector		Continuity
Connector No.	Terminal No.	Connector No.	Terminal No.	
B52	4	B33	13	Existed
	3		14	Existed

Is the inspection result normal?

YES >> GO TO 3.

NO >> Repair the main line between the side radar LH and the harness connector B33.

3. CHECK HARNESS CONTINUITY (OPEN CIRCUIT)

1. Disconnect the connector of side radar RH.
2. Check the continuity between the harness connector and the side radar RH harness connector.

Harness connector		Side radar RH harness connector		Continuity
Connector No.	Terminal No.	Connector No.	Terminal No.	
B245	13	B252	4	Existed
	14		3	Existed

Is the inspection result normal?

YES (Present error)>>Check CAN system type decision again.

YES (Past error)>>Error was detected in the main line between the side radar LH and the side radar RH.

NO >> Repair the main line between the harness connector B245 and the side radar RH.

MAIN LINE BETWEEN RDR-R AND APA CIRCUIT

< DTC/CIRCUIT DIAGNOSIS >

[CAN SYSTEM (TYPE 12)]

MAIN LINE BETWEEN RDR-R AND APA CIRCUIT

Diagnosis Procedure

INFOID:000000006889083

1. CHECK CONNECTOR

1. Turn the ignition switch OFF.
2. Disconnect the battery cable from the negative terminal.
3. Check the following terminals and connectors for damage, bend and loose connection (connector side and harness side).
 - Harness connector B201
 - Harness connector M117
 - Harness connector M20 and PCB harness side connector

Is the inspection result normal?

YES >> GO TO 2.

NO >> Repair the terminal and connector.

2. CHECK HARNESS CONTINUITY (OPEN CIRCUIT)

1. Disconnect the following harness connectors.
 - Side radar RH
 - Harness connectors B201 and M117
2. Check the continuity between the side radar RH harness connector and the harness connector.

Side radar RH harness connector		Harness connector		Continuity
Connector No.	Terminal No.	Connector No.	Terminal No.	
B252	4	B201	66	Existed
	3		67	Existed

Is the inspection result normal?

YES >> GO TO 3.

NO >> Repair the main line between the side radar RH and the harness connector B201.

3. CHECK HARNESS CONTINUITY (OPEN CIRCUIT)

1. Disconnect the harness connector M20.
2. Check the continuity between the harness connectors.

Harness connector		Harness connector		Continuity
Connector No.	Terminal No.	Connector No.	Terminal No.	
M117	66	M20	38	Existed
	67		40	Existed

Is the inspection result normal?

YES >> GO TO 4.

NO >> Repair the main line between the harness connectors M117 and M20.

4. CHECK HARNESS CONTINUITY (OPEN CIRCUIT)

1. Disconnect the harness connectors M150 and M151.
2. Check the continuity between the PCB harness connector and the harness connector.

PCB harness connector		Harness connector		Continuity
Terminal No.	Terminal No.	Connector No.	Terminal No.	
38	40	M150	11	Existed
40			10	Existed

Is the inspection result normal?

YES (Present error)>>Check CAN system type decision again.

YES (Past error)>>Error was detected in the main line between the side radar RH and the accelerator pedal actuator.

MAIN LINE BETWEEN RDR-R AND APA CIRCUIT

< DTC/CIRCUIT DIAGNOSIS >

[CAN SYSTEM (TYPE 12)]

NO >> Replace the PCB harness.

MAIN LINE BETWEEN APA AND LANE CIRCUIT

< DTC/CIRCUIT DIAGNOSIS >

[CAN SYSTEM (TYPE 12)]

MAIN LINE BETWEEN APA AND LANE CIRCUIT

Diagnosis Procedure

INFOID:000000006889084

1. CHECK HARNESS CONTINUITY (OPEN CIRCUIT)

1. Turn the ignition switch OFF.
2. Disconnect the battery cable from the negative terminal.
3. Disconnect the following harness connectors.
 - ADAS control unit
 - Harness connectors M151 and M150
 - Harness connectors M110 and R7
4. Check the continuity between the harness connectors.

Harness connector		Harness connector		Continuity
Connector No.	Terminal No.	Connector No.	Terminal No.	
M150	11	M110	13	Existed
	10		2	Existed

Is the inspection result normal?

YES (Present error)>>Check CAN system type decision again.

YES (Past error)>>Error was detected in the main line between the accelerator pedal actuator and the lane camera unit.

NO >> Replace the PCB harness.

A
B
C
D
E
F
G
H
I
J
K
L

LAN

N
O
P

ECM BRANCH LINE CIRCUIT

< DTC/CIRCUIT DIAGNOSIS >

[CAN SYSTEM (TYPE 12)]

ECM BRANCH LINE CIRCUIT

Diagnosis Procedure

INFOID:000000007217846

1. CHECK CONNECTOR

1. Turn the ignition switch OFF.
2. Disconnect the battery cable from the negative terminal.
3. Check the following terminals and connectors for damage, bend and loose connection (unit side and connector side).
 - ECM
 - Harness connector M30 and PCB harness side connector

Is the inspection result normal?

YES >> GO TO 2.

NO >> Repair the terminal and connector.

2. CHECK HARNESS FOR OPEN CIRCUIT

1. Disconnect the connector of ECM.
2. Check the resistance between the ECM harness connector terminals.
 - VQ37VHR

ECM harness connector			Resistance (Ω)
Connector No.	Terminal No.		
M107	114	113	Approx. 108 – 132

- VK56VD

ECM harness connector			Resistance (Ω)
Connector No.	Terminal No.		
M160	146	151	Approx. 108 – 132

Is the measurement value within the specification?

YES >> GO TO 3.

NO >> GO TO 4.

3. CHECK POWER SUPPLY AND GROUND CIRCUIT

Check the power supply and the ground circuit of the ECM. Refer to the following.

- VQ37VHR for USA and Canada: [EC-180, "Diagnosis Procedure"](#)
- VQ37VHR for Mexico: [EC-682, "Diagnosis Procedure"](#)
- VK56VD for USA and Canada: [EC-1149, "Diagnosis Procedure"](#)
- VK56VD for Mexico: [EC-1707, "Diagnosis Procedure"](#)

Is the inspection result normal?

YES (Present error)>>Replace the ECM. Refer to the following.

- VQ37VHR for USA and Canada: [EC-543, "Removal and Installation"](#)
- VQ37VHR for Mexico: [EC-980, "Removal and Installation"](#)
- VK56VD for USA and Canada: [EC-1553, "Removal and Installation"](#)
- VK56VD for Mexico: [EC-2013, "Removal and Installation"](#)

YES (Past error)>>Error was detected in the ECM branch line.

NO >> Repair the power supply and the ground circuit.

4. CHECK HARNESS CONTINUITY (OPEN CIRCUIT)

1. Disconnect the harness connector M30.
2. Check the continuity between the ECM harness connector and the harness connector.
 - VQ37VHR

ECM harness connector		Harness connector		Continuity
Connector No.	Terminal No.	Connector No.	Terminal No.	

ECM BRANCH LINE CIRCUIT

< DTC/CIRCUIT DIAGNOSIS >

[CAN SYSTEM (TYPE 12)]

M107	114	M30	439	Existed
	113		438	Existed

A

- VK56VD

B

ECM harness connector		Harness connector		Continuity
Connector No.	Terminal No.	Connector No.	Terminal No.	
M160	146	M30	439	Existed
	151		438	Existed

C

Is the inspection result normal?

D

YES >> Replace the PCB harness.

NO (VQ37VHR)>>Repair the harness between the ECM harness connector M107 and the harness connector M30.

NO (VK56VD)>>Repair the harness between the ECM harness connector M160 and the harness connector M30.

E

F

G

H

I

J

K

L

LAN

N

O

P

TPMS BRANCH LINE CIRCUIT

< DTC/CIRCUIT DIAGNOSIS >

[CAN SYSTEM (TYPE 12)]

TPMS BRANCH LINE CIRCUIT

Diagnosis Procedure

INFOID:000000007217847

1. CHECK CONNECTOR

1. Turn the ignition switch OFF.
2. Disconnect the battery cable from the negative terminal.
3. Check the following terminals and connectors for damage, bend and loose connection (unit side and connector side).
 - Low tire pressure warning control unit
 - Harness connector M29 and PCB harness side connector

Is the inspection result normal?

YES >> GO TO 2.

NO >> Repair the terminal and connector.

2. CHECK HARNESS FOR OPEN CIRCUIT

1. Disconnect the connector of low tire pressure warning control unit.
2. Check the resistance between the low tire pressure warning control unit harness connector terminals.

Low tire pressure warning control unit harness connector			Resistance (Ω)
Connector No.	Terminal No.		
M43	2	1	Approx. 54 – 66

Is the measurement value within the specification?

YES >> GO TO 3.

NO >> GO TO 4.

3. CHECK POWER SUPPLY AND GROUND CIRCUIT

Check the power supply and the ground circuit of the low tire pressure warning control unit. Refer to [WT-43. "Diagnosis Procedure"](#).

Is the inspection result normal?

YES (Present error)>>Replace the low tire pressure warning control unit. Refer to [WT-58. "Removal and Installation"](#).

YES (Past error)>>Error was detected in the low tire pressure warning control unit branch line.

NO >> Repair the power supply and the ground circuit.

4. CHECK HARNESS CONTINUITY (OPEN CIRCUIT)

1. Disconnect the harness connector M29.
2. Check the continuity between the low tire pressure warning control unit harness connector and the harness connector.

Low tire pressure warning control unit harness connector		Harness connector		Continuity
Connector No.	Terminal No.	Connector No.	Terminal No.	
M43	2	M29	396	Existed
	1		395	Existed

Is the inspection result normal?

YES >> Replace the PCB harness.

NO >> Repair the harness between the low tire pressure warning control unit harness connector M43 and the harness connector M29.

CGW BRANCH LINE CIRCUIT (CAN COMMUNICATION CIRCUIT 1)

< DTC/CIRCUIT DIAGNOSIS >

[CAN SYSTEM (TYPE 12)]

CGW BRANCH LINE CIRCUIT (CAN COMMUNICATION CIRCUIT 1)

Diagnosis Procedure

INFOID:000000007205642

1. CHECK DTC

Check DTC of the CAN gateway with CONSULT.

Is U1010 or B2600 indicated?

- YES >> Perform a diagnosis of the indicated DTC.
- NO >> GO TO 2.

2. CHECK CONNECTOR

1. Turn the ignition switch OFF.
2. Disconnect the battery cable from the negative terminal.
3. Check the following terminals and connectors for damage, bend and loose connection (unit side and connector side).
 - CAN gateway
 - Harness connector M28 and PCB harness side connector

Is the inspection result normal?

- YES >> GO TO 3.
- NO >> Repair the terminal and connector.

3. CHECK HARNESS FOR OPEN CIRCUIT

1. Disconnect the connector of CAN gateway.
2. Check the resistance between the CAN gateway harness connector terminals.

CAN gateway harness connector			Resistance (Ω)
Connector No.	Terminal No.		
M125	1	7	Approx. 54 – 66

Is the measurement value within the specification?

- YES >> GO TO 4.
- NO >> GO TO 5.

4. CHECK POWER SUPPLY AND GROUND CIRCUIT

Check the power supply and the ground circuit of the CAN gateway. Refer to [LAN-122, "Diagnosis Procedure"](#).

Is the inspection result normal?

- YES (Present error)>>Replace the CAN gateway. Refer to [LAN-123, "Removal and Installation"](#).
- YES (Past error)>>Error was detected in the CAN gateway branch line (CAN communication circuit 1 side). Refer to [LAN-47, "System Diagram"](#).
- NO >> Repair the power supply and the ground circuit.

5. CHECK HARNESS CONTINUITY (OPEN CIRCUIT)

1. Disconnect the harness connector M28.
2. Check the continuity between the CAN gateway harness connector and the harness connector.

CAN gateway harness connector		Harness connector		Continuity
Connector No.	Terminal No.	Connector No.	Terminal No.	
M125	1	M28	326	Existed
	7		328	Existed

Is the inspection result normal?

- YES >> Replace the PCB harness.
- NO >> Repair the harness between the CAN gateway harness connector M125 and the harness connector M28.

A
B
C
D
E
F
G
H
I
J
K
L
N
O
P

LAN

CGW BRANCH LINE CIRCUIT (CAN COMMUNICATION CIRCUIT 2)

< DTC/CIRCUIT DIAGNOSIS >

[CAN SYSTEM (TYPE 12)]

CGW BRANCH LINE CIRCUIT (CAN COMMUNICATION CIRCUIT 2)

Diagnosis Procedure

INFOID:000000007205643

1. CHECK DTC

Check DTC of the CAN gateway with CONSULT.

Is U1010 or B2600 indicated?

- YES >> Perform a diagnosis of the indicated DTC.
- NO >> GO TO 2.

2. CHECK CONNECTOR

1. Turn the ignition switch OFF.
2. Disconnect the battery cable from the negative terminal.
3. Check the following terminals and connectors for damage, bend and loose connection (unit side and connector side).
 - CAN gateway
 - Harness connector M23 and PCB harness side connector

Is the inspection result normal?

- YES >> GO TO 3.
- NO >> Repair the terminal and connector.

3. CHECK HARNESS CONTINUITY (OPEN CIRCUIT)

1. Disconnect the connector of CAN gateway.
2. Check the continuity between the CAN gateway harness connector terminals.

CAN gateway harness connector			Continuity
Connector No.	Terminal No.		
M125	4	6	Existed
	10	12	Existed

Is the inspection result normal?

- YES >> GO TO 4.
- NO >> GO TO 5.

4. CHECK POWER SUPPLY AND GROUND CIRCUIT

Check the power supply and the ground circuit of the CAN gateway. Refer to [LAN-122, "Diagnosis Procedure"](#).

Is the inspection result normal?

- YES (Present error)>>Replace the CAN gateway. Refer to [LAN-123, "Removal and Installation"](#).
- YES (Past error)>>Error was detected in the CAN gateway branch line (CAN communication circuit 2 side). Refer to [LAN-47, "System Diagram"](#).
- NO >> Repair the power supply and the ground circuit.

5. CHECK HARNESS CONTINUITY (OPEN CIRCUIT)

1. Disconnect the harness connector M23.
2. Check the continuity between the CAN gateway harness connector and the harness connector.

CAN gateway harness connector		Harness connector		Continuity
Connector No.	Terminal No.	Connector No.	Terminal No.	
M125	4	M23	133	Existed
	10		135	Existed

Is the inspection result normal?

- YES >> Replace the PCB harness.
- NO >> Repair the harness between the CAN gateway harness connector M125 and the harness connector M23.

HVAC BRANCH LINE CIRCUIT

< DTC/CIRCUIT DIAGNOSIS >

[CAN SYSTEM (TYPE 12)]

HVAC BRANCH LINE CIRCUIT

Diagnosis Procedure

INFOID:000000006889089

1.CHECK CONNECTOR

1. Turn the ignition switch OFF.
2. Disconnect the battery cable from the negative terminal.
3. Check the following terminals and connectors for damage, bend and loose connection (unit side and connector side).
 - A/C auto amp.
 - Harness connector M28 and PCB harness side connector

Is the inspection result normal?

- YES >> GO TO 2.
NO >> Repair the terminal and connector.

2.CHECK HARNESS FOR OPEN CIRCUIT

1. Disconnect the connector of A/C auto amp.
2. Check the resistance between the A/C auto amp. harness connector terminals.

A/C auto amp. harness connector			Resistance (Ω)
Connector No.	Terminal No.		
M66	12	11	Approx. 54 – 66

Is the measurement value within the specification?

- YES >> GO TO 3.
NO >> GO TO 4.

3.CHECK POWER SUPPLY AND GROUND CIRCUIT

Check the power supply and the ground circuit of the A/C auto amp. Refer to [HAC-156. "A/C AUTO AMP. : Diagnosis Procedure"](#).

Is the inspection result normal?

- YES (Present error)>>Replace the A/C auto amp. Refer to [HAC-190. "Removal and Installation"](#).
YES (Past error)>>Error was detected in the A/C auto amp. branch line.
NO >> Repair the power supply and the ground circuit.

4.CHECK HARNESS CONTINUITY (OPEN CIRCUIT)

1. Disconnect the harness connector M28.
2. Check the continuity between the A/C auto amp. harness connector and the harness connector.

A/C auto amp. harness connector		Harness connector		Continuity
Connector No.	Terminal No.	Connector No.	Terminal No.	
M66	12	M28	325	Existed
	11		327	Existed

Is the inspection result normal?

- YES >> Replace the PCB harness.
NO >> Repair the harness between the A/C auto amp. harness connector M66 and the harness connector M28.

A
B
C
D
E
F
G
H
I
J
K
L
N
O
P

LAN

TCM BRANCH LINE CIRCUIT

< DTC/CIRCUIT DIAGNOSIS >

[CAN SYSTEM (TYPE 12)]

TCM BRANCH LINE CIRCUIT

Diagnosis Procedure

INFOID:000000007205691

1. CHECK CONNECTOR

1. Turn the ignition switch OFF.
2. Disconnect the battery cable from the negative terminal.
3. Check the following terminals and connectors for damage, bend and loose connection (unit side and connector side).
 - A/T assembly
 - Harness connector F103
 - Harness connector M116
 - Harness connector M28 and PCB harness side connector

Is the inspection result normal?

YES >> GO TO 2.

NO >> Repair the terminal and connector.

2. CHECK HARNESS FOR OPEN CIRCUIT

1. Disconnect the connector of A/T assembly.
2. Check the resistance between the A/T assembly harness connector terminals.

A/T assembly harness connector		Resistance (Ω)
Connector No.	Terminal No.	
F61	3 8	Approx. 54 – 66

Is the measurement value within the specification?

YES >> GO TO 3.

NO >> GO TO 5.

3. CHECK HARNESS FOR OPEN CIRCUIT

1. Remove the joint connector. Refer to [TM-181, "Exploded View"](#).
2. Check the continuity between the A/T assembly harness connector side and the TCM harness connector side of the joint connector.

A/T assembly harness connector side	TCM harness connector side	Continuity
Terminal No.	Terminal No.	
3	3	Existed
8	8	Existed

Is the inspection result normal?

YES >> GO TO 4.

NO >> Replace the joint connector.

4. CHECK POWER SUPPLY AND GROUND CIRCUIT

Check the power supply and the ground circuit of the TCM. Refer to [TM-150, "Diagnosis Procedure"](#).

Is the inspection result normal?

YES (Present error)>>Replace the control valve & TCM. Refer to [TM-181, "Exploded View"](#).

YES (Past error)>>Error was detected in the TCM branch line.

NO >> Repair the power supply and the ground circuit.

5. CHECK HARNESS CONTINUITY (OPEN CIRCUIT)

1. Disconnect the harness connector M28.
2. Check the continuity between the A/T assembly harness connector and the harness connector.

TCM BRANCH LINE CIRCUIT

< DTC/CIRCUIT DIAGNOSIS >

[CAN SYSTEM (TYPE 12)]

A/T assembly harness connector		Harness connector		Continuity
Connector No.	Terminal No.	Connector No.	Terminal No.	
F61	3	M28	346	Existed
	8		347	Existed

Is the inspection result normal?

YES >> Replace the PCB harness.

NO >> Repair the harness between the A/T assembly harness connector F61 and the harness connector M28.

A
B
C
D
E
F
G
H
I
J
K
L

LAN

N
O
P

A-BAG BRANCH LINE CIRCUIT

Diagnosis Procedure

INFOID:000000006889091

WARNING:

- Before servicing, turn ignition switch OFF, disconnect battery negative terminal, and wait 3 minutes or more. (To discharge backup capacitor.)
- Never use unspecified tester or other measuring device.

1. CHECK CONNECTOR

1. Turn the ignition switch OFF.
2. Disconnect the battery cable from the negative terminal.
3. Check the following terminals and connectors for damage, bend and loose connection (unit side and connector side).
 - Air bag diagnosis sensor unit
 - Harness connector M26 and PCB harness side connector

Is the inspection result normal?

- YES >> GO TO 2.
NO >> Replace the main harness and/or the PCB harness.

2. CHECK AIR BAG DIAGNOSIS SENSOR UNIT

Check the air bag diagnosis sensor unit. Refer to [SRC-24. "Work Flow"](#).

Is the inspection result normal?

- YES >> Replace the main harness and/or the PCB harness.
NO >> Replace parts whose air bag system has a malfunction.

AV BRANCH LINE CIRCUIT

< DTC/CIRCUIT DIAGNOSIS >

[CAN SYSTEM (TYPE 12)]

AV BRANCH LINE CIRCUIT

Diagnosis Procedure

INFOID:000000006889092

1.CHECK CONNECTOR

1. Turn the ignition switch OFF.
2. Disconnect the battery cable from the negative terminal.
3. Check the following terminals and connectors for damage, bend and loose connection (unit side and connector side).
 - AV control unit
 - Harness connector M25 and PCB harness side connector

Is the inspection result normal?

YES >> GO TO 2.

NO >> Repair the terminal and connector.

2.CHECK HARNESS FOR OPEN CIRCUIT

1. Disconnect the connector of AV control unit.
2. Check the resistance between the AV control unit harness connector terminals.
 - Models with navigation system

AV control unit harness connector			Resistance (Ω)
Connector No.	Terminal No.		
M210	90	74	Approx. 54 – 66

- Models without navigation system

AV control unit harness connector			Resistance (Ω)
Connector No.	Terminal No.		
M84	81	80	Approx. 54 – 66

Is the measurement value within the specification?

YES >> GO TO 3.

NO >> GO TO 4.

3.CHECK POWER SUPPLY AND GROUND CIRCUIT

Check the power supply and the ground circuit of the AV control unit. Refer to the following.

- Base audio without navigation system: [AV-72. "AV CONTROL UNIT : Diagnosis Procedure"](#)
- BOSE audio with navigation system: [AV-236. "AV CONTROL UNIT : Diagnosis Procedure"](#)

Is the inspection result normal?

YES (Present error)>>Replace the AV control unit. Refer to the following.

- Base audio without navigation system: [AV-103. "Removal and Installation"](#)
- BOSE audio with navigation system: [AV-263. "Removal and Installation"](#)

YES (Past error)>>Error was detected in the AV control unit branch line.

NO >> Repair the power supply and the ground circuit.

4.CHECK HARNESS CONTINUITY (OPEN CIRCUIT)

1. Disconnect the harness connector M25.
2. Check the continuity between the AV control unit harness connector and the harness connector.
 - Models with navigation system

AV control unit harness connector		Harness connector		Continuity
Connector No.	Terminal No.	Connector No.	Terminal No.	
M210	90	M25	201	Existed
	74		221	Existed

- Models without navigation system

AV BRANCH LINE CIRCUIT

< DTC/CIRCUIT DIAGNOSIS >

[CAN SYSTEM (TYPE 12)]

AV control unit harness connector		Harness connector		Continuity
Connector No.	Terminal No.	Connector No.	Terminal No.	
M84	81	M25	201	Existed
	80		221	Existed

Is the inspection result normal?

YES >> Replace the PCB harness.

NO (With navigation system)>>Repair the harness between the AV control unit harness connector M210 and the harness connector M25.

NO (Without navigation system)>>Repair the harness between the AV control unit harness connector M84 and the harness connector M25.

M&A BRANCH LINE CIRCUIT

< DTC/CIRCUIT DIAGNOSIS >

[CAN SYSTEM (TYPE 12)]

M&A BRANCH LINE CIRCUIT

Diagnosis Procedure

INFOID:000000006889093

1.CHECK CONNECTOR

1. Turn the ignition switch OFF.
2. Disconnect the battery cable from the negative terminal.
3. Check the following terminals and connectors for damage, bend and loose connection (unit side and connector side).
 - Combination meter
 - Harness connector M24 and PCB harness side connector

Is the inspection result normal?

YES >> GO TO 2.

NO >> Repair the terminal and connector.

2.CHECK HARNESS FOR OPEN CIRCUIT

1. Disconnect the connector of combination meter.
2. Check the resistance between the combination meter harness connector terminals.

Combination meter harness connector			Resistance (Ω)
Connector No.	Terminal No.		
M53	14	15	Approx. 54 – 66

Is the measurement value within the specification?

YES >> GO TO 3.

NO >> GO TO 4.

3.CHECK POWER SUPPLY AND GROUND CIRCUIT

Check the power supply and the ground circuit of the combination meter Refer to [MWI-59. "COMBINATION METER : Diagnosis Procedure"](#).

Is the inspection result normal?

YES (Present error)>>Replace the combination meter. Refer to [MWI-79. "Removal and Installation"](#).

YES (Past error)>>Error was detected in the combination meter branch line.

NO >> Repair the power supply and the ground circuit.

4.CHECK HARNESS CONTINUITY (OPEN CIRCUIT)

1. Disconnect the harness connector M24.
2. Check the continuity between the combination meter harness connector and the harness connector.

Combination meter harness connector		Harness connector		Continuity
Connector No.	Terminal No.	Connector No.	Terminal No.	
M53	14	M24	176	Existed
	15		177	Existed

Is the inspection result normal?

YES >> Replace the PCB harness.

NO >> Repair the harness between the combination meter harness connector M53 and the harness connector M24.

A
B
C
D
E
F
G
H
I
J
K
L
N
O
P

LAN

DLC BRANCH LINE CIRCUIT (CAN COMMUNICATION CIRCUIT 1)

< DTC/CIRCUIT DIAGNOSIS >

[CAN SYSTEM (TYPE 12)]

DLC BRANCH LINE CIRCUIT (CAN COMMUNICATION CIRCUIT 1)

Diagnosis Procedure

INFOID:000000007205696

1. CHECK CONNECTOR

1. Turn the ignition switch OFF.
2. Disconnect the battery cable from the negative terminal.
3. Check the following terminals and connectors for damage, bend and loose connection (unit side and connector side).
 - Data link connector
 - Harness connector M181
 - Harness connector M105
 - Harness connector M23 and PCB harness side connector

Is the inspection result normal?

YES >> GO TO 2.

NO >> Repair the terminal and connector.

2. CHECK HARNESS FOR OPEN CIRCUIT

Check the resistance between the data link connector terminals.

Data link connector			Resistance (Ω)
Connector No.	Terminal No.		
M182	6	14	Approx. 54 – 66

Is the measurement value within the specification?

YES (Present error)>>Check CAN system type decision again.

YES (Past error)>>Error was detected in the data link connector branch line circuit (CAN communication circuit 1 side). Refer to [LAN-47, "System Diagram"](#).

NO >> GO TO 3.

3. CHECK HARNESS CONTINUITY (OPEN CIRCUIT)

1. Disconnect the harness connector M23.
2. Check the continuity between the data link connector and the harness connector.

Data link connector		Harness connector		Continuity
Connector No.	Terminal No.	Connector No.	Terminal No.	
M182	6	M23	151	Existed
	14		150	Existed

Is the inspection result normal?

YES >> Replace the PCB harness.

NO >> Repair the harness between the data link connector M182 and the harness connector M23.

DLC BRANCH LINE CIRCUIT (CAN COMMUNICATION CIRCUIT 2)

< DTC/CIRCUIT DIAGNOSIS >

[CAN SYSTEM (TYPE 12)]

DLC BRANCH LINE CIRCUIT (CAN COMMUNICATION CIRCUIT 2)

Diagnosis Procedure

INFOID:000000007205697

1. CHECK CONNECTOR

1. Turn the ignition switch OFF.
2. Disconnect the battery cable from the negative terminal.
3. Check the following terminals and connectors for damage, bend and loose connection (unit side and connector side).
 - Data link connector
 - Harness connector M181
 - Harness connector M105
 - Harness connector M23 and PCB harness side connector

Is the inspection result normal?

YES >> GO TO 2.

NO >> Repair the terminal and connector.

2. CHECK HARNESS FOR OPEN CIRCUIT

Check the resistance between the data link connector terminals.

Data link connector			Resistance (Ω)
Connector No.	Terminal No.		
M182	13	12	Approx. 54 – 66

Is the measurement value within the specification?

YES (Present error)>>Check CAN system type decision again.

YES (Past error)>>Error was detected in the data link connector branch line circuit (CAN communication circuit 2 side). Refer to [LAN-47. "System Diagram"](#).

NO >> GO TO 3.

3. CHECK HARNESS CONTINUITY (OPEN CIRCUIT)

1. Disconnect the harness connector M23.
2. Check the continuity between the data link connector and the harness connector.

Data link connector		Harness connector		Continuity
Connector No.	Terminal No.	Connector No.	Terminal No.	
M182	13	M23	140	Existed
	12		139	Existed

Is the inspection result normal?

YES >> Replace the PCB harness.

NO >> Repair the harness between the data link connector M182 and the harness connector M23.

A
B
C
D
E
F
G
H
I
J
K
L
N
O
P

LAN

BCM BRANCH LINE CIRCUIT

< DTC/CIRCUIT DIAGNOSIS >

[CAN SYSTEM (TYPE 12)]

BCM BRANCH LINE CIRCUIT

Diagnosis Procedure

INFOID:000000006889095

1. CHECK CONNECTOR

1. Turn the ignition switch OFF.
2. Disconnect the battery cable from the negative terminal.
3. Check the following terminals and connectors for damage, bend and loose connection (unit side and connector side).
 - BCM
 - Harness connector M22 and PCB harness side connector

Is the inspection result normal?

YES >> GO TO 2.

NO >> Repair the terminal and connector.

2. CHECK HARNESS FOR OPEN CIRCUIT

1. Disconnect the connector of BCM.
2. Check the resistance between the BCM harness connector terminals.

BCM harness connector			Resistance (Ω)
Connector No.	Terminal No.		
M120	39	40	Approx. 54 – 66

Is the measurement value within the specification?

YES >> GO TO 3.

NO >> GO TO 4.

3. CHECK POWER SUPPLY AND GROUND CIRCUIT

Check the power supply and the ground circuit of the BCM. Refer to [BCS-75. "Diagnosis Procedure"](#).

Is the inspection result normal?

YES (Present error)>>Replace the BCM. Refer to [BCS-82. "Removal and Installation"](#).

YES (Past error)>>Error was detected in the BCM branch line.

NO >> Repair the power supply and the ground circuit.

4. CHECK HARNESS CONTINUITY (OPEN CIRCUIT)

1. Disconnect the harness connector M22.
2. Check the continuity between the BCM harness connector and the harness connector.

BCM harness connector		Harness connector		Continuity
Connector No.	Terminal No.	Connector No.	Terminal No.	
M120	39	M22	101	Existed
	40		102	Existed

Is the inspection result normal?

YES >> Replace the PCB harness.

NO >> Repair the harness between the BCM harness connector M120 and the harness connector M22.

STRG BRANCH LINE CIRCUIT

< DTC/CIRCUIT DIAGNOSIS >

[CAN SYSTEM (TYPE 12)]

STRG BRANCH LINE CIRCUIT

Diagnosis Procedure

INFOID:000000006889096

1. CHECK CONNECTOR

1. Turn the ignition switch OFF.
2. Disconnect the battery cable from the negative terminal.
3. Check the following terminals and connectors for damage, bend and loose connection (unit side and connector side).
 - Steering angle sensor
 - Harness connector M22 and PCB harness side connector

Is the inspection result normal?

YES >> GO TO 2.

NO >> Repair the terminal and connector.

2. CHECK HARNESS FOR OPEN CIRCUIT

1. Disconnect the connector of steering angle sensor.
2. Check the resistance between the steering angle sensor harness connector terminals.

Steering angle sensor harness connector			Resistance (Ω)
Connector No.	Terminal No.		
M37	1	2	Approx. 54 – 66

Is the measurement value within the specification?

YES >> GO TO 3.

NO >> GO TO 4.

3. CHECK POWER SUPPLY AND GROUND CIRCUIT

Check the power supply and the ground circuit of the steering angle sensor. Refer to [BRC-53. "Wiring Diagram"](#).

Is the inspection result normal?

YES (Present error)>>Replace the steering angle sensor. Refer to [BRC-144. "Removal and Installation"](#).

YES (Past error)>>Error was detected in the steering angle sensor branch line.

NO >> Repair the power supply and the ground circuit.

4. CHECK HARNESS CONTINUITY (OPEN CIRCUIT)

1. Disconnect the harness connector M22.
2. Check the continuity between the steering angle sensor harness connector and the harness connector.

Steering angle sensor harness connector		Harness connector		Continuity
Connector No.	Terminal No.	Connector No.	Terminal No.	
M37	1	M22	81	Existed
	2		82	Existed

Is the inspection result normal?

YES >> Replace the PCB harness.

NO >> Repair the harness between the steering angle sensor harness connector M37 and the harness connector M22.

A
B
C
D
E
F
G
H
I
J
K
L
N
O
P

LAN

4WD BRANCH LINE CIRCUIT

< DTC/CIRCUIT DIAGNOSIS >

[CAN SYSTEM (TYPE 12)]

4WD BRANCH LINE CIRCUIT

Diagnosis Procedure

INFOID:000000006889097

1. CHECK CONNECTOR

1. Turn the ignition switch OFF.
2. Disconnect the battery cable from the negative terminal.
3. Check the terminals and connectors of the AWD control unit for damage, bend and loose connection (unit side and connector side).

Is the inspection result normal?

- YES >> GO TO 2.
NO >> Repair the terminal and connector.

2. CHECK HARNESS FOR OPEN CIRCUIT

1. Disconnect the connector of AWD control unit.
2. Check the resistance between the AWD control unit harness connector terminals.

AWD control unit harness connector			Resistance (Ω)
Connector No.	Terminal No.		
B17	8	16	Approx. 54 – 66

Is the measurement value within the specification?

- YES >> GO TO 3.
NO >> Repair the AWD control unit branch line.

3. CHECK POWER SUPPLY AND GROUND CIRCUIT

Check the power supply and the ground circuit of the AWD control unit. Refer to [DLN-42, "Diagnosis Procedure"](#).

Is the inspection result normal?

- YES (Present error)>>Replace the AWD control unit. Refer to [DLN-54, "Removal and Installation"](#).
YES (Past error)>>Error was detected in the AWD control unit branch line.
NO >> Repair the power supply and the ground circuit.

ABS BRANCH LINE CIRCUIT

< DTC/CIRCUIT DIAGNOSIS >

[CAN SYSTEM (TYPE 12)]

ABS BRANCH LINE CIRCUIT

Diagnosis Procedure

INFOID:000000006889098

1. CHECK CONNECTOR

1. Turn the ignition switch OFF.
2. Disconnect the battery cable from the negative terminal.
3. Check the terminals and connectors of the ABS actuator and electric unit (control unit) for damage, bend and loose connection (unit side and connector side).

Is the inspection result normal?

- YES >> GO TO 2.
NO >> Repair the terminal and connector.

2. CHECK HARNESS FOR OPEN CIRCUIT

1. Disconnect the connector of ABS actuator and electric unit (control unit).
2. Check the resistance between the ABS actuator and electric unit (control unit) harness connector terminals.

ABS actuator and electric unit (control unit) harness connector			Resistance (Ω)
Connector No.	Terminal No.		
E41	25	15	Approx. 54 – 66

Is the measurement value within the specification?

- YES >> GO TO 3.
NO >> Repair the ABS actuator and electric unit (control unit) branch line.

3. CHECK POWER SUPPLY AND GROUND CIRCUIT

Check the power supply and the ground circuit of the ABS actuator and electric unit (control unit). Refer to [BRC-119, "Diagnosis Procedure"](#).

Is the inspection result normal?

- YES (Present error)>>Replace the ABS actuator and electric unit (control unit). Refer to [BRC-141, "Removal and Installation"](#).
YES (Past error)>>Error was detected in the ABS actuator and electric unit (control unit) branch line.
NO >> Repair the power supply and the ground circuit.

A
B
C
D
E
F
G
H
I
J
K
L

LAN

AFS BRANCH LINE CIRCUIT

Diagnosis Procedure

INFOID:000000006889099

1. CHECK CONNECTOR

1. Turn the ignition switch OFF.
2. Disconnect the battery cable from the negative terminal.
3. Check the terminals and connectors of the AFS control unit for damage, bend and loose connection (unit side and connector side).

Is the inspection result normal?

- YES >> GO TO 2.
 NO >> Repair the terminal and connector.

2. CHECK HARNESS FOR OPEN CIRCUIT

1. Disconnect the connector of AFS control unit.
2. Check the resistance between the AFS control unit harness connector terminals.

AFS control unit harness connector			Resistance (Ω)
Connector No.	Terminal No.		
E104	30	7	Approx. 54 – 66

Is the measurement value within the specification?

- YES >> GO TO 3.
 NO >> Repair the AFS control unit branch line.

3. CHECK POWER SUPPLY AND GROUND CIRCUIT

Check the power supply and the ground circuit of the AFS control unit. Refer to [EXL-72, "AFS CONTROL UNIT : Diagnosis Procedure"](#).

Is the inspection result normal?

- YES (Present error)>>Replace the AFS control unit. Refer to [EXL-114, "Removal and Installation"](#).
 YES (Past error)>>Error was detected in the AFS control unit branch line.
 NO >> Repair the power supply and the ground circuit.

IPDM-E BRANCH LINE CIRCUIT

< DTC/CIRCUIT DIAGNOSIS >

[CAN SYSTEM (TYPE 12)]

IPDM-E BRANCH LINE CIRCUIT

Diagnosis Procedure

INFOID:000000006889100

1. CHECK CONNECTOR

1. Turn the ignition switch OFF.
2. Disconnect the battery cable from the negative terminal.
3. Check the terminals and connectors of the IPDM E/R for damage, bend and loose connection (unit side and connector side).

Is the inspection result normal?

- YES >> GO TO 2.
NO >> Repair the terminal and connector.

2. CHECK HARNESS FOR OPEN CIRCUIT

1. Disconnect the connector of IPDM E/R.
2. Check the resistance between the IPDM E/R harness connector terminals.

IPDM E/R harness connector			Resistance (Ω)
Connector No.	Terminal No.		
E6	40	39	Approx. 108 – 132

Is the measurement value within the specification?

- YES >> GO TO 3.
NO >> Repair the IPDM E/R branch line.

3. CHECK POWER SUPPLY AND GROUND CIRCUIT

Check the power supply and the ground circuit of the IPDM E/R. Refer to [PCS-32, "Diagnosis Procedure"](#).

Is the inspection result normal?

- YES (Present error)>>Replace the IPDM E/R. Refer to [PCS-33, "Removal and Installation"](#).
YES (Past error)>>Error was detected in the IPDM E/R branch line.
NO >> Repair the power supply and the ground circuit.

A
B
C
D
E
F
G
H
I
J
K
L

LAN

N
O
P

ADP BRANCH LINE CIRCUIT

Diagnosis Procedure

INFOID:000000007205700

1. CHECK CONNECTOR

1. Turn the ignition switch OFF.
2. Disconnect the battery cable from the negative terminal.
3. Check the following terminals and connectors for damage, bend and loose connection (unit side and connector side).
 - Driver seat control unit
 - Harness connector B501
 - Harness connector B11
 - CAN gateway (With ICC system)

Is the inspection result normal?

- YES (With ICC system)>>GO TO 2.
 YES (Without ICC system)>>GO TO 3.
 NO >> Repair the terminal and connector.

2. CHECK HARNESS CONTINUITY (OPEN CIRCUIT)

1. Disconnect the connector of CAN gateway.
2. Check the continuity between the CAN gateway harness connector terminals.

CAN gateway harness connector			Continuity
Connector No.	Terminal No.		
M125	4	6	Existed
	10	12	Existed

Is the inspection result normal?

- YES >> GO TO 3.
 NO >> Check the harness and repair or replace (if shield line is open) the root cause (CAN communication circuit 2 side). Refer to [LAN-47, "System Diagram"](#).

3. CHECK HARNESS FOR OPEN CIRCUIT

1. Connect the connector of CAN gateway. (With ICC system)
2. Disconnect the connector of driver seat control unit.
3. Check the resistance between the driver seat control unit harness connector terminals.

Driver seat control unit harness connector			Resistance (Ω)
Connector No.	Terminal No.		
B514	23	24	Approx. 54 – 66

Is the measurement value within the specification?

- YES >> GO TO 4.
 NO >> Repair the driver seat control unit branch line.

4. CHECK POWER SUPPLY AND GROUND CIRCUIT

Check the power supply and the ground circuit of the driver seat control unit. Refer to [ADP-61, "DRIVER SEAT CONTROL UNIT : Diagnosis Procedure"](#).

Is the inspection result normal?

- YES (Present error)>>Replace the driver seat control unit. Refer to [ADP-134, "Removal and Installation"](#).
 YES (Past error)>>Error was detected in the driver seat control unit branch line.
 NO >> Repair the power supply and the ground circuit.

ICC BRANCH LINE CIRCUIT

Diagnosis Procedure

INFOID:000000007205701

1. CHECK CONNECTOR

1. Turn the ignition switch OFF.
2. Disconnect the battery cable from the negative terminal.
3. Check the following terminals and connectors for damage, bend and loose connection (unit side and connector side).
 - ADAS control unit
 - CAN gateway

Is the inspection result normal?

- YES >> GO TO 2.
 NO >> Repair the terminal and connector.

2. CHECK HARNESS CONTINUITY (OPEN CIRCUIT)

1. Disconnect the connector of CAN gateway.
2. Check the continuity between the CAN gateway harness connector terminals.

CAN gateway harness connector		Continuity
Connector No.	Terminal No.	
M125	4	6
	10	12
		Existed
		Existed

Is the inspection result normal?

- YES >> GO TO 3.
 NO >> Check the harness and repair or replace (if shield line is open) the root cause (CAN communication circuit 2 side). Refer to [LAN-47, "System Diagram"](#).

3. CHECK HARNESS FOR OPEN CIRCUIT

1. Connect the connector of CAN gateway.
2. Disconnect the connector of ADAS control unit.
3. Check the resistance between the ADAS control unit harness connector terminals.

ADAS control unit harness connector		Resistance (Ω)
Connector No.	Terminal No.	
B50	14	15
		Approx. 54 – 66

Is the measurement value within the specification?

- YES >> GO TO 4.
 NO >> Replace the body harness.

4. CHECK POWER SUPPLY AND GROUND CIRCUIT

Check the power supply and the ground circuit of the ADAS control unit. Refer to [DAS-54, "Diagnosis Procedure"](#).

Is the inspection result normal?

- YES (Present error)>>Replace the ADAS control unit. Refer to [DAS-55, "Removal and Installation"](#).
 YES (Past error)>>Error was detected in the ADAS control unit branch line.
 NO >> Repair the power supply and the ground circuit.

A
B
C
D
E
F
G
H
I
J
K
L
N
O
P

LAN

PSB BRANCH LINE CIRCUIT

Diagnosis Procedure

INFOID:000000007205702

1.CHECK CONNECTOR

1. Turn the ignition switch OFF.
2. Disconnect the battery cable from the negative terminal.
3. Check the following terminals and connectors for damage, bend and loose connection (unit side and connector side).
 - Pre-crash seat belt control unit (driver side)
 - CAN gateway

Is the inspection result normal?

- YES >> GO TO 2.
 NO >> Repair the terminal and connector.

2.CHECK HARNESS CONTINUITY (OPEN CIRCUIT)

1. Disconnect the connector of CAN gateway.
2. Check the continuity between the CAN gateway harness connector terminals.

CAN gateway harness connector		Continuity	
Connector No.	Terminal No.		
M125	4	6	Existed
	10	12	Existed

Is the inspection result normal?

- YES >> GO TO 3.
 NO >> Check the harness and repair or replace (if shield line is open) the root cause (CAN communication circuit 2 side). Refer to [LAN-47, "System Diagram"](#).

3.CHECK HARNESS FOR OPEN CIRCUIT

1. Connect the connector of CAN gateway.
2. Disconnect the connector of pre-crash seat belt control unit (driver side).
3. Check the resistance between the pre-crash seat belt control unit (driver side) harness connector terminals.

Pre-crash seat belt control unit (driver side) harness connector		Resistance (Ω)	
Connector No.	Terminal No.		
B9	14	4	Approx. 54 – 66

Is the measurement value within the specification?

- YES >> GO TO 4.
 NO >> Repair the pre-crash seat belt control unit (driver side) branch line.

4.CHECK POWER SUPPLY AND GROUND CIRCUIT

Check the power supply and the ground circuit of the pre-crash seat belt control unit (driver side). Refer to [SBC-46, "Diagnosis Procedure"](#).

Is the inspection result normal?

- YES (Present error)>>Replace the seat belt pre-tensioner retractor (driver side). Refer to [SB-7, "SEAT BELT RETRACTOR : Removal and Installation"](#).
 YES (Past error)>>Error was detected in the pre-crash seat belt control unit (driver side) branch line.
 NO >> Repair the power supply and the ground circuit.

RDR-L BRANCH LINE CIRCUIT

< DTC/CIRCUIT DIAGNOSIS >

[CAN SYSTEM (TYPE 12)]

RDR-L BRANCH LINE CIRCUIT

Diagnosis Procedure

INFOID:000000006889104

1. CHECK CONNECTOR

1. Turn the ignition switch OFF.
2. Disconnect the battery cable from the negative terminal.
3. Check the terminals and connectors of the side radar LH for damage, bend and loose connection (unit side and connector side).

Is the inspection result normal?

- YES >> GO TO 2.
NO >> Repair the terminal and connector.

2. CHECK HARNESS FOR OPEN CIRCUIT

1. Disconnect the connector of side radar LH.
2. Check the resistance between the side radar LH harness connector terminals.

Side radar LH harness connector			Resistance (Ω)
Connector No.	Terminal No.		
B52	4	3	Approx. 54 – 66

Is the measurement value within the specification?

- YES >> GO TO 3.
NO >> Repair the side radar LH branch line.

3. CHECK POWER SUPPLY AND GROUND CIRCUIT

Check the power supply and the ground circuit of the side radar LH. Refer to [DAS-511, "SIDE RADAR LH: Diagnosis Procedure"](#).

Is the inspection result normal?

- YES (Present error)>>Replace the side radar LH. Refer to [DAS-528, "Removal and Installation"](#).
YES (Past error)>>Error was detected in the side radar LH branch line.
NO >> Repair the power supply and the ground circuit.

A
B
C
D
E
F
G
H
I
J
K
L

LAN

N
O
P

RDR-R BRANCH LINE CIRCUIT

< DTC/CIRCUIT DIAGNOSIS >

[CAN SYSTEM (TYPE 12)]

RDR-R BRANCH LINE CIRCUIT

Diagnosis Procedure

INFOID:000000006889105

1. CHECK CONNECTOR

1. Turn the ignition switch OFF.
2. Disconnect the battery cable from the negative terminal.
3. Check the terminals and connectors of the side radar RH for damage, bend and loose connection (unit side and connector side).

Is the inspection result normal?

- YES >> GO TO 2.
NO >> Repair the terminal and connector.

2. CHECK RIGHT/LEFT SWITCHING SIGNAL CIRCUIT

Check the right/left switching signal circuit of the side radar RH. Refer to [DAS-514. "Diagnosis Procedure"](#).

Is the inspection result normal?

- YES >> GO TO 3.
NO >> Repair the root cause.

3. CHECK HARNESS FOR OPEN CIRCUIT

1. Disconnect the connector of side radar RH.
2. Check the resistance between the side radar RH harness connector terminals.

Side radar RH harness connector			Resistance (Ω)
Connector No.	Terminal No.		
B252	4	3	Approx. 54 – 66

Is the measurement value within the specification?

- YES >> GO TO 4.
NO >> Repair the side radar RH branch line.

4. CHECK POWER SUPPLY AND GROUND CIRCUIT

Check the power supply and the ground circuit of the side radar RH. Refer to [DAS-512. "SIDE RADAR RH : Diagnosis Procedure"](#).

Is the inspection result normal?

- YES (Present error)>>Replace the side radar RH. Refer to [DAS-528. "Removal and Installation"](#).
YES (Past error)>>Error was detected in the side radar RH branch line.
NO >> Repair the power supply and the ground circuit.

APA BRANCH LINE CIRCUIT

< DTC/CIRCUIT DIAGNOSIS >

[CAN SYSTEM (TYPE 12)]

APA BRANCH LINE CIRCUIT

Diagnosis Procedure

INFOID:000000006889106

1. CHECK CONNECTOR

1. Turn the ignition switch OFF.
2. Disconnect the battery cable from the negative terminal.
3. Check the following terminals and connectors for damage, bend and loose connection (unit side and connector side).
 - Accelerator pedal actuator
 - Harness connector M151
 - Harness connector M150
 - Harness connector M23 and PCB harness side connector

Is the inspection result normal?

YES >> GO TO 2.

NO >> Repair the terminal and connector.

2. CHECK HARNESS FOR OPEN CIRCUIT

1. Disconnect the connector of accelerator pedal actuator.
2. Check the resistance between the accelerator pedal actuator harness connector terminals.

Accelerator pedal actuator harness connector			Resistance (Ω)
Connector No.	Terminal No.		
M152	5	4	Approx. 54 – 66

Is the measurement value within the specification?

YES >> GO TO 3.

NO >> GO TO 4.

3. CHECK POWER SUPPLY AND GROUND CIRCUIT

Check the power supply and the ground circuit of the accelerator pedal actuator. Refer to [DAS-178, "ACCELERATOR PEDAL ACTUATOR : Diagnosis Procedure"](#).

Is the inspection result normal?

YES (Present error)>>Replace the accelerator pedal assembly. Refer to [ACC-4, "MODELS WITH DISTANCE CONTROL ASSIST SYSTEM : Removal and Installation"](#).

YES (Past error)>>Error was detected in the accelerator pedal actuator branch line.

NO >> Repair the power supply and the ground circuit.

4. CHECK HARNESS CONTINUITY (OPEN CIRCUIT)

1. Disconnect the harness connector M23.
2. Check the continuity between the accelerator pedal actuator harness connector and the harness connector.

Accelerator pedal actuator harness connector		Harness connector		Continuity
Connector No.	Terminal No.	Connector No.	Terminal No.	
M152	5	M23	138	Existed
	4		137	Existed

Is the inspection result normal?

YES >> Replace the PCB harness.

NO >> Repair the harness between the accelerator pedal actuator harness connector M152 and the harness connector M23.

LANE BRANCH LINE CIRCUIT

< DTC/CIRCUIT DIAGNOSIS >

[CAN SYSTEM (TYPE 12)]

LANE BRANCH LINE CIRCUIT

Diagnosis Procedure

INFOID:000000006889107

1. CHECK CONNECTOR

1. Turn the ignition switch OFF.
2. Disconnect the battery cable from the negative terminal.
3. Check the following terminals and connectors for damage, bend and loose connection (unit side and connector side).
 - Lane camera unit
 - Harness connector R7
 - Harness connector M110
 - Harness connector M24 and PCB harness side connector

Is the inspection result normal?

YES >> GO TO 2.

NO >> Repair the terminal and connector.

2. CHECK HARNESS FOR OPEN CIRCUIT

1. Disconnect the connector of lane camera unit.
2. Check the resistance between the lane camera unit harness connector terminals.

Lane camera unit harness connector			Resistance (Ω)
Connector No.	Terminal No.		
R8	4	8	Approx. 54 – 66

Is the measurement value within the specification?

YES >> GO TO 3.

NO >> GO TO 4.

3. CHECK POWER SUPPLY AND GROUND CIRCUIT

Check the power supply and the ground circuit of the lane camera unit. Refer to [DAS-355, "LANE CAMERA UNIT : Diagnosis Procedure"](#).

Is the inspection result normal?

YES (Present error)>>Replace the lane camera unit. Refer to [DAS-371, "Removal and Installation"](#).

YES (Past error)>>Error was detected in the lane camera unit branch line.

NO >> Repair the power supply and the ground circuit.

4. CHECK HARNESS CONTINUITY (OPEN CIRCUIT)

1. Disconnect the harness connector M24.
2. Check the continuity between the lane camera unit harness connector and the harness connector.

Lane camera unit harness connector		Harness connector		Continuity
Connector No.	Terminal No.	Connector No.	Terminal No.	
R8	4	M24	179	Existed
	8		178	Existed

Is the inspection result normal?

YES >> Replace the PCB harness.

NO >> Repair the harness between the lane camera unit harness connector R8 and the harness connector M24.

LASER BRANCH LINE CIRCUIT

< DTC/CIRCUIT DIAGNOSIS >

[CAN SYSTEM (TYPE 12)]

LASER BRANCH LINE CIRCUIT

Diagnosis Procedure

INFOID:000000006889108

1. CHECK CONNECTOR

1. Turn the ignition switch OFF.
2. Disconnect the battery cable from the negative terminal.
3. Check the following terminals and connectors for damage, bend and loose connection (unit side and connector side).
 - ICC sensor
 - Harness connector E106
 - Harness connector M6
 - Harness connector M28 and PCB harness side connector

Is the inspection result normal?

YES >> GO TO 2.

NO >> Repair the terminal and connector.

2. CHECK HARNESS FOR OPEN CIRCUIT

1. Disconnect the connector of ICC sensor.
2. Check the resistance between the ICC sensor harness connector terminals.

ICC sensor harness connector			Resistance (Ω)
Connector No.	Terminal No.		
E67	3	6	Approx. 108 – 132

Is the measurement value within the specification?

YES >> GO TO 3.

NO >> GO TO 4.

3. CHECK POWER SUPPLY AND GROUND CIRCUIT

Check the power supply and the ground circuit of the ICC sensor. Refer to [CCS-152, "ICC SENSOR : Diagnosis Procedure"](#).

Is the inspection result normal?

YES (Present error)>>Replace the ICC sensor. Refer to [CCS-170, "Removal and Installation"](#).

YES (Past error)>>Error was detected in the ICC sensor branch line.

NO >> Repair the power supply and the ground circuit.

4. CHECK HARNESS CONTINUITY (OPEN CIRCUIT)

1. Disconnect the harness connector M28.
2. Check the continuity between the ICC sensor harness connector and the harness connector.

ICC sensor harness connector		Harness connector		Continuity
Connector No.	Terminal No.	Connector No.	Terminal No.	
E67	3	M28	343	Existed
	6		345	Existed

Is the inspection result normal?

YES >> Replace the PCB harness.

NO >> Repair the harness between the ICC sensor harness connector E67 and the harness connector M28.

A
B
C
D
E
F
G
H
I
J
K
L
N
O
P

LAN

CAN COMMUNICATION CIRCUIT 1

< DTC/CIRCUIT DIAGNOSIS >

[CAN SYSTEM (TYPE 12)]

CAN COMMUNICATION CIRCUIT 1

Diagnosis Procedure

INFOID:000000006889109

1. CONNECTOR INSPECTION

1. Turn the ignition switch OFF.
2. Disconnect the battery cable from the negative terminal.
3. Disconnect all the unit connectors on CAN communication circuit 1.

NOTE:

For identification of CAN communication circuit 1, CAN communication circuit 2, and ITS communication circuit, refer to [LAN-47. "System Diagram"](#).

4. Check terminals and connectors for damage, bend and loose connection.

Is the inspection result normal?

YES >> GO TO 2.

NO >> Repair the terminal and connector.

2. CHECK HARNESS CONTINUITY (SHORT CIRCUIT)

Check the continuity between the data link connector terminals.

Data link connector		Continuity
Connector No.	Terminal No.	
M182	6 14	Not existed

Is the inspection result normal?

YES >> GO TO 3.

NO >> Check the harness and repair or replace (if shield line or PCB harness is short) the root cause.

3. CHECK HARNESS CONTINUITY (SHORT CIRCUIT)

Check the continuity between the data link connector and the ground.

Data link connector		Ground	Continuity
Connector No.	Terminal No.		
M182	6		Not existed
	14		Not existed

Is the inspection result normal?

YES >> GO TO 4.

NO >> Check the harness and repair or replace (if shield line or PCB harness is short) the root cause.

4. CHECK ECM AND IPDM E/R TERMINATION CIRCUIT

1. Remove the ECM and the IPDM E/R.
2. Check the resistance between the ECM terminals.
 - VQ37VHR

ECM		Resistance (Ω)
Terminal No.		
114	113	Approx. 108 – 132

- VK56VD

ECM		Resistance (Ω)
Terminal No.		
146	151	Approx. 108 – 132

3. Check the resistance between the IPDM E/R terminals.

CAN COMMUNICATION CIRCUIT 1

< DTC/CIRCUIT DIAGNOSIS >

[CAN SYSTEM (TYPE 12)]

IPDM E/R		Resistance (Ω)
Terminal No.		
40	39	Approx. 108 – 132

Is the measurement value within the specification?

YES >> GO TO 5.

NO >> Replace the ECM and/or the IPDM E/R.

5.CHECK SYMPTOM

Connect all the connectors. Check if the symptoms described in the “Symptom (Results from interview with customer)” are reproduced.

Inspection result

Reproduced>>GO TO 6.

Non-reproduced>>Start the diagnosis again. Follow the trouble diagnosis procedure when past error is detected.

6.CHECK UNIT REPRODUCTION

Perform the reproduction test as per the following procedure for each unit.

1. Turn the ignition switch OFF.
2. Disconnect the battery cable from the negative terminal.
3. Disconnect one of the unit connectors of CAN communication circuit 1.

NOTE:

ECM and IPDM E/R have a termination circuit. Check other units first.

4. Connect the battery cable to the negative terminal. Check if the symptoms described in the “Symptom (Results from interview with customer)” are reproduced.

NOTE:

Although unit-related error symptoms occur, do not confuse them with other symptoms.

Inspection result

Reproduced>>Connect the connector. Check other units as per the above procedure.

Non-reproduced>>Replace the unit whose connector was disconnected.

A
B
C
D
E
F
G
H
I
J
K
L

LAN

N
O
P

CAN COMMUNICATION CIRCUIT 2

< DTC/CIRCUIT DIAGNOSIS >

[CAN SYSTEM (TYPE 12)]

CAN COMMUNICATION CIRCUIT 2

Diagnosis Procedure

INFOID:000000006889110

1.CONNECTOR INSPECTION

1. Turn the ignition switch OFF.
2. Disconnect the battery cable from the negative terminal.
3. Disconnect all the unit connectors on CAN communication circuit 2.

NOTE:

For identification of CAN communication circuit 1, CAN communication circuit 2, and ITS communication circuit, refer to [LAN-47. "System Diagram"](#).

4. Check terminals and connectors for damage, bend and loose connection.

Is the inspection result normal?

YES >> GO TO 2.

NO >> Repair the terminal and connector.

2.CHECK HARNESS CONTINUITY (SHORT CIRCUIT)

Check the continuity between the data link connector terminals.

Data link connector		Continuity
Connector No.	Terminal No.	
M182	13	Not existed
	12	

Is the inspection result normal?

YES >> GO TO 3.

NO >> Check the harness and repair or replace (if shield line or PCB harness is short) the root cause.

3.CHECK HARNESS CONTINUITY (SHORT CIRCUIT)

Check the continuity between the data link connector and the ground.

Data link connector		Ground	Continuity
Connector No.	Terminal No.		
M182	13		Not existed
	12		Not existed

Is the inspection result normal?

YES >> GO TO 4.

NO >> Check the harness and repair or replace (if shield line or PCB harness is short) the root cause.

4.CHECK CAN GATEWAY TERMINATION CIRCUIT

1. Remove the CAN gateway.
2. Check the resistance between the CAN gateway terminals.

CAN gateway		Resistance (Ω)
Terminal No.		
4	10	Approx. 108 – 132
6	12	Approx. 108 – 132

Is the measurement value within the specification?

YES >> GO TO 5.

NO >> Replace the CAN gateway.

5.CHECK SYMPTOM

Connect all the connectors. Check if the symptoms described in the "Symptom (Results from interview with customer)" are reproduced.

Inspection result

Reproduced>>GO TO 6.

CAN COMMUNICATION CIRCUIT 2

< DTC/CIRCUIT DIAGNOSIS >

[CAN SYSTEM (TYPE 12)]

Non-reproduced>>Start the diagnosis again. Follow the trouble diagnosis procedure when past error is detected.

6.CHECK UNIT REPRODUCTION

Perform the reproduction test as per the following procedure for each unit.

1. Turn the ignition switch OFF.
2. Disconnect the battery cable from the negative terminal.
3. Disconnect one of the unit connectors of CAN communication circuit 2.

NOTE:

CAN gateway has two termination circuits. Check other units first.

4. Connect the battery cable to the negative terminal. Check if the symptoms described in the "Symptom (Results from interview with customer)" are reproduced.

NOTE:

Although unit-related error symptoms occur, do not confuse them with other symptoms.

Inspection result

Reproduced>>Connect the connector. Check other units as per the above procedure.

Non-reproduced>>Replace the unit whose connector was disconnected.

A
B
C
D
E
F
G
H
I
J
K
L

LAN

N
O
P

ITS COMMUNICATION CIRCUIT

< DTC/CIRCUIT DIAGNOSIS >

[CAN SYSTEM (TYPE 12)]

ITS COMMUNICATION CIRCUIT

Diagnosis Procedure

INFOID:000000007205703

1. CHECK CAN DIAGNOSIS

Check the CAN diagnosis results from CONSULT to see that the CAN communication circuit 1 and CAN communication circuit 2 have no malfunction.

NOTE:

For identification of CAN communication circuit 1, CAN communication circuit 2, and ITS communication circuit, refer to [LAN-47. "System Diagram"](#).

Are the CAN communication 1 and CAN communication 2 circuits normal?

YES >> GO TO 2.

NO >> Check and repair CAN communication circuit 1 and/or CAN communication circuit 2.

2. CONNECTOR INSPECTION

1. Turn the ignition switch OFF.
2. Disconnect the battery cable from the negative terminal.
3. Check the terminals and connectors of the ADAS control unit for damage, bend and loose connection (unit side and connector side).

Is the inspection result normal?

YES >> GO TO 3.

NO >> Repair the terminal and connector.

3. CHECK HARNESS CONTINUITY (OPEN CIRCUIT)

1. Disconnect the following harness connectors.
 - ADAS control unit
 - ICC sensor
2. Check the continuity between the ADAS control unit harness connector and the ICC sensor harness connector.

ADAS control unit harness connector		ICC sensor harness connector		Continuity
Connector No.	Terminal No.	Connector No.	Terminal No.	
B50	7	E67	3	Existed
	8		6	Existed

Is the inspection result normal?

YES >> GO TO 4.

NO >> Replace the body harness.

4. CHECK HARNESS CONTINUITY (SHORT CIRCUIT)

1. Disconnect the following harness connectors.
 - Side radar LH
 - Side radar RH
 - Accelerator pedal actuator
 - Lane camera unit
2. Check the continuity between the ADAS control unit harness connector terminals.

ADAS control unit harness connector			Continuity
Connector No.	Terminal No.		
B50	7	8	Not existed

Is the inspection result normal?

YES >> GO TO 5.

NO >> Check the harness and repair or replace (if shield line or PCB harness is short) the root cause.

5. CHECK HARNESS CONTINUITY (SHORT CIRCUIT)

Check the continuity between the ADAS control unit harness connector and the ground.

ITS COMMUNICATION CIRCUIT

< DTC/CIRCUIT DIAGNOSIS >

[CAN SYSTEM (TYPE 12)]

ADAS control unit harness connector		Ground	Continuity
Connector No.	Terminal No.		
B50	7		Not existed
	8		Not existed

A
B

Is the inspection result normal?

YES >> GO TO 6.

NO >> Check the harness and repair or replace (if shield line or PCB harness is short) the root cause.

C

6.CHECK TERMINATION CIRCUIT

1. Remove the ADAS control unit and the ICC sensor.
2. Check the resistance between the ADAS control unit terminals.

D

ADAS control unit		Resistance (Ω)
Terminal No.		
7	8	Approx. 108 – 132

E
F

3. Check the resistance between the ICC sensor terminals.

ICC sensor		Resistance (Ω)
Terminal No.		
3	6	Approx. 108 – 132

G
H

Is the inspection result normal?

YES >> GO TO 7.

NO >> Replace the ADAS control unit and/or the ICC sensor.

I

7.CHECK SYMPTOM

Connect all the connectors. Check if the symptoms described in the “Symptom (Results from interview with customer)” are reproduced.

J

Inspection result

Reproduced>>GO TO 8.

Non-reproduced>>Start the diagnosis again. Follow the trouble diagnosis procedure when past error is detected.

K

8.CHECK UNIT REPRODUCTION

Perform the reproduction test as per the following procedure for each unit.

L

1. Turn the ignition switch OFF.
2. Disconnect the battery cable from the negative terminal.
3. Disconnect one of the unit connectors of ITS communication system.

NOTE:

ADAS control unit and ICC sensor have a termination circuit. Check other units first.

4. Connect the battery cable to the negative terminal. Check if the symptoms described in the “Symptom (Results from interview with customer)” are reproduced.

N

NOTE:

Although unit-related error symptoms occur, do not confuse them with other symptoms.

O

Inspection result

Reproduced>>Connect the connector. Check other units as per the above procedure.

Non-reproduced>>Replace the unit whose connector was disconnected.

P

LAN